

# HCD-DX155/DX255

## SERVICE MANUAL



Ver. 1.4 2007.10



Photo : HCD-DX255

US Model  
Canadian Model  
HCD-DX155/DX255  
E Model  
Australian Model  
HCD-DX155

www.DataSheet4U.com

HCD-DX155/DX255 are the amplifier, DVD/CD and tuner section in DAV-DX155/DX255.

This system incorporates with Dolby\*<sup>1</sup> Digital and Dolby Pro Logic (II) adaptive matrix surround decoder and the DTS\*<sup>2</sup> Digital Surround System.

\*1 Manufactured under license from Dolby Laboratories. "Dolby," "Pro Logic," and the double-D symbol are trademarks of Dolby Laboratories.

\*2 Manufactured under license from Digital Theater Systems, Inc. "DTS" and "DTS Digital Surround" are trademarks of Digital Theater Systems, Inc.

Model Name Using Similar Mechanism	HCD-DX150
Mechanism Type	CDM81C-DVBU101
Optical Pick-up Name	KHM-310CAB

### SPECIFICATIONS

#### AUDIO POWER SPECIFICATIONS

for the US model

##### DX155

POWER OUTPUT AND TOTAL HARMONIC DISTORTION

(FTC Output Power): FL/FR/LS/RS/C: 84 W/ch  
3 ohm at 170 - 20,000 Hz,  
0.7 % THD  
SW: 80 W 3 ohm at 40 -  
170 Hz, 0.7 % THD

##### DX255

POWER OUTPUT AND TOTAL HARMONIC DISTORTION

(FTC Output Power): FL/FR/LS/RS/C: 84 W/ch  
3 ohm at 170 - 20,000 Hz,  
0.7 % THD  
SW: 160 W 1.5 ohm at 40 -  
170 Hz, 0.7 % THD

#### Amplifier section

##### DX155

US models:

Surround mode (reference) RMS output power, 10 % THD  
Front: 142 W + 142 W  
(with SS-TS52)

Mexican and other models:

Stereo mode (rated) 108 W + 108 W (3 ohms at 1 kHz, 1 % THD)

Surround mode (reference) RMS output power, 10 % THD

Center\*: 142 W  
(with SS-CT51)  
Surround\*: 142 W + 142 W  
(with SS-TS51)  
Subwoofer\*: 140 W  
(with SS-WS52)

Front: 142 W + 142 W  
(with SS-TS52)  
Center\*: 142 W  
(with SS-CT51)  
Surround\*: 142 W + 142 W  
(with SS-TS51)  
Subwoofer\*: 140 W  
(with SS-WS52)

Latin American models:

Stereo mode (rated) 100 W + 100 W (3 ohms at 1 kHz, 1 % THD)

Surround mode (reference) RMS output power, 10 % THD

Front: 133 W + 133 W  
(with SS-TS52)  
Center\*: 133 W  
(with SS-CT51)  
Surround\*: 133 W + 133 W  
(with SS-TS51)  
Subwoofer\*: 135 W  
(with SS-WS52)

##### DX255

US models:

Surround mode (reference) RMS output power, 10 % THD  
Front: 143 W + 143 W  
(with SS-TS52)  
Center\*: 143 W  
(with SS-CT51)  
Surround\*: 143 W + 143 W  
(with SS-TS51)  
Subwoofer\*: 285 W  
(with SS-WS52B)

— Continued on next page —

## SUPER AUDIO CD/DVD RECEIVER

9-887-098-05  
2007J16-1  
© 2007.10

Sony Corporation  
Audio Business Group  
Published by Sony Techno Create Corporation

SONY®

# HCD-DX155/DX255

## Other models:

Stereo mode (rated)	108 W + 108 W (3 ohms at 1 kHz, 1 % THD)
Surround mode (reference)	RMS output power, 10 % THD
	Front: 143 W + 143 W (with SS-TS52)
	Center*: 143 W (with SS-CT51)
	Surround*: 143 W + 143 W (with SS-TS51)
	Subwoofer*: 285 W (with SS-WS52B)

\* Depending on the sound field settings and the source, there may be no sound output.

## Inputs

TV/VCR (AUDIO IN)	Sensitivity: 450/250 mV
AUDIO IN/MIC	Sensitivity: 250/125 mV
Outputs (Analog)	
Phones	Accepts low-and high-impedance headphones.

## DVD system

Laser	Semiconductor laser (DVD: $\lambda = 650$ nm) (CD: $\lambda = 790$ nm) Emission duration: continuous
-------	--

## Signal format system

North American, Latin, and Mexican models:	NTSC
Other models:	NTSC/PAL

## Tuner section

System	PLL quartz-locked digital synthesizer system
FM tuner section	
Tuning range	
North American models:	87.5 – 108.0 MHz (100 kHz step)
Other models:	87.5 – 108.0 MHz (50 kHz step)
Antenna (aerial)	FM wire antenna (aerial)
Antenna (aerial) terminals	75 ohms, unbalanced
Intermediate frequency	10.7 MHz
AM tuner section	
Tuning range	
Middle Eastern models:	531-1,602 kHz (with the interval set at 9 kHz)
Asian models:	531-1,602 kHz (with the interval set at 9 kHz) 530-1,710 kHz (with the interval set at 10 kHz)
North American and Latin American models:	530-1,710 kHz (with the interval set at 10 kHz) 531-1,710 kHz (with the interval set at 9 kHz)
Antenna (aerial)	AM loop antenna (aerial)
Intermediate frequency	450 kHz

## Video section

Outputs	VIDEO: 1 V <sub>p-p</sub> 75 ohms S VIDEO: Y: 1 V <sub>p-p</sub> 75 ohms C: 0.286 V <sub>p-p</sub> 75 ohms COMPONENT: Y: 1 V <sub>p-p</sub> 75 ohms P <sub>B</sub> /C <sub>B</sub> , P <sub>R</sub> /C <sub>R</sub> : 0.7 V <sub>p-p</sub> 75 ohms
---------	--

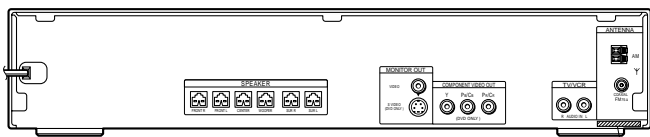
## General

Power requirements	
North American and Mexican models:	120 V AC, 60 Hz
Latin American models:	110 – 240 V AC, 50/60 Hz
Other models:	220 – 240 V AC, 50/60 Hz
Power consumption	On: 140 W (Latin American models of DX155), 150 W (Mexican and other models of DX155), 160 W (DX255) Standby: 0.3 W (at the Power Saving mode)
Dimensions (approx.)	430 × 86 × 418 mm (17 × 3 1/2 × 16 3/4 inches) (w/h/d) incl. projecting parts
Mass (approx.)	5.0 kg (11 lb 1 oz)

Design and specifications are subject to change without notice.

## MODEL IDENTIFICATION

### – Rear Panel –



Parts No.

Model	Part No.
DX155 : US model	2-661-240-0□
DX255 : US model	2-661-240-1□
DX155 : SP model	2-661-240-2□
DX155 : MX model	2-661-240-3□
DX155 : CND model	2-661-240-4□
DX255 : CND model	2-661-240-5□
DX155 : AUS model	2-661-240-6□
DX155 : E3 model	2-661-240-7□

### • Abbreviation

AUS	: Australian model
CND	: Canadian model
E3	: 240V AC area in E model
MX	: Mexican model
SP	: Singapore model

## SAFETY CHECK-OUT

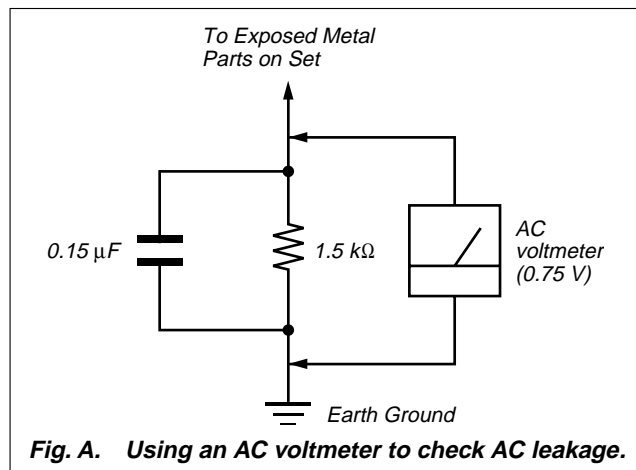
After correcting the original service problem, perform the following safety check before releasing the set to the customer:

Check the antenna terminals, metal trim, “metallized” knobs, screws, and all other exposed metal parts for AC leakage. Check leakage as described below.

## LEAKAGE TEST

The AC leakage from any exposed metal part to earth ground and from all exposed metal parts to any exposed metal part having a return to chassis, must not exceed 0.5 mA (500 microamperes.). Leakage current can be measured by any one of three methods.

1. A commercial leakage tester, such as the Simpson 229 or RCA WT-540A. Follow the manufacturers’ instructions to use these instruments.
2. A battery-operated AC milliammeter. The Data Precision 245 digital multimeter is suitable for this job.
3. Measuring the voltage drop across a resistor by means of a VOM or battery-operated AC voltmeter. The “limit” indication is 0.75 V, so analog meters must have an accurate low-voltage scale. The Simpson 250 and Sanwa SH-63Trd are examples of a passive VOM that is suitable. Nearly all battery operated digital multimeters that have a 2 V AC range are suitable. (See Fig. A)



## SAFETY-RELATED COMPONENT WARNING!!

COMPONENTS IDENTIFIED BY MARK  $\triangle$  OR DOTTED LINE WITH MARK  $\triangle$  ON THE SCHEMATIC DIAGRAMS AND IN THE PARTS LIST ARE CRITICAL TO SAFE OPERATION. REPLACE THESE COMPONENTS WITH SONY PARTS WHOSE PART NUMBERS APPEAR AS SHOWN IN THIS MANUAL OR IN SUPPLEMENTS PUBLISHED BY SONY.

## ATTENTION AU COMPOSANT AYANT RAPPORT À LA SÉCURITÉ!

LES COMPOSANTS IDENTIFIÉS PAR UNE MARQUE  $\triangle$  SUR LES DIAGRAMMES SCHÉMATIQUES ET LA LISTE DES PIÈCES SONT CRITIQUES POUR LA SÉCURITÉ DE FONCTIONNEMENT. NE REMPLACER CES COM- POSANTS QUE PAR DES PIÈCES SONY DONT LES NUMÉROS SONT DONNÉS DANS CE MANUEL OU DANS LES SUPPLÉMENTS PUBLIÉS PAR SONY.

Laser component in this product is capable of emitting radiation exceeding the limit for Class 1.



This appliance is classified as a CLASS 1 LASER product. This marking is located on the bottom exterior.

## CAUTION

Use of controls or adjustments or performance of procedures other than those specified herein may result in hazardous radiation exposure.

## Notes on chip component replacement

- Never reuse a disconnected chip component.
- Notice that the minus side of a tantalum capacitor may be damaged by heat.

## Flexible Circuit Board Repairing

- Keep the temperature of the soldering iron around 270 °C during repairing.
- Do not touch the soldering iron on the same conductor of the circuit board (within 3 times).
- Be careful not to apply force on the conductor when soldering or unsoldering.

## UNLEADED SOLDER

Boards requiring use of unleaded solder are printed with the lead-free mark (LF) indicating the solder contains no lead. (Caution: Some printed circuit boards may not come printed with the lead free mark due to their particular size)

## **LF** : LEAD FREE MARK

Unleaded solder has the following characteristics.

- Unleaded solder melts at a temperature about 40 °C higher than ordinary solder. Ordinary soldering irons can be used but the iron tip has to be applied to the solder joint for a slightly longer time. Soldering irons using a temperature regulator should be set to about 350 °C. Caution: The printed pattern (copper foil) may peel away if the heated tip is applied for too long, so be careful!
- Strong viscosity. Unleaded solder is more viscou-s (sticky, less prone to flow) than ordinary solder so use caution not to let solder bridges occur such as on IC pins, etc.
- Usable with ordinary solder. It is best to use only unleaded solder but unleaded solder may also be added to ordinary solder.

## TABLE OF CONTENTS

<b>1. SERVICING NOTE</b> .....	5	6-6. Printed Wiring Board – MAIN Board (Side A) – .....	35
<b>2. GENERAL</b> .....	8	6-7. Printed Wiring Board – MAIN Board (Side B) – .....	36
<b>3. DISASSEMBLY</b>		6-8. Schematic Diagram – MAIN Board (1/10) – .....	37
3-1. Disassembly Flow .....	11	6-9. Schematic Diagram – MAIN Board (2/10) – .....	38
3-2. Case, Front Panel Assy .....	12	6-10. Schematic Diagram – MAIN Board (3/10) – .....	39
3-3. FL Board, SW Board .....	13	6-11. Schematic Diagram – MAIN Board (4/10) – .....	40
3-4. JACK Board, LED Board .....	13	6-12. Schematic Diagram – MAIN Board (5/10) – .....	41
3-5. I/O Board, Tuner .....	14	6-13. Schematic Diagram – MAIN Board (6/10) – .....	42
3-6. SPEAKER Board, D.C. Fan .....	14	6-14. Schematic Diagram – MAIN Board (7/10) – .....	43
3-7. MAIN Board .....	15	6-15. Schematic Diagram – MAIN Board (8/10) – .....	44
3-8. POWER Board .....	16	6-16. Schematic Diagram – MAIN Board (9/10) – .....	45
3-9. DVD Mechanism Deck (CDM81C-DVBU101) .....	17	6-17. Schematic Diagram – MAIN Board (10/10) – .....	46
3-10. Tray .....	18	6-18. Printed Wiring Board – I/O Board – .....	47
3-11. MOTOR Board M761 (LD/ST Motor), M762 (BU U/D Motor) .....	18	6-19. Schematic Diagram – I/O Board – .....	48
3-12. Base Unit (DVBU101) .....	19	6-20. Printed Wiring Boards – PANEL Section – .....	49
3-13. Optical Pick-up (KHM-310CAB) .....	19	6-21. Schematic Diagram – PANEL Section – .....	50
3-14. Gear (Sub Tray 1), Gear (Sub Tray 2) .....	20	6-22. Printed Wiring Board – SPEAKER Board – .....	51
3-15. Lever Assy .....	20	6-23. Schematic Diagram – SPEAKER Board – .....	51
3-16. Stocker Section .....	21	6-24. Printed Wiring Boards – CD Mechanism Section – .....	52
3-17. Cam (Stocker) .....	21	6-25. Schematic Diagram – CD Mechanism Section – .....	53
3-18. Gear (Stocker 3) .....	22	6-26. Printed Wiring Board – POWER Board – .....	54
3-19. Rotary Encoder (MD) .....	22	6-27. Schematic Diagram – POWER Board – .....	55
3-20. Gear (BU2) .....	23	<b>7. EXPLODED VIEWS</b>	
<b>4. TEST MODE</b> .....	24	7-1. Overall Section .....	67
<b>5. ELECTRICAL ADJUSTMENT</b> .....	28	7-2. Front Panel Section .....	68
<b>6. DIAGRAMS</b>		7-3. Chassis Section .....	69
6-1. Block Diagram – RF Section – .....	30	7-4. DVD Mechanism Deck Section-1 (CDM81C-DVBU101) .....	70
6-2. Block Diagram – AMP Section – .....	31	7-5. DVD Mechanism Deck Section-2 (CDM81C-DVBU101) .....	71
6-3. Block Diagram – AUDIO Section – .....	32	7-6. DVD Mechanism Deck Section-3 (CDM81C-DVBU101) .....	72
6-4. Block Diagram – VIDEO Section – .....	33	7-7. Base Unit (DVBU101) .....	73
6-5. Block Diagram – POWER Section – .....	34	<b>8. ELECTRICAL PARTS LIST</b> .....	74

## SECTION 1 SERVICING NOTE

### NOTES ON HANDLING THE OPTICAL PICK-UP BLOCK OR BASE UNIT

The laser diode in the optical pick-up block may suffer electrostatic break-down because of the potential difference generated by the charged electrostatic load, etc. on clothing and the human body. During repair, pay attention to electrostatic break-down and also use the procedure in the printed matter which is included in the repair parts.

The flexible board is easily damaged and should be handled with care.

### NOTES ON LASER DIODE EMISSION CHECK

The laser beam on this model is concentrated so as to be focused on the disc reflective surface by the objective lens in the optical pick-up block. Therefore, when checking the laser diode emission, observe from more than 30 cm away from the objective lens.

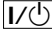



### LASER DIODE AND FOCUS SEARCH

1. Open the cover and turn POWER on with no disc inserted.
2. Confirm that the following operation is performed while observing the objecting lens.
  - 1) Confirm that laser beam is spread.
  - 2) Up and down motion of the objective lens. (3 times)



### DISC TRAY LOCK

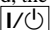
The disc tray lock function for the antitheft of an demonstration disc in the store is equipped.

#### Setting Procedure :

1. Press the  button to turn the set on.
2. Press the  button to set DVD function.
3. Insert a disc.
4. Press the  button and the  button simultaneously for five seconds.
5. The message "LOCKED" is displayed and the tray is locked.

#### Releasing Procedure :

1. Press the  button and the  button simultaneously for five seconds again.
2. The message "UNLOCKED" is displayed and the tray is unlocked.

**Note :** When "LOCKED" is displayed, the tray lock is not released by turning power on/off with the  button.

### Note on MAIN board replacement

New part of EEP ROM (IC1103) on the MAIN board cannot be used. Therefore, if the mounted MAIN board (A-1151-985-A, etc.) is replaced, exchange new EEP ROM (IC1103) with that used before the replacement.

## Self-diagnosis Function

*(When letters/numbers appear in the display)*

When the self-diagnosis function is activated to prevent the system from malfunctioning, a 5-character service number (e.g., C 13 50) with a combination of a letter and 4 digits appears on the screen and the front panel display. In this case, check the following table.



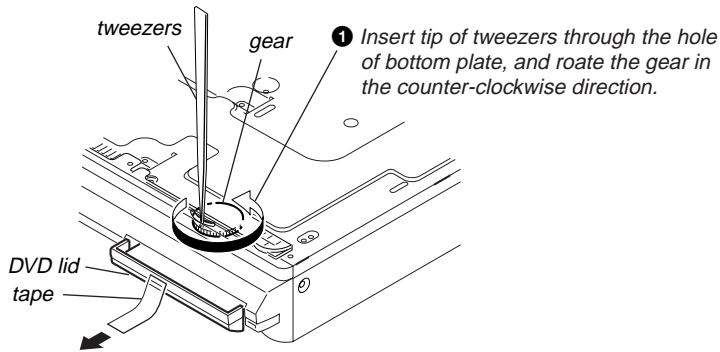
First 3 characters of the service number	Cause and/or corrective action
C 13	The disc is dirty. ➔ Clean the disc with a soft cloth
C 31	The disc is not inserted correctly. ➔ Restart the system, then re-insert the disc correctly.
E XX (xx is a number)	To prevent a malfunction, the system has performed the self-diagnosis function. ➔ Contact your nearest Sony dealer or local authorized Sony service facility and give the 5-character service number. Example: E 61 10

When displaying the version number on the screen

When you turn on the system, the version number [VER.X.XX] (X is a number) may appear on the screen. Although this is not a malfunction and for Sony service use only, normal system operation will not be possible. Turn off the system, and then turn on the system again to operate.



## HOW TO OPEN THE DISC TABLE WHEN POWER SWITCH TURNS OFF



2 Attach an adhesive tape on the DVD LID and draw it out.

### Discharge the charged electricity in capacitors to prevent electric shock as follows

When disassembling the machine, be sure to discharge the charged electricity in the following capacitors. Use a resistor of 800 ohms, 2 Watts for discharging the following capacitors.

POWER board

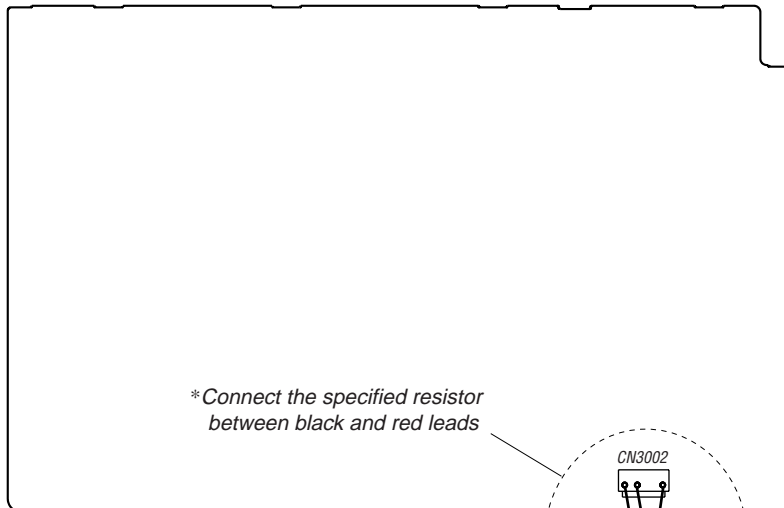
C903 : 600V

C932, C933, C939, CN902 : 30V

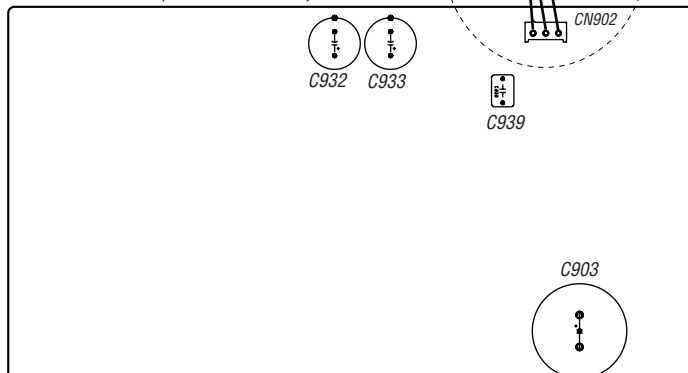
MAIN board

CN3002 : 30 V

MAIN BOARD (Parts face side)



POWER BOARD (Parts face side)

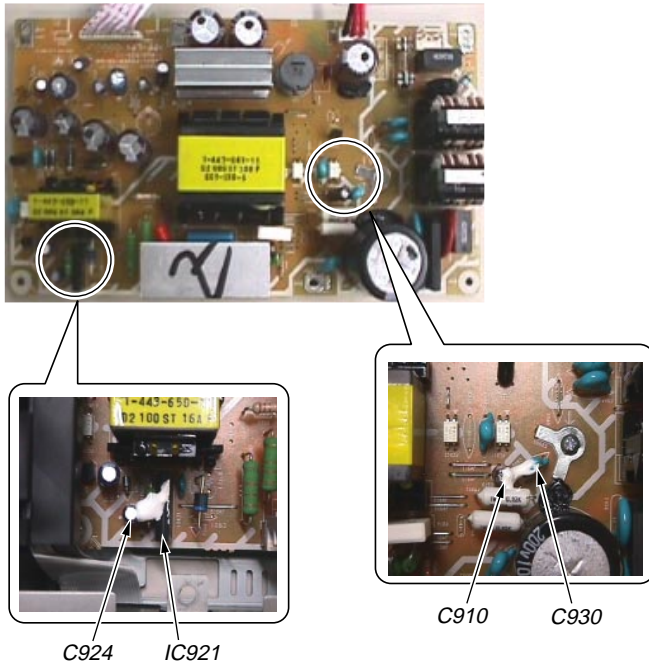


**Fix the capacitors with adhesive agent as follows**

Fixing the capacitors with adhesive agent is required by the safety regulation.

Be sure to fix the capacitors with adhesive agent when part or circuit board is replaced.

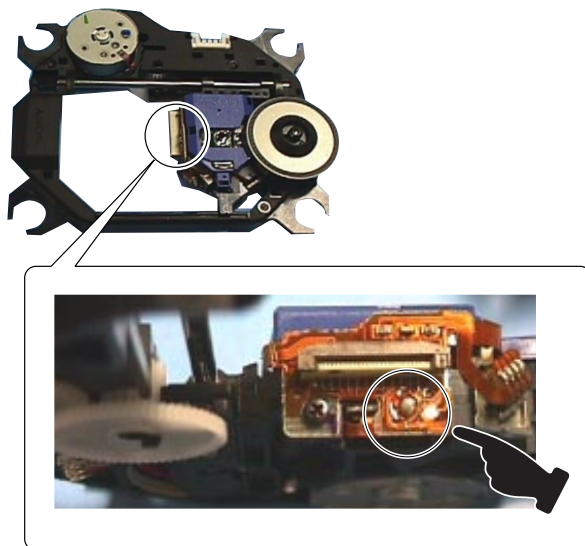
**POWER BOARD**



**Precaution on the connector processing of the POWER board.**

When processing the connectors of the POWER board, be sure to refer to section "3-8. POWER BOARD" (page 16).

**PRECAUTION WHEN INSTALLING A NEW OP UNIT /  
PRECAUTION BEFORE UNSOLDERING THE STATIC ELECTRICITY  
PREVENTION SOLDER BRIDGE**

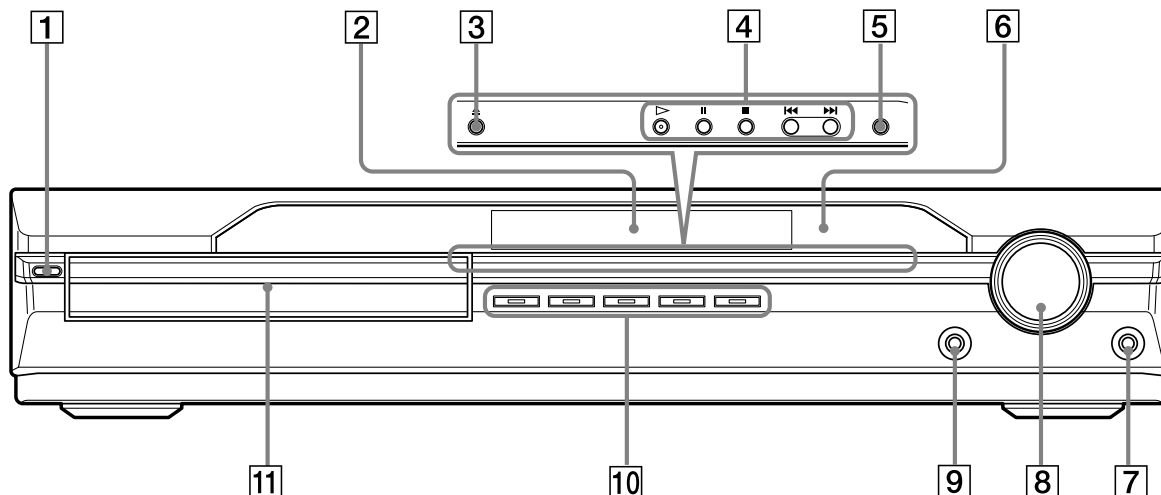


When installing a new OP unit, be sure to connect the flexible printed circuit board first of all before removing the static electricity prevention solder bridge by unsoldering. Remove the static electricity prevention solder bridge by unsoldering after the flexible printed circuit board has already been connected. (Do not remove nor unsolder the solder bridge as long as the OP unit is kept standalone.)

**SECTION 2  
GENERAL**

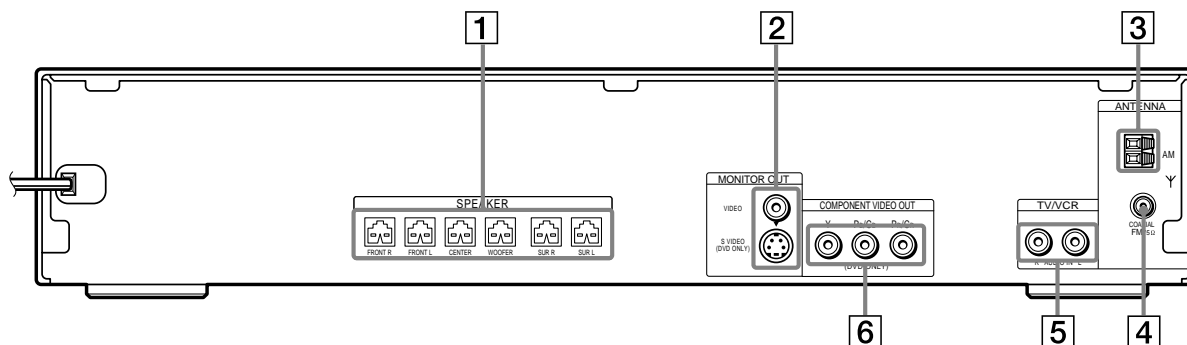
This section is extracted from instruction manual.

Front panel



- |                                   |   |
|-----------------------------------|---|
| <b>1</b> I/⏻ (on/standby) (29)    | <b>7</b> PHONES jack (29)                 |
| <b>2</b> Front panel display (92) | <b>8</b> VOLUME control (29)              |
| <b>3</b> ≡ (open/close) (29)      | <b>9</b> AUDIO IN/A.CAL MIC jack (19, 31) |
| <b>4</b> Disc operation (29)      | <b>10</b> DISC 1-5 (29)                   |
| <b>5</b> FUNCTION (29)            | <b>11</b> Disc tray (29)                  |
| <b>6</b> (remote sensor) (9)      |   |

Rear panel

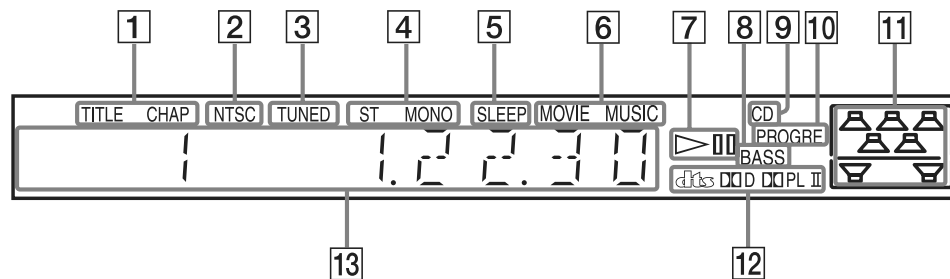


- |   |   |
|---|---|
| <b>1</b> SPEAKER jacks (13)                     | <b>4</b> COAXIAL FM 75Ω jack (13)         |
| <b>2</b> MONITOR OUT (S VIDEO/VIDEO) jacks (24) | <b>5</b> TV/VCR (AUDIO IN R/L) jacks (27) |
| <b>3</b> AM terminal (13)                       | <b>6</b> COMPONENT VIDEO OUT jacks (24)   |



## Front panel display

About the indications in the front panel display



- |  |   |
|--|---|
| <p><b>1</b> Lights up when the time information of a title or chapter appears in the front panel display. (DVD only) (45)</p> <p><b>2</b> Lights up when the color system is set to NTSC. (Asian, Australian, and Middle Eastern models only) (17)</p> <p><b>3</b> Lights up when a station is received. (Radio only) (58)</p> <p><b>4</b> Monaural/Stereo effect (Radio only) (58)</p> <p><b>5</b> Lights up when the sleep timer is set. (62)</p> <p><b>6</b> Lights up when the music or movie mode is selected. (Except for JPEG) (32)</p> | <p><b>7</b> Playing status (DVD function only)</p> <p><b>8</b> Lights up when the DYNAMIC BASS is selected. (61)</p> <p><b>9</b> Lights up when CD is loaded.</p> <p><b>10</b> Lights up when the system outputs progressive signals (DVD function only). (25)</p> <p><b>11</b> Indicates the selected [SPEAKER FORMATION]. (66)</p> <p><b>12</b> Current surround format (Except for JPEG)</p> <p><b>13</b> Displays system's status such as chapter, title, or track number, time information, radio frequency, playing status, sound field, etc.</p> |
|--|---|

Remote control

ALPHABETICAL ORDER


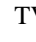
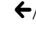
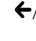
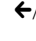
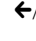











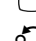
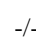


A - O


- AMP MENU **25** (22, 31, 60, 62, 97)
- ANGLE **5** (47)
- AUDIO **4** (42)
- CLEAR **34** (36, 58, 60, 71)
- D.TUNING **24** (58)
- DISC SKIP **18** (29)
- DISPLAY **3** (45, 59)
- DYNAMIC BASS **23** (61)
- ENTER **13** (19, 22, 31, 36, 57, 63)
- FUNCTION **22** (25, 29, 31, 37, 57, 66)
- MENU **26** (42, 57)
- MOVIE/MUSIC **17** (32)
- MUTING **7** (29)
- Number buttons\* **15** (36, 58, 60, 63)

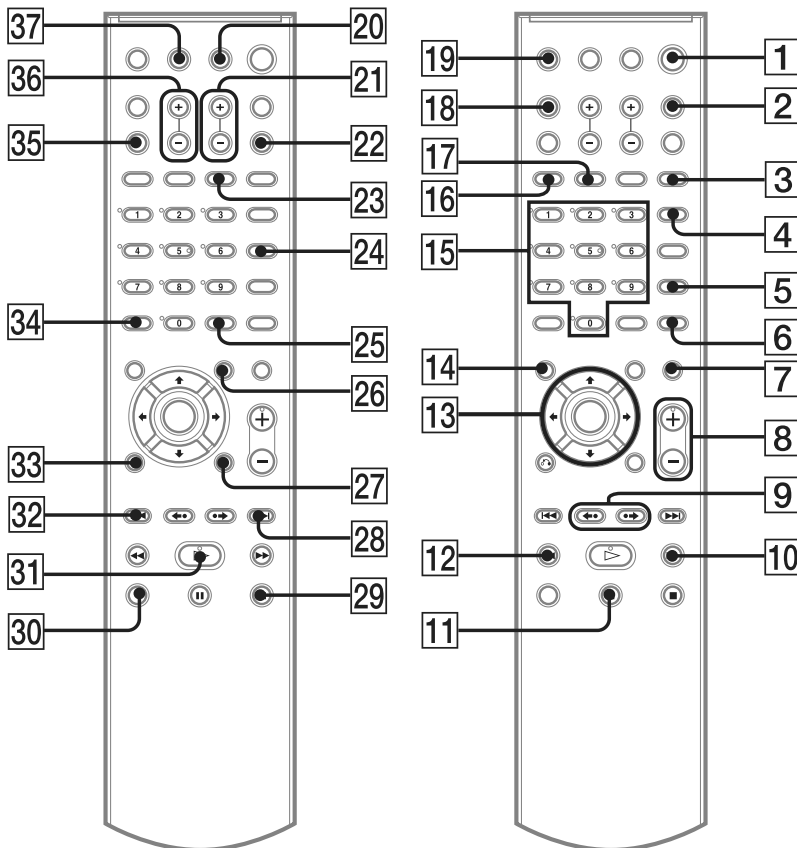
P - Z

- PICTURE NAVI **6** (37, 60)
- PRESET +/- **28** **32** (58)
- PROGRESSIVE **35** (25)
- SLEEP **19** (62)
- SOUND FIELD **16** (33)
- SUBTITLE **24** (48)
- THEATRE SYNC **20** (61)
- TOP MENU **14** (42)
- TUNING +/- **10** **12** (57)
- TV **30** (60)
- TV CH +/- **21** (60)
- TV VOL +/- **36** (60)
- TV/VIDEO **2** (60)
- VOLUME +/-\* **8** (29, 58, 77)

BUTTON DESCRIPTIONS

-  (on/standby) **1** (19, 22, 29, 37, 58)
- TV  (on/standby) **37** (60)
-     **13** (19, 22, 31, 36, 57, 63)
-   **REPLAY/ADVANCE** **9** (29)
-   **32** **28** (29)
-   **12** **10** (35)
-   **SLOW** **12** **10** (35)
-  (play)\* **31** (29, 37, 64)
-  **STEP** **9** (35)
-  (stop) **29** (30, 37, 63)
-  (pause) **11** (30)
-  **DISPLAY** **27** (20, 36, 63, 93)
-  **RETURN** **33** (37)
-  **34** (60)

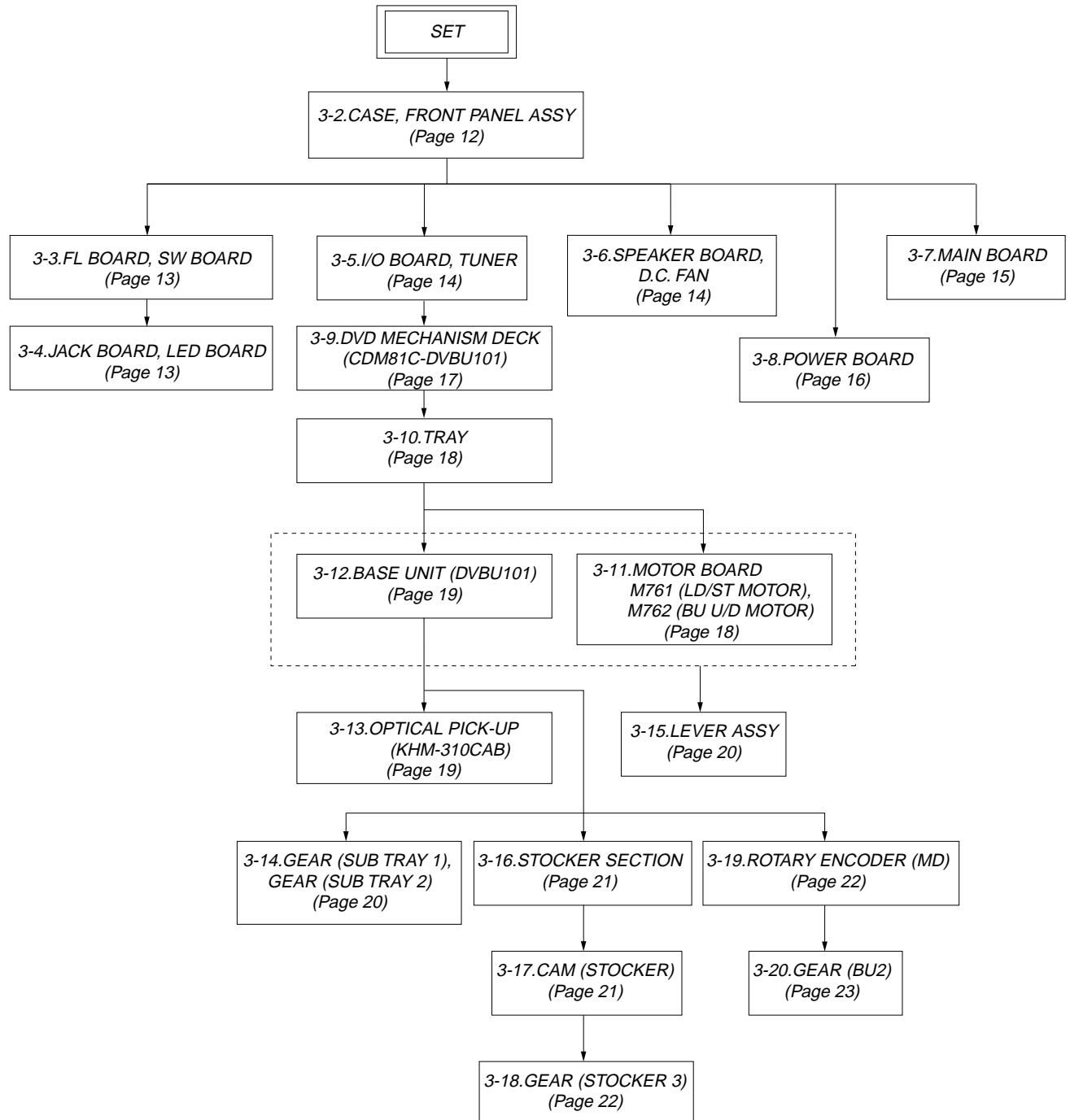
\* The  , number 5, and VOLUME + buttons have tactile dots. Use the tactile dots as references when operating the system.



## SECTION 3 DISASSEMBLY

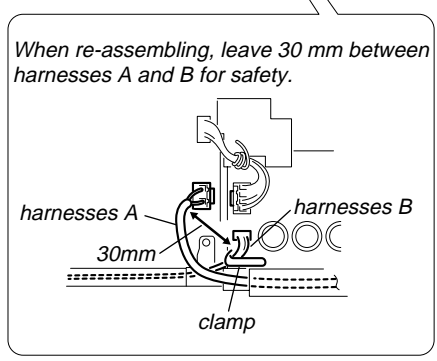
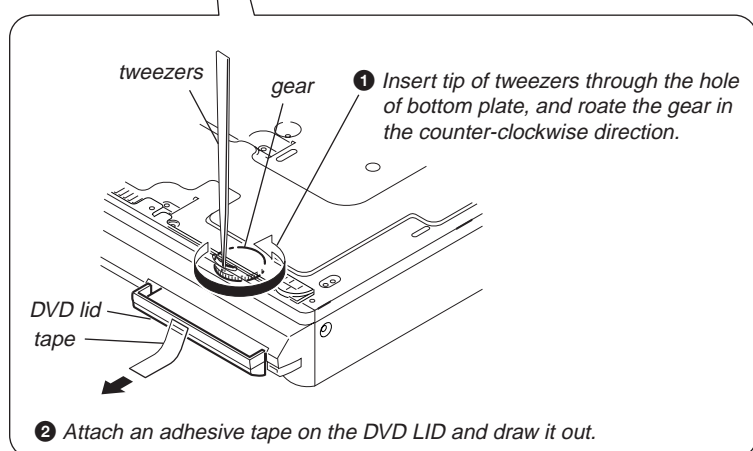
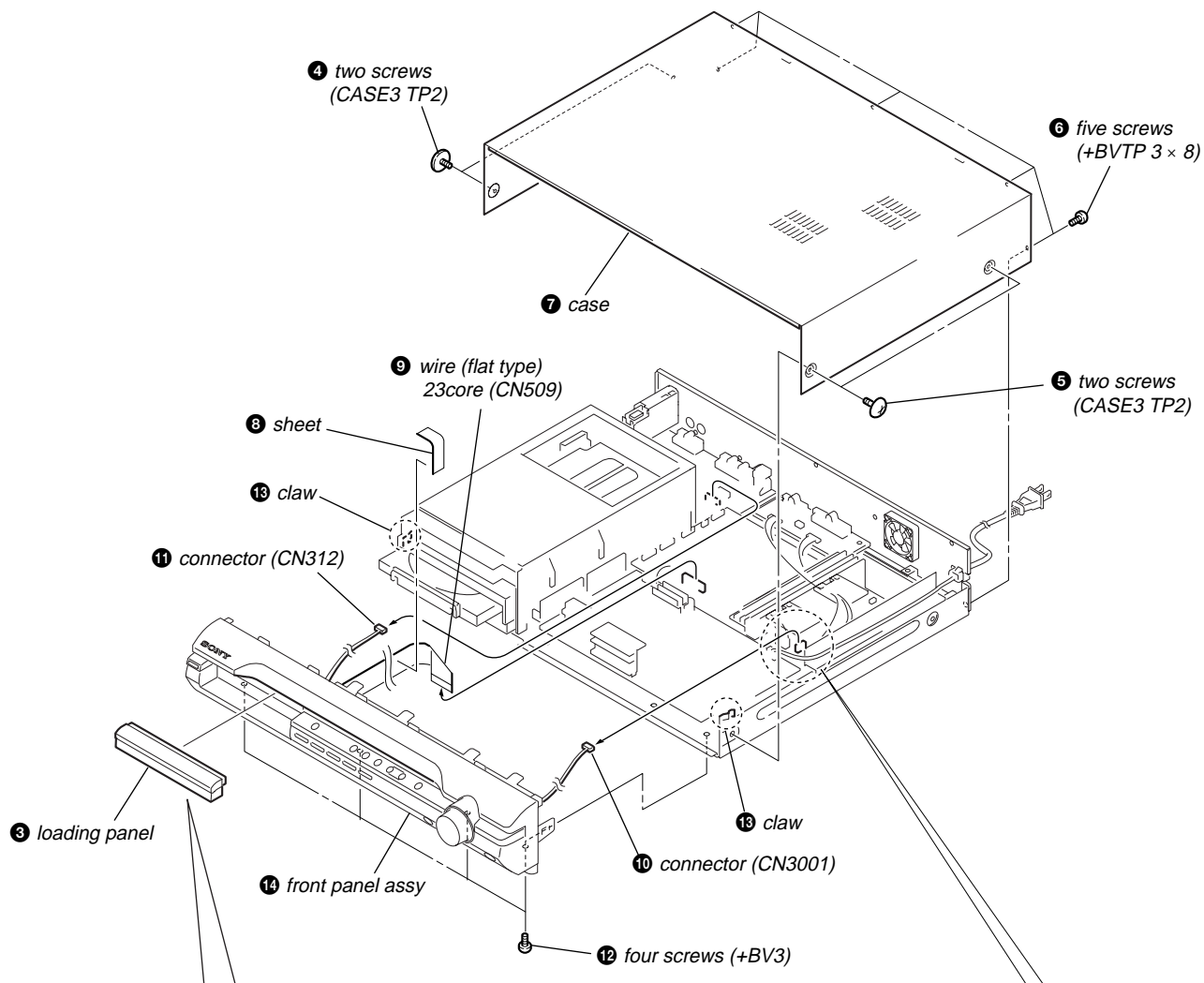
### 3-1. DISASSEMBLY FLOW

- This set can be disassembled in the order shown below.
- The dotted square with arrow (---) prompts you to move to the next job when all of the works within the dotted square (---) are completed.

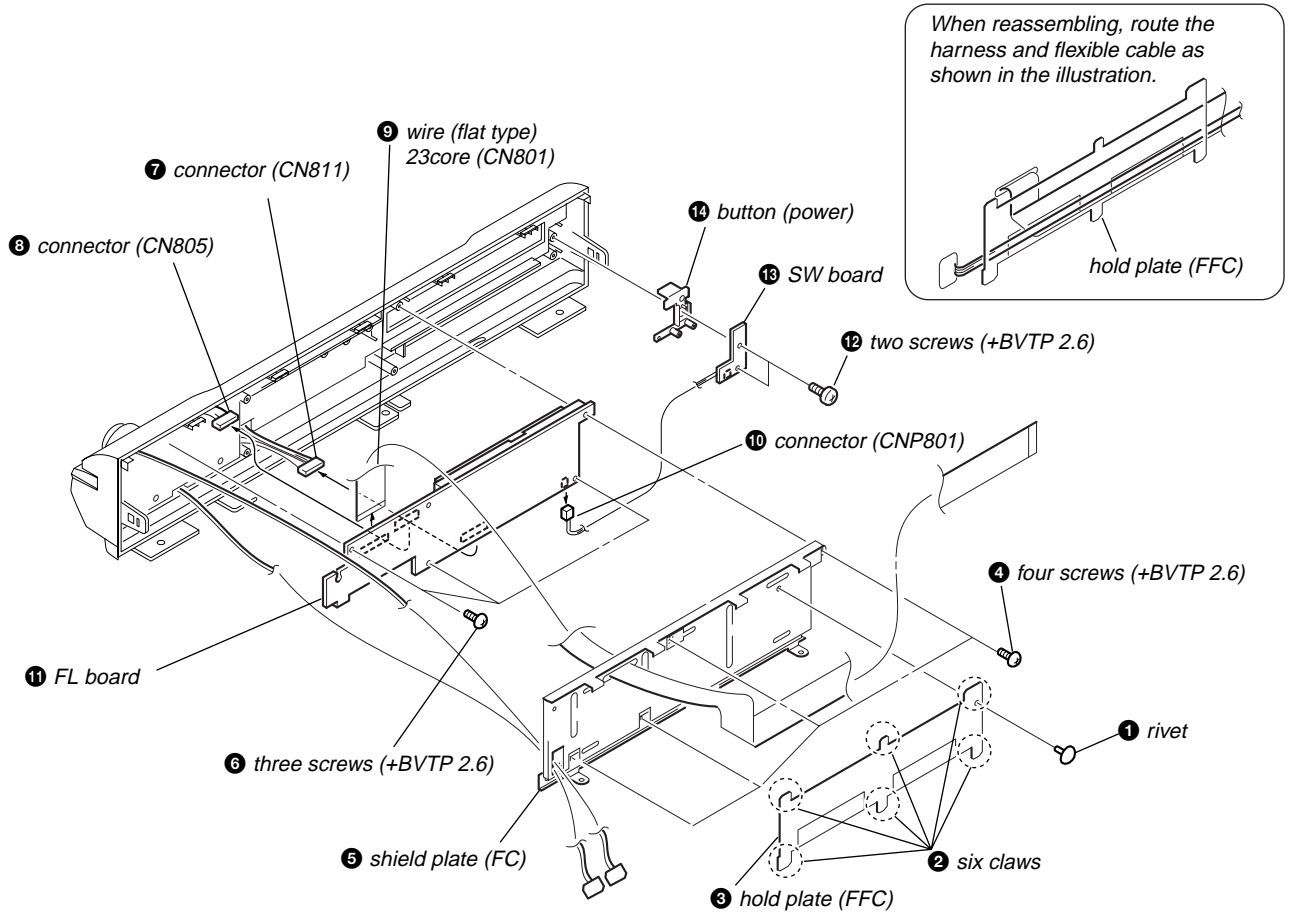


**Note:** Follow the disassembly procedure in the numerical order given.

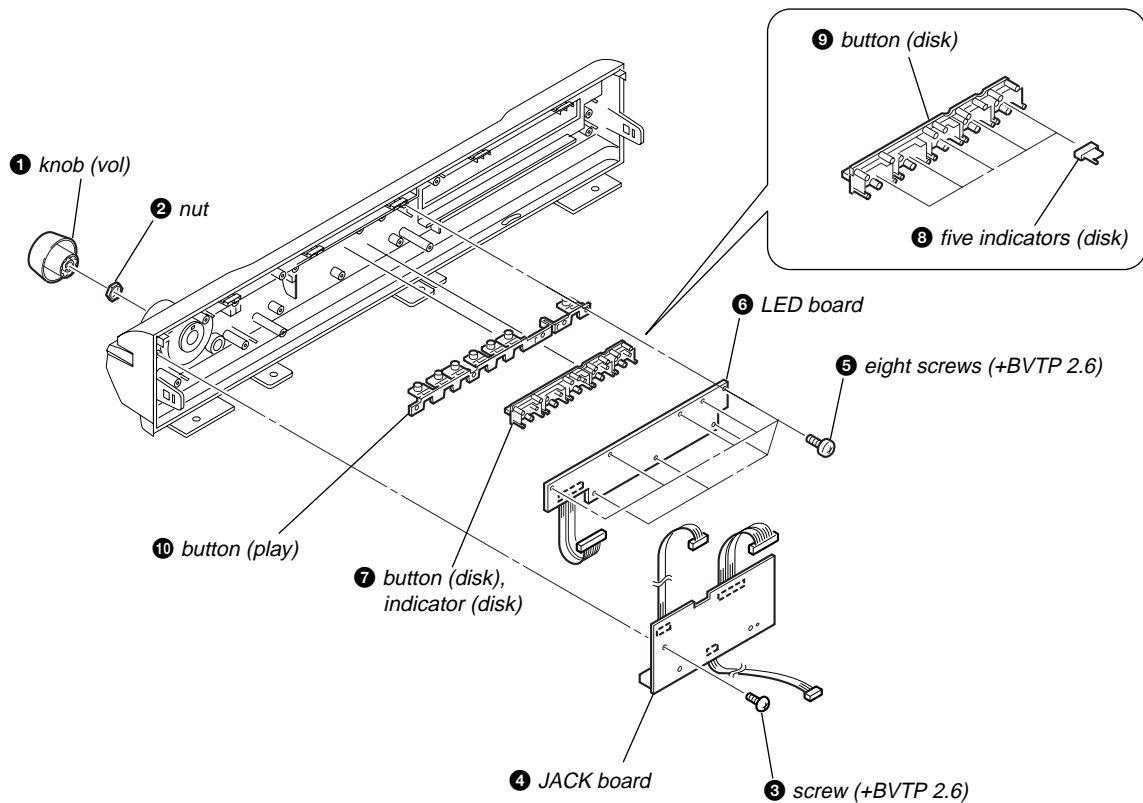
## 3-2. CASE, FRONT PANEL ASSY



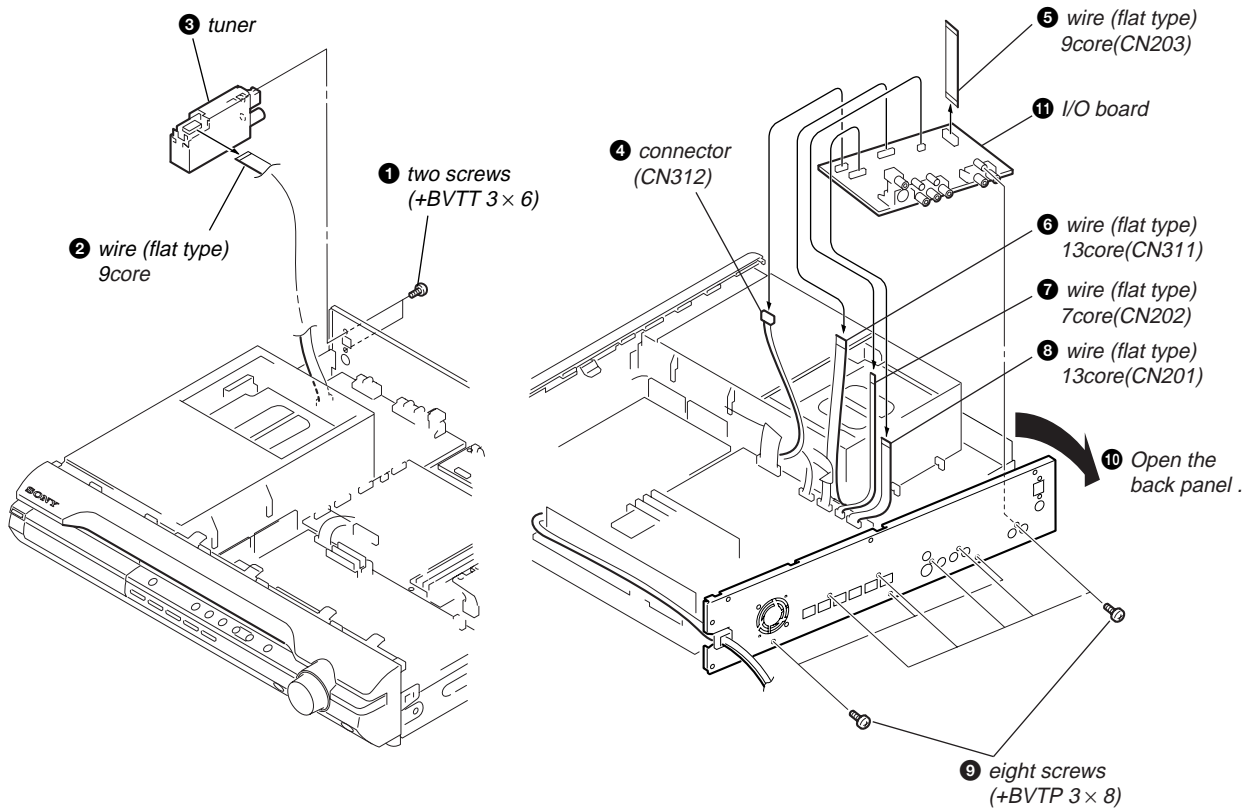
3-3. FL BOARD, SW BOARD



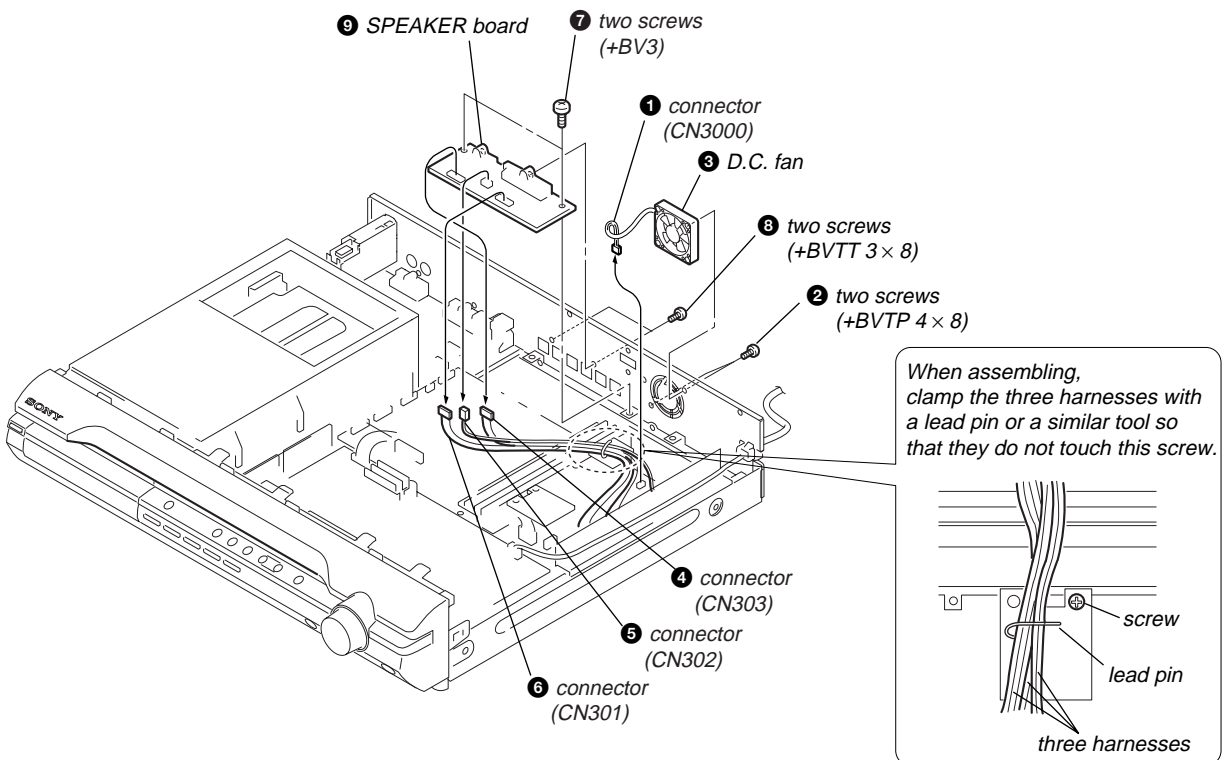
3-4. JACK BOARD, LED BOARD



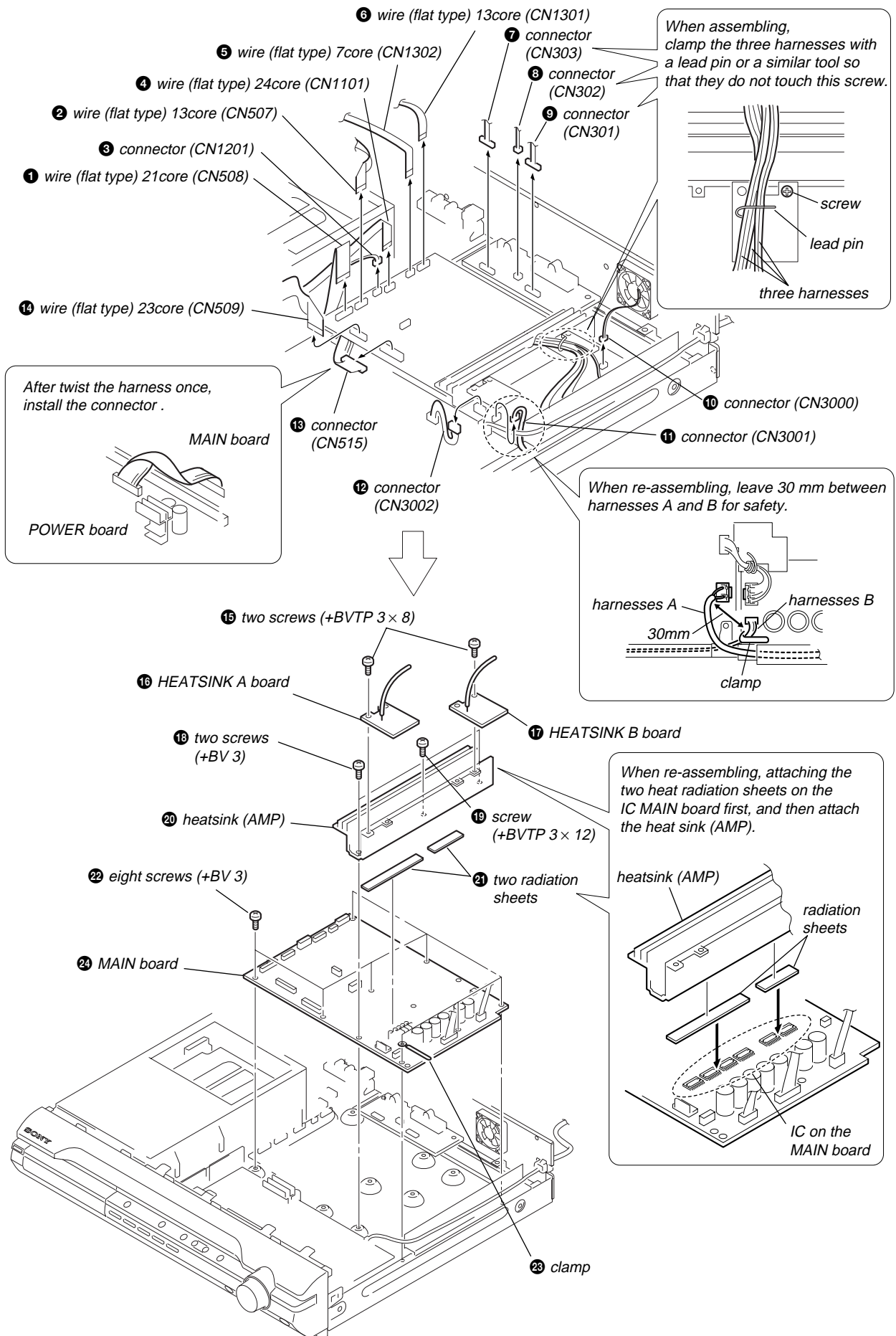
3-5. I/O BOARD, TUNER



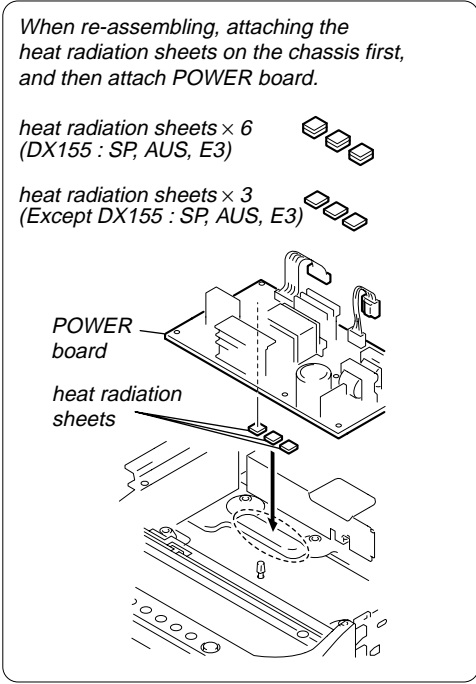
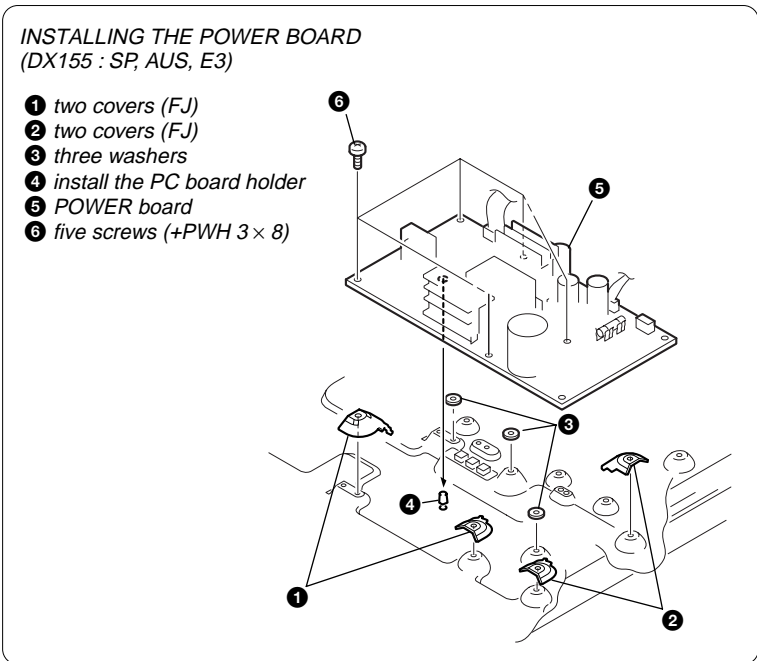
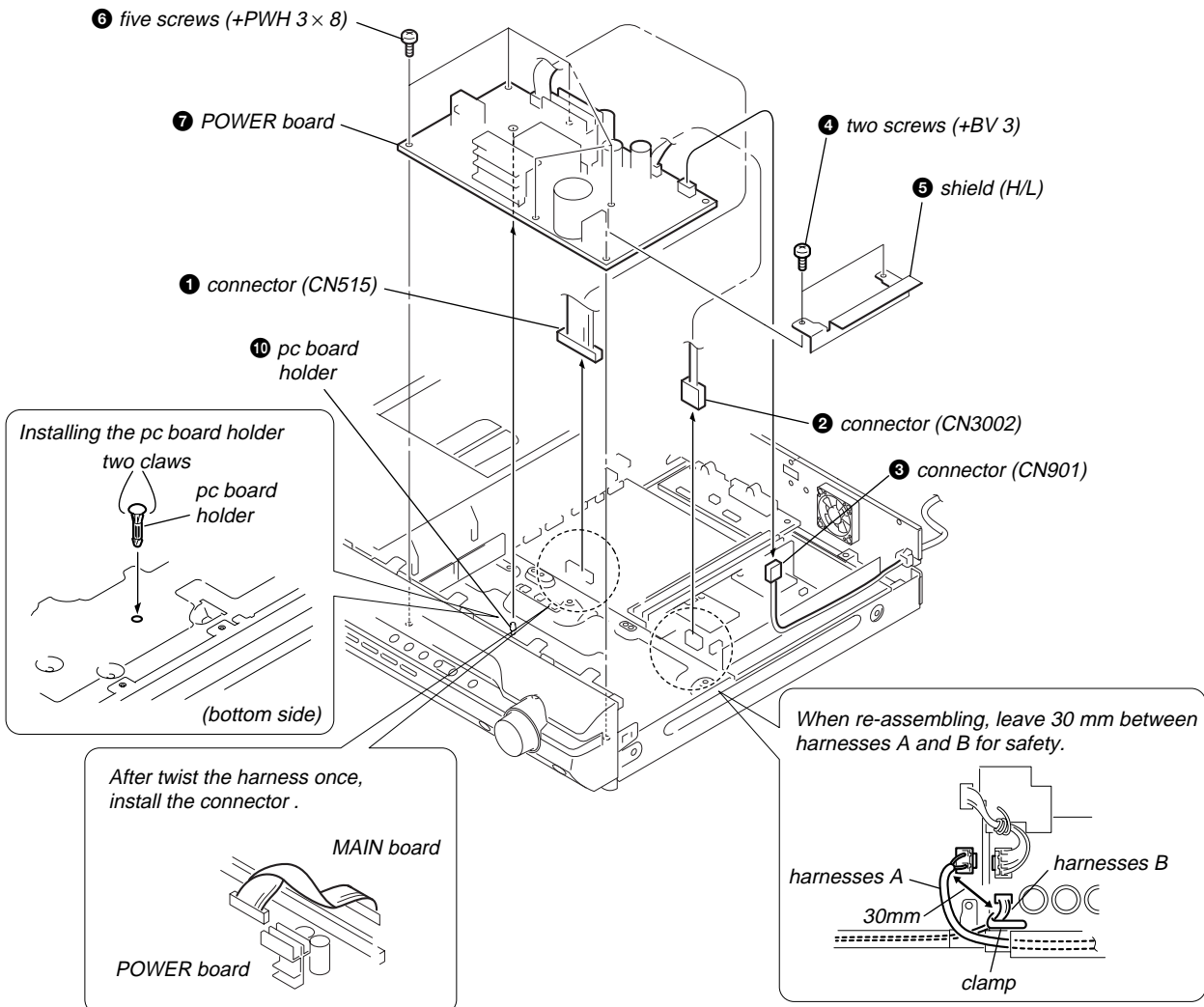
3-6. SPEAKER BOARD, D.C. FAN



3-7. MAIN BOARD

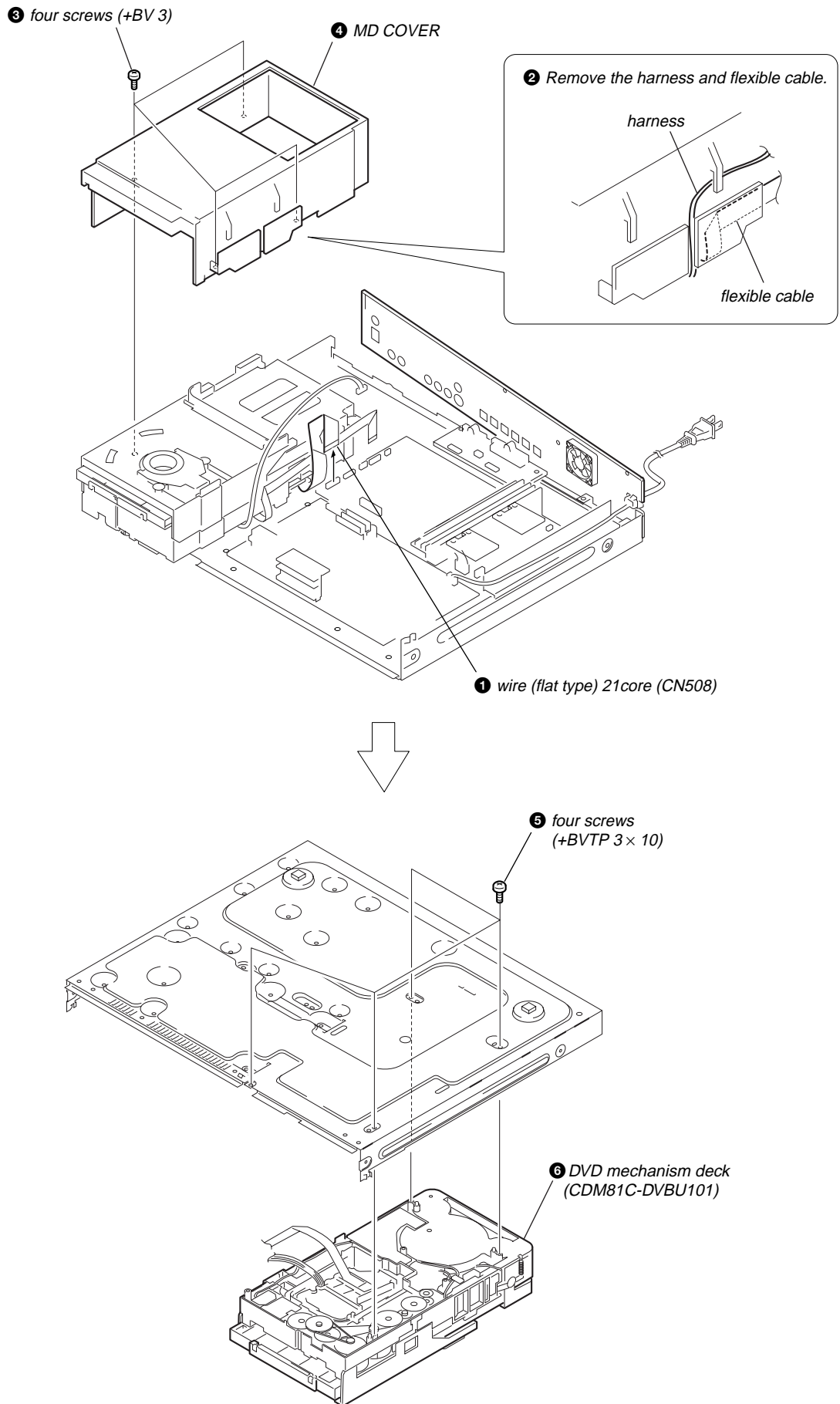


3-8. POWER BOARD

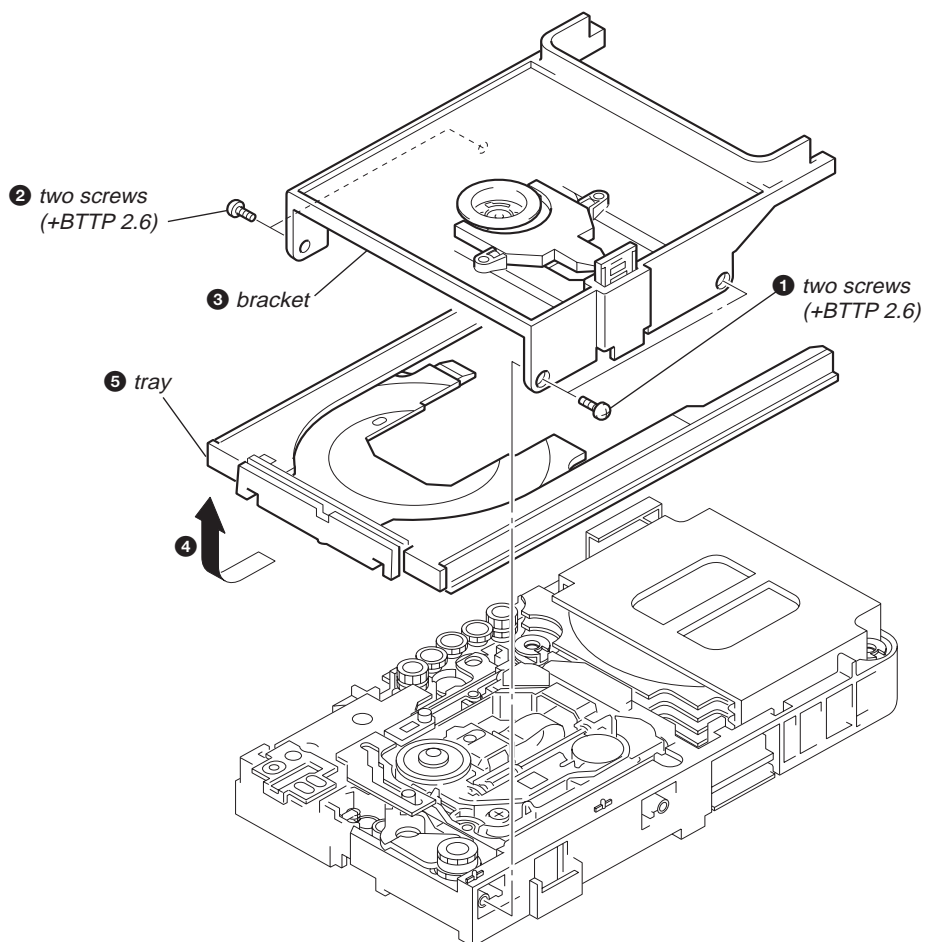




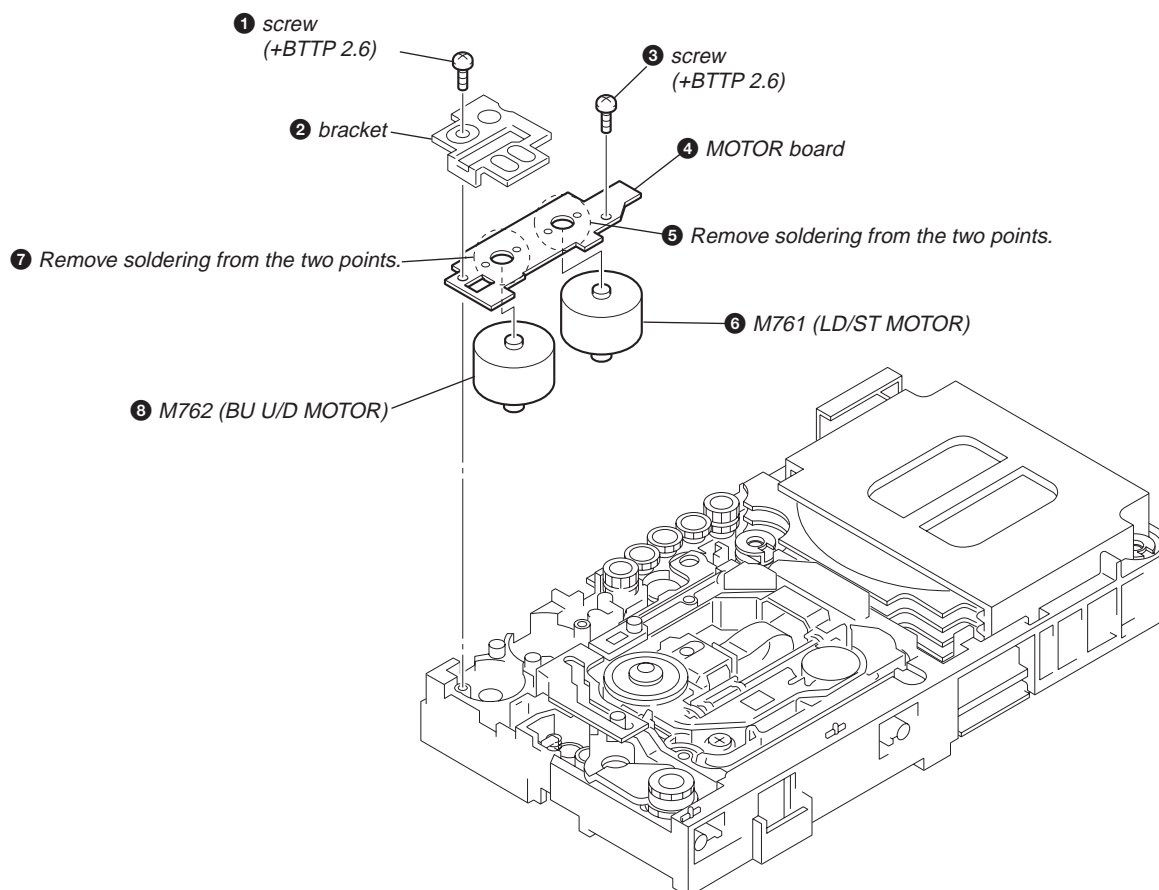
3-9. DVD MECHANISM DECK (CDM81C-DVBU101)



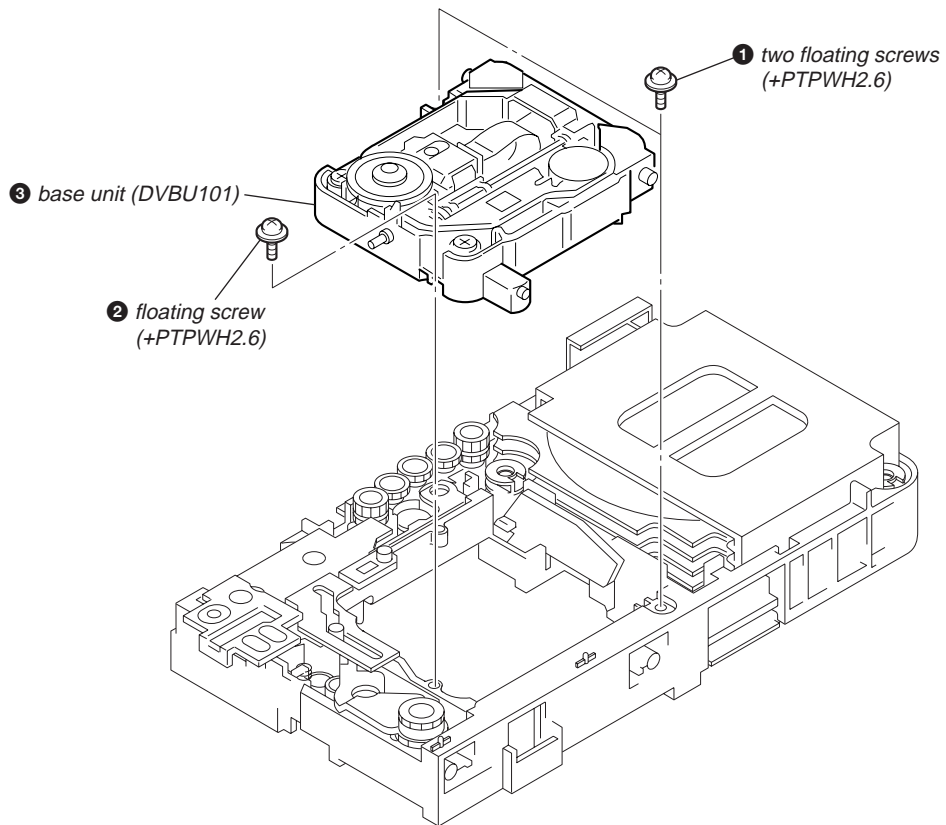
## 3-10. TRAY



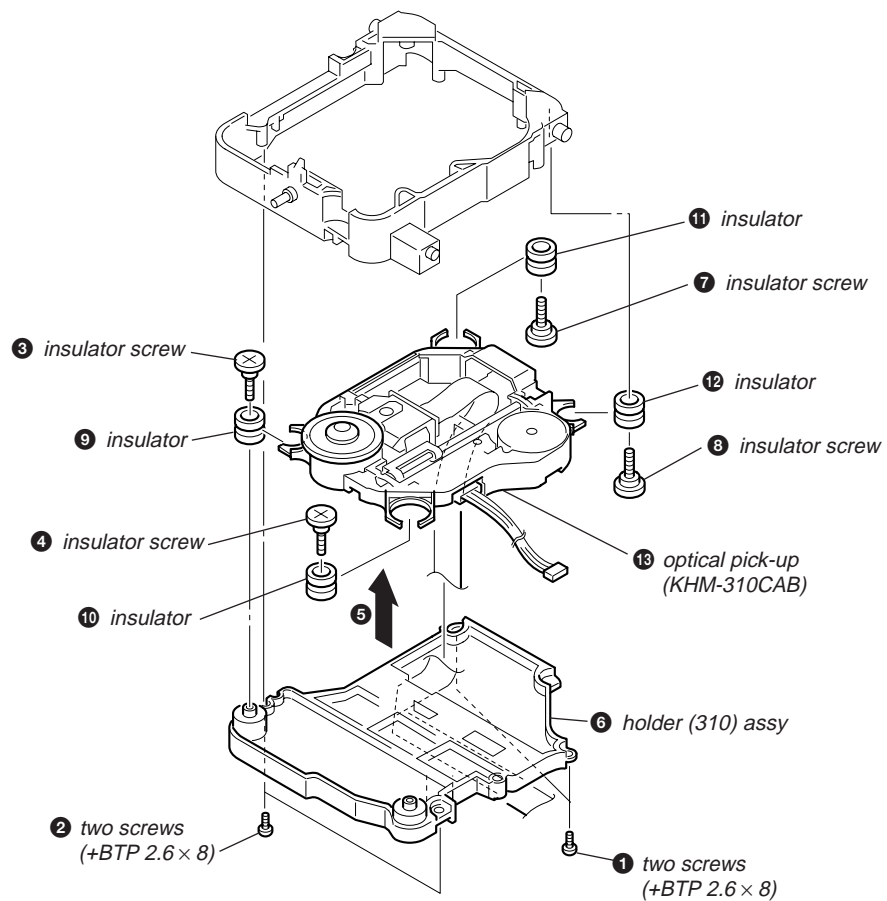
## 3-11. MOTOR BOARD M761 (LD/ST MOTOR), M762 (BU U/D MOTOR)



3-12. BASE UNIT (DVBU101)



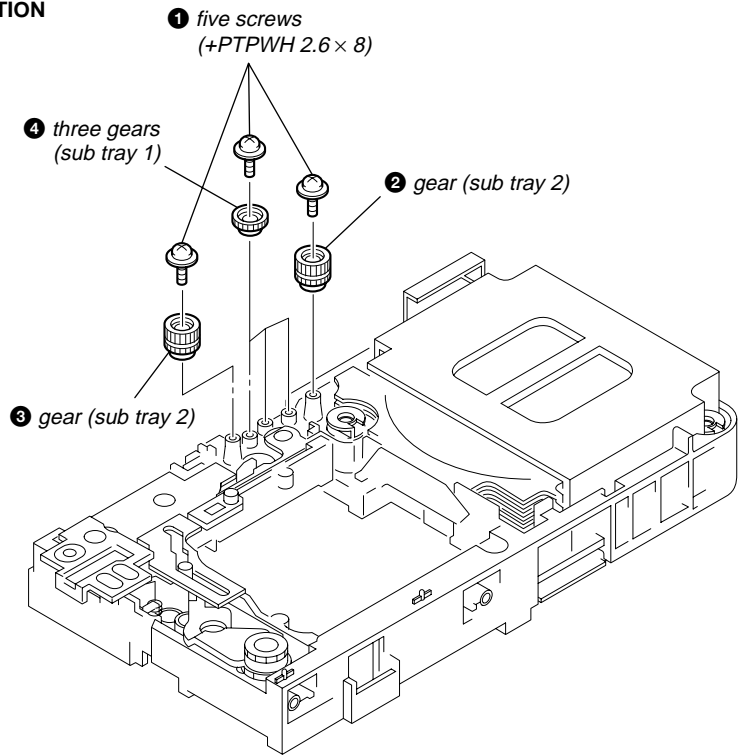
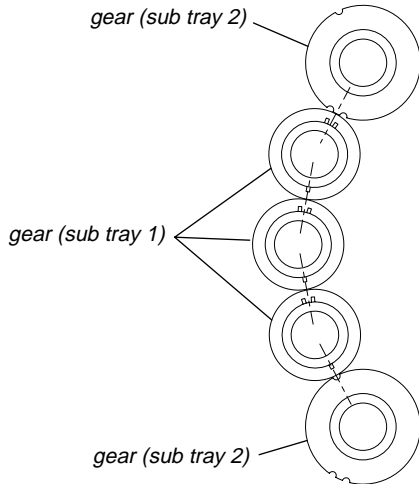
3-13. OPTICAL PICK-UP (KHM-310CAB)



3-14. GEAR (SUB TRAY 1), GEAR (SUB TRAY 2)

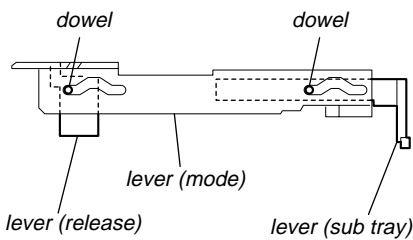
PRECAUTION DURING GEAR (SUB TRAY 1/2) INSTALLATION

Align the marks of the gears as shown in the illustration.

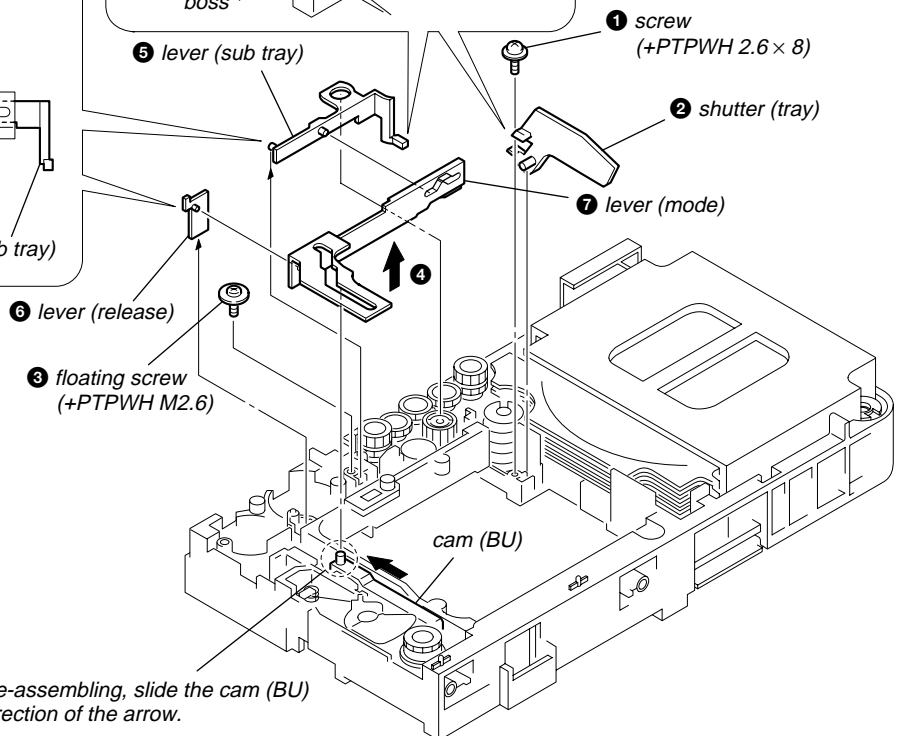
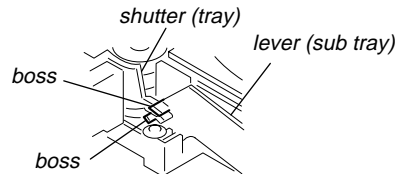


3-15. LEVER ASSY

Before re-assembling, align the lever (release) and the lever (sub tray) with the lever (mode) as shown in the illustration.

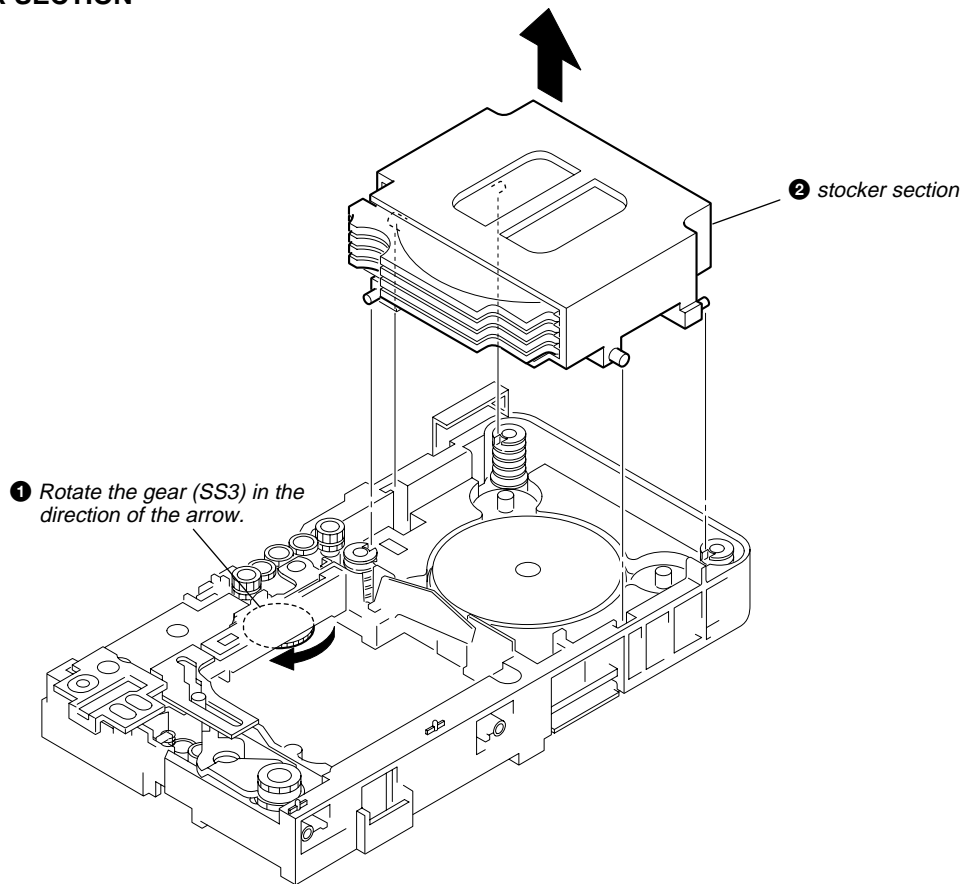


When re-assembling, insert the lever (sub tray) between the bosses of the shutter (tray).



Before re-assembling, slide the cam (BU) in the direction of the arrow.

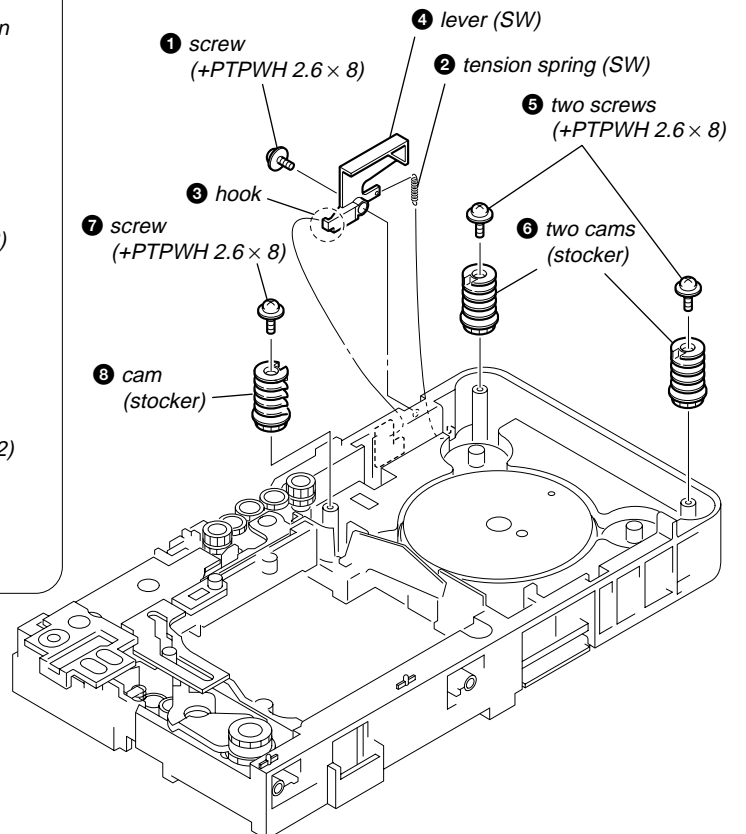
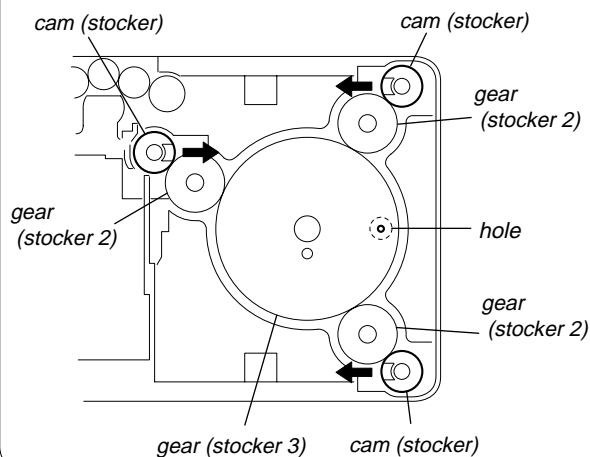
3-16. STOCKER SECTION



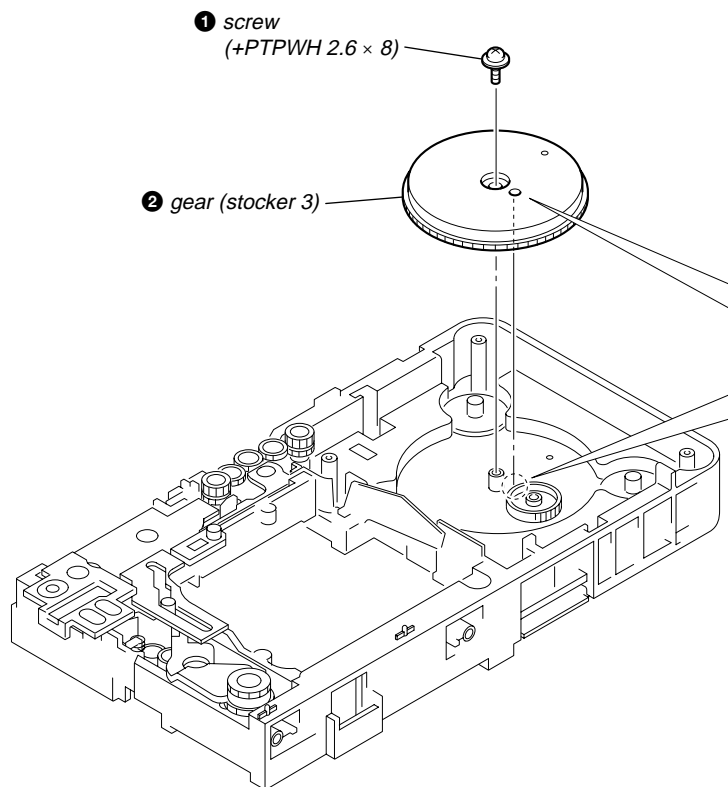
3-17. CAM (STOCKER)

PRECAUTION DURING CAM (STOCKER) INSTALLATION

Before installing the cams (stocker), fix the gear (stocker 3) in the manner so that the hole of the gear (stocker 3) should be aligned with the hole of the chassis located beneath the gear (stocker 3). Be sure to install the cams (stocker) in such a way that the grooves of the cams (stocker) face the direction of the arrows.

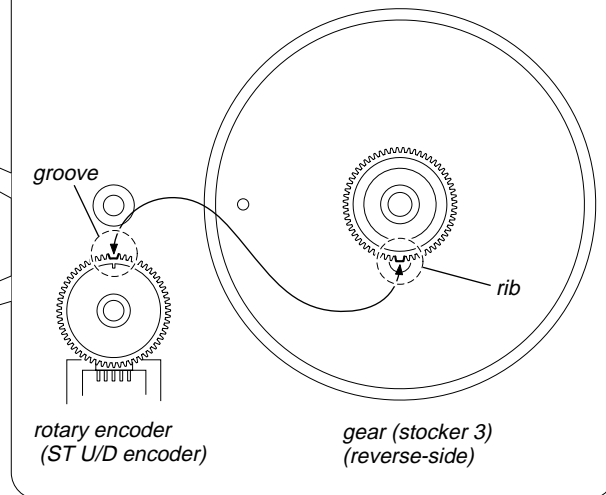


## 3-18. GEAR (STOCKER 3)



### PRECAUTION DURING GEAR (STOCKER 3) INSTALLATION

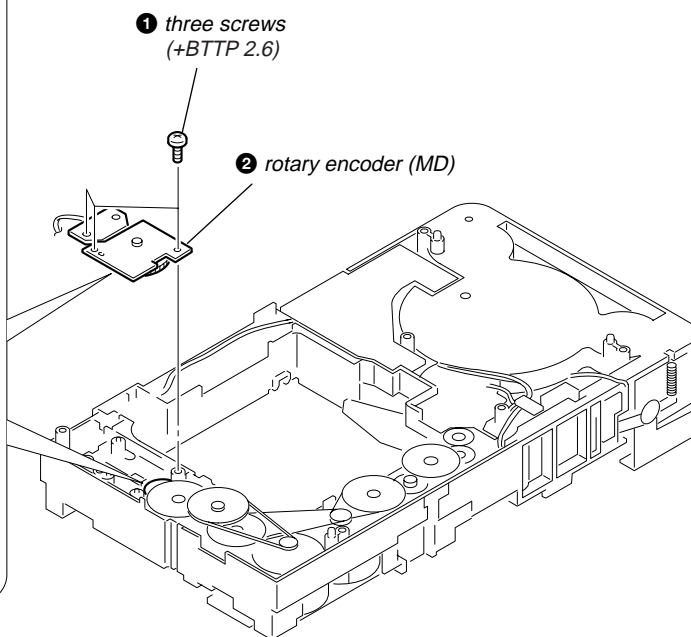
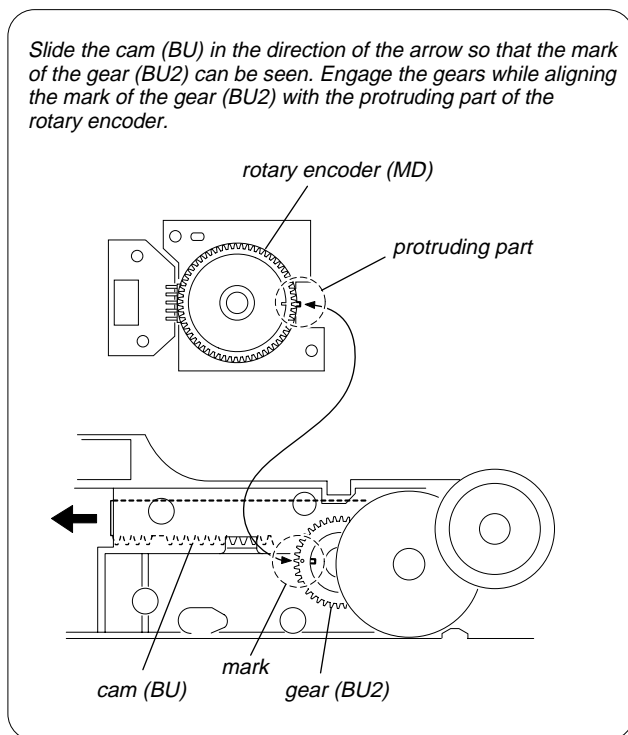
Be sure to align the rib of the gear (stocker 3) with the groove of the rotary encoder.



## 3-19. ROTARY ENCODER (MD)

### PRECAUTION DURING ROTARY ENCODER (MD) INSTALLATION

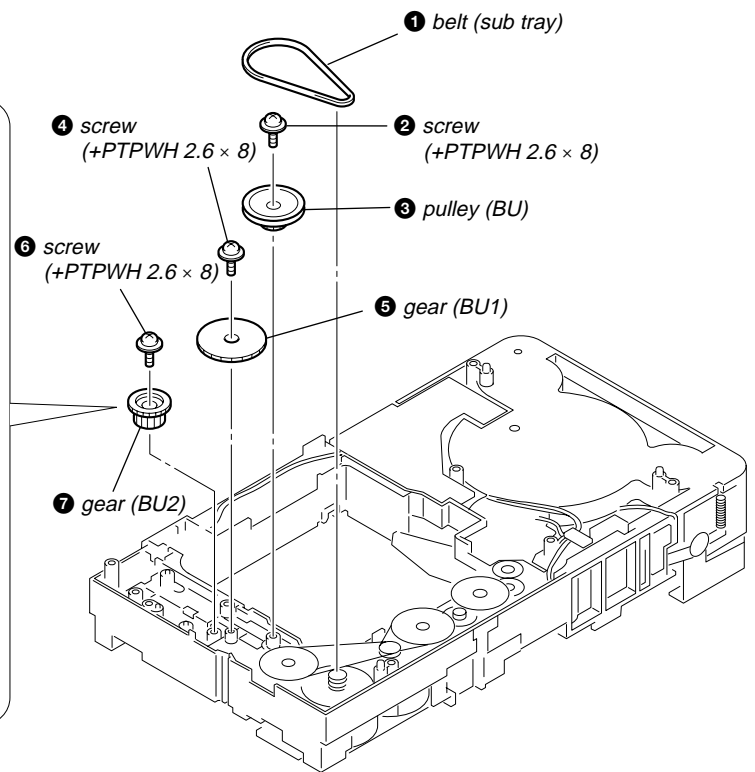
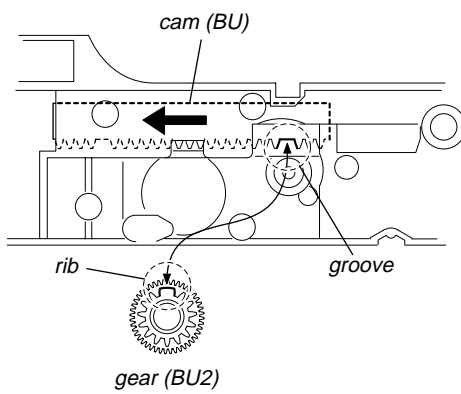
Slide the cam (BU) in the direction of the arrow so that the mark of the gear (BU2) can be seen. Engage the gears while aligning the mark of the gear (BU2) with the protruding part of the rotary encoder.



### 3-20. GEAR (BU2)

#### PRECAUTION DURING GEAR (BU2) INSTALLATION

Before re-assembling, slide the cam (BU) in the direction of the arrow.  
Assemble the gear (BU2) in such a manner that the groove of the cam (BU) is aligned with the rib of the gear (BU2).



## SECTION 4 TEST MODE

**Note 1:** Regarding the notification symbol “R”  
Because the number of the operating buttons of this product are limited, some operations require use of the operating buttons of the remote commander. When a specific operation requires use of the operating buttons of the remote commander, “R” is added to the specific operating procedure in this manual. Example “R”. The button of remote commander.

**Note 2:** Incorrect operations may be performed if the test mode is not entered properly.  
In this case, press the button to turn the power off, and retry to enter the test mode.

### 1. Cold Reset

- The cold reset clears all data including preset data stored in the RAM to initial conditions. Execute this mode when returning the set to the customers.

#### Procedure:

- Press the button to turn the power on.
- Press three buttons , and simultaneously.
- When this button is operated, display as “COLD RESET” for a while and all of the settings are reset.

### 2. Panel Test Mode

- This mode is used to check the software version, FL, LED and KEY.

#### 2-1. Display Test Mode

##### Procedure:

- Press the button to turn the power on.
- Press three buttons , and simultaneously.
- When the display test mode is activated, all segments and LEDs are turned on.
- To exit from this mode, press three buttons , and simultaneously.

#### 2-2. Version Test Mode

##### Procedure:

- When the display test mode is activated, press the button and the message “DCX1” (DX155), “DCX1D” (DX255) are displayed, the version test mode is activated.
- Whenever the button is pressed, the display changes in the following order.  
“DCX1” (Model name) → “U2\*1” (Destination) → MC → SYS  
↑  
TM ← DSP ← TA ← ST ← CDMB ← CDMA ← DVD ← UI  
\*1: U2 changes depending on destination.
- Press the button and the date of the software production is displayed.
- Press the button again and the version is displayed.
- To exit from this mode, press three buttons , and simultaneously.

#### 2-3. Key Test Mode

##### Procedure:

- When the display test mode is activated, press the button, to select the key test mode.
- To enter the KEY test mode, the fluorescent indicator displays “K0 V0”. Each time a button is pressed, “KEY” value increases. However, once a button is pressed, it is no longer taken into account. When all keys are pressed correctly, “K8 V0” is displayed.
- When the control is turned in the direction of (+), “V0” is changed to “V1”, then ... “V9”.  
When the control is turned in the direction of (-), “V0” is changed to “V9”, then ... “V1”.
- To exit from this mode, press three buttons , and simultaneously.

### 3. Disc Tray Lock

The disc tray lock function for the antitheft of an demonstration disc in the store is equipped.

#### Setting Procedure :

- Press the button to turn the set on.
- Press the button to set DVD function.
- Insert a disc.
- Press the button and the button simultaneously for five seconds.
- The message “LOCKED” is displayed and the tray is locked.

#### Releasing Procedure :

- Press the button and the button simultaneously for five seconds again.
- The message “UNLOCKED” is displayed and the tray is unlocked.

**Note:** When “LOCKED” is displayed, the slot lock is not released by turning power on/off with the button.

### 4. DVD Ship Mode

- Use this mode when returning the set to the customer after repair.

#### Procedure:

- Press the button to turn the set on.
- Press the button to set the function “DVD”.
- Remove all discs, and then press two buttons and simultaneously.
- After a message “MECHA LOCK” is displayed on the fluorescent indicator tube, pull out the AC plug.
- To exit from this mode, press the button to turn the set on.

### 5. AM Step Change

- A step of AM channels can be changed over between 9 kHz and 10 kHz.

#### Procedure:

- Press the button to turn the set ON.
- Select the function “TUNER”, and press button to select the BAND “AM”.
- Press the button to turn the set OFF.
- Press two buttons and simultaneously, and the display of fluorescent indicator tube changes to “AM 9 k STEP” or “AM 10 k STEP”, and thus the channel step is changed over.

### 6. Volume Test Mode

#### Procedure:

- Press the button to turn the power on.
- Press three buttons , and simultaneously.
- The message “VOLUME MAX” is displayed, when the control is turned in the direction of (+).  
The message “VOLUME MIN” is displayed, when the control is turned in the direction of (-).
- To exit from this mode, press the button to turn the set off.

### 7. Product Out

This mode moves the optical pick-up to the position durable to vibration and clears all data including preset data stored in the RAM to initial conditions. Use this mode when returning the set to the customer after repair.

#### Procedure:

- Press the button to turn the power on.
- Press the button to set the function “DVD”.
- Remove all discs, and then press three buttons , and simultaneously.
- After the “STANDBY” blinking display finishes, the message “MECHA LOCK” is displayed on the fluorescent indicator tube disconnect the AC power plug, then the ship mode is set. disconnect the AC power plug, then the ship mode is set.



**DVD SECTION**

**8-1. GENERAL DESCRIPTION**

The IOP measurement allows you to make diagnosis and adjustment simply by using the remote commander and monitor TV. The instructions, diagnosis results, etc. are given on the on-screen display (OSD).

Be sure to execute the IOP measurement when a BU (Base Unit) is replaced.

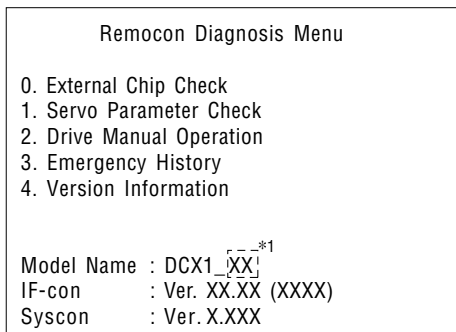
**8-2. HOW TO ENTER TEST MODE**

While pressing the  and  buttons simultaneously, turn **VOLUME +** with the DVD player in power on.

The Test Mode starts, then the menu shown below will be displayed on the TV screen.

\* The display of the "Model Name" of the "Remocon Diagnosis Menu" change with the model and the destination. Refer to below on the model name.

DX155 : DCX1  
DX255 : DCX1D





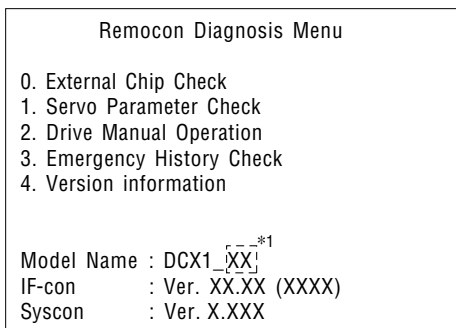
\*1: Changes depending on destination

The menu above is the Remocon Diagnosis Menu screen which consists of five main functions. At the bottom of the menu screen, the model name and IF-con version. To exit from the Test Mode, press the power button on the remote commander.

**8-3. EXECUTING IOP MEASUREMENT**

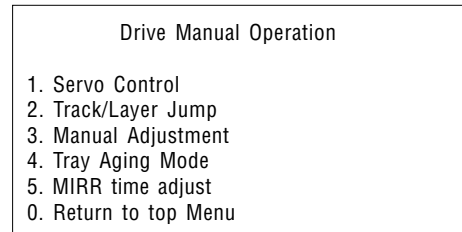
In order to execute IOP measurement, the following standard procedures must be followed.

- (1) In power on, while pressing the  and  buttons simultaneously, turn **VOLUME +**.

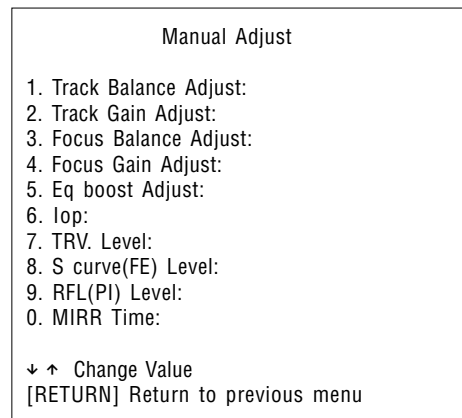


\*1: Changes depending on destination

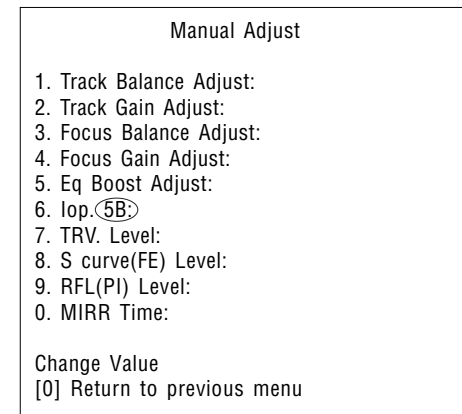
- (2) Select "2. Drive Manual Operation" by pressing the **2 "R"** button on the remote commander. The screen will appear as shown.



- (3) Select "3. Manual Adjustment" by pressing the **3 "R"** button on the remote commander. The screen will appear as shown.



- (4) Select "6.IOP" by pressing the **6 "R"** button on the remote commander.
- (5) Wait until a hexadecimal number appear.



- (6) Convert each data from hexadecimal to decimal using conversion table.
- (7) Please find the label on the rear of the BU (Base Unit). The default IOP value is written in the label.
- (8) Subtract between these two values.
- (9) If the remainder is smaller than 93 (decimal), then it is OK. However if the value is higher than 93, then the BU is defective and need to be change.
- (10) Press the **RETURN "R"** button to return back to previous menu.
- (11) Press the **0 "R"** button to return to Top Menu and power off the DVD Player.

**8-4. EMERGENCY HISTORY**

To check the emergency history, please follow the following procedure.

- (1) From the Top Menu of Remocon Diagnosis Menu, select “3. Emergency History Check” by pressing the [3 “R”] button on the remote commander. The following screen appears on the on-screen display.

Emg.History Check			
Laser Hours	CD DVD	999h 999h	59min 59min
1. 01 05 04 04		00 92 46	00
00 00 00 00		00 00 23	45
2. 02 02 01 01		00 A9 4B	00
00 00 00 00		00 00 23	45
<input type="button" value="Next"/> Next Page <input type="button" value="Prev"/> Prev Page <input type="button" value="0"/> Return to Top Menu			

- (2) You can check the total time when the laser is turned on during playback of DVD and CD from the above menu. The maximum time, which can be displayed are 999h 59min.
- (3) You can check the error code of latest 10 emergency history from the above menu. To view the previous or next page of emergency history, press [◀◀ “R”] or [▶▶ “R”] on the remote commander. The error code consists of the following three blocks. The first block indicates the error code. The second block indicates the parameter and the third block indicates the time of error code as shown below.

**• Error Code**

Emg.History Check			
Laser Hours	CD DVD	999h 999h	59min 59min
1. <sup>*1</sup> 01 <sup>*2</sup> 05 04 04		00 92 46	00
00 00 00 00		00 00 23	45 <sup>*3</sup>
2. 02 02 01 01		00 A9 4B	00
00 00 00 00		00 00 23	45
<input type="button" value="Next"/> Next Page <input type="button" value="Prev"/> Prev Page <input type="button" value="0"/> Return to Top Menu			

- \*1 : Error Code
- \*2 : Parameter of error code
- \*3 : Time of error code

**The meaning of error code is as below:**

- 01: Communication error (No reply from syscon)
- 02: Syscon hung up
- 03: Power OFF request when syscon hung up
- 19: Thermal shutdown
- 24: MoveSledHome error
- 25: Mechanical move error (5 Changer)
- 26: Mechanical move stack error
- 30: DC motor adjustment error
- 31: DPD offset adjustment error
- 32: TE balance adjustment error
- 33: TE sensor adjustment error
- 34: TE loop gain adjustment error
- 35: FE loop gain adjustment error
- 36: Bad jitter after adjustment
- 40: Focus NG
- 42: Focus layer jump NG
- 52: Open kick spindle error
- 51: Spindle stop error
- 60: Focus on error
- 61: Seek fail error
- 62: Read Q data/ID error
- 70: Lead in data read fail
- 71: TOC read time out (CD)
- 80: Can't buffering
- 81: Unknown media type

**8-4-1. Clear the Laser Hour**

Press [DISPLAY “R”] button and then press [CLEAR “R”] button. The data for both CD and DVD data are reset.

Emg.History Check			
Laser Hours	CD DVD	0h 0h	0min 0min
1. 01 05 04 04		00 92 46	00
00 00 00 00		00 00 23	45
2. 02 02 01 01		00 A9 4B	00
00 00 00 00		00 00 23	45
<input type="button" value="Next"/> Next Page <input type="button" value="Prev"/> Prev Page <input type="button" value="0"/> Return to Top Menu			

**8-4-2. Clear the Emergency History**

Press [TOP MENU “R”] button and then press [CLEAR “R”] button. The error code for all emergency history would be reset.

Emg.History Check			
Laser Hours	CD DVD	999h 999h	59min 59min
1. 00 00 00 00		00 00 00	00
00 00 00 00		00 00 00	00
2. 00 00 00 00		00 00 00	00
00 00 00 00		00 00 00	00
<input type="button" value="Next"/> Next Page <input type="button" value="Prev"/> Prev Page <input type="button" value="0"/> Return to Top Menu			

**8-4-3. Clear the Initialize Setup Data**

Press [MENU “R”] button and then press [CLEAR “R”] button on the remote commander.

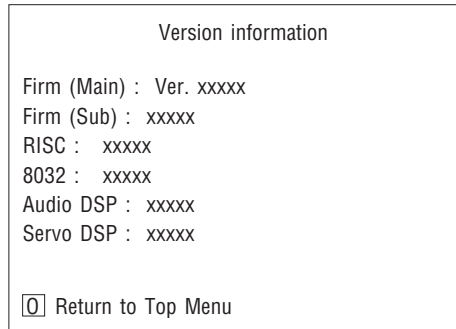
#### 8-4-4. Return to the Top Menu of Remocon Diagnosis Menu

Press  button on the remote commander.

- **Check Version Information**

To check the version information, please follow the following procedure.

- (1) From the Top Menu of Remocon Diagnosis Menu, select "4. Version Information" by pressing the  button on the remote commander. The following screen appears on the on-screen display.



To return to the Top Menu of Remocon Diagnosis Menu, press  on the remote commander.

## SECTION 5 ELECTRICAL ADJUSTMENT

### DVD SECTION

When the base unit is replaced, perform the adjustment and the measurement as shown below in this order.

EXECUTING IOP MEASUREMENT (See page 25)

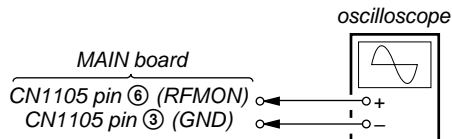
#### [TEST DISC LIST]

Be sure to use the DVD disc that matches the signal standards of your region.

- CD      YEDS-18      (Part No.: 3-702-101-01)  
            PATD-012      (Part No.: 4-225-203-01)
- DVD SL (Single Layer)
  - NTSC : HLX-503      (Part No.: J-6090-069-A)
  - HLX-504      (Part No.: J-6090-088-A)
  - PAL : HLX-506      (Part No.: J-6090-077-A)
- DVD DL (Dual Layer)
  - NTSC : HLX-501      (Part No.: J-6090-071-A)
  - HLX-505      (Part No.: J-6090-089-A)
  - PAL : HLX-507      (Part No.: J-6090-078-A)

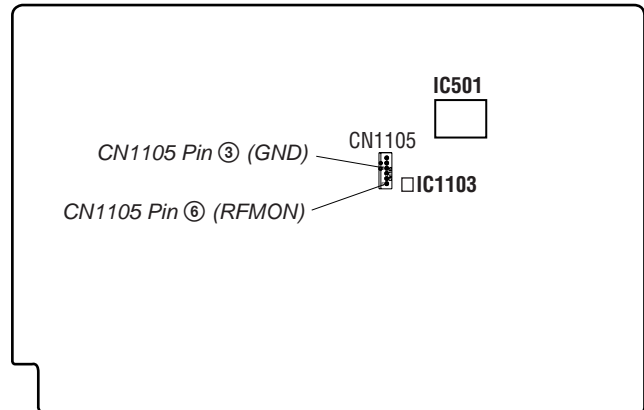
#### [RF Level Check]

Connection:



Checking Location: MAIN board (Side A)

#### [ MAIN BOARD ] (SIDE A)

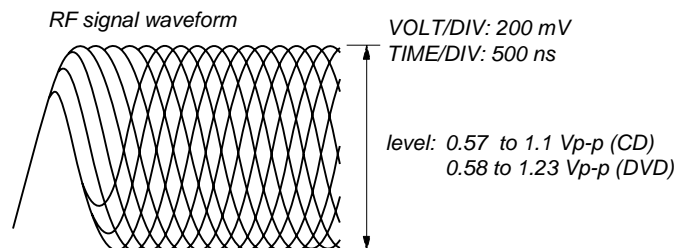


#### Procedure:

1. Connect an oscilloscope to CN1105 pin 6 (RFMON) and CN1105 pin 3 (GND) on the MAIN board.
2. Turn the power on.
3. Insert the CD test disc (refer to the TEST DISC LIST), and press the button to play the disc back.
4. Confirm that oscilloscope waveform is clear and check RF signal level is correct or not.

**Note:** A clear RF signal waveform means that the shape "∩" can be clearly distinguished at the center of the waveform.

5. Eject the CD disc, and insert the DVD SL test disk (refer to the TEST DISC LIST), and press the button to play the disc back.



## SECTION 6 DIAGRAMS

**THIS NOTE IS COMMON FOR PRINTED WIRING BOARDS AND SCHEMATIC DIAGRAMS.**  
(In addition to this, the necessary note is printed in each block.)

**For Schematic Diagrams.**

- Note:**
- All capacitors are in  $\mu\text{F}$  unless otherwise noted. (p: pF) 50 WV or less are not indicated except for electrolytics and tantalums.
  - All resistors are in  $\Omega$  and  $1/4\text{W}$  or less unless otherwise specified.
  - $\Delta$  : internal component.
  - $\square$  : panel designation.

**Note:**  
The components identified by mark  $\Delta$  or dotted line with mark  $\Delta$  are critical for safety. Replace only with part number specified.

**Note:**  
Les composants identifiés par une marque  $\Delta$  sont critiques pour la sécurité. Ne les remplacer que par une pièce portant le numéro spécifié.

☆ New part of EEP ROM (IC1103) on the MAIN board cannot be used. Therefore, if the mounted MAIN board (A-1151-985-A, etc.) is replaced, exchange new EEP ROM (IC1103) with that used before the replacement.

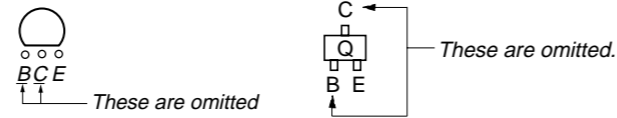
- : B+ Line.
- Voltages and waveforms are dc with respect to ground under no-signal (detuned) conditions.
- Voltages and waveforms are dc with respect to ground in service mode.
- Waveforms are taken with a oscilloscope. Voltage variations may be noted due to normal production tolerances.
- no mark : DVD STOP
- \* : Impossible to measure
- Voltages are taken with VOM (Input impedance 10 M $\Omega$ ).
- Circled numbers refer to waveforms.
- Signal path.
  - : AUDIO
  - : CD PLAY
  - : DVD PLAY
  - : SACD PLAY
  - : TUNER
  - : VIDEO
  - : Y
  - : CHROMA
  - : COMPONENT VIDEO
  - : R, G, B
  - : AUDIO IN
- Abbreviation
  - AUS : Australian model
  - CND : Canadian model
  - E3 : 240V AC area in E model
  - MX : Mexican model
  - SP : Singapore model

**For Printed Wiring Boards.**

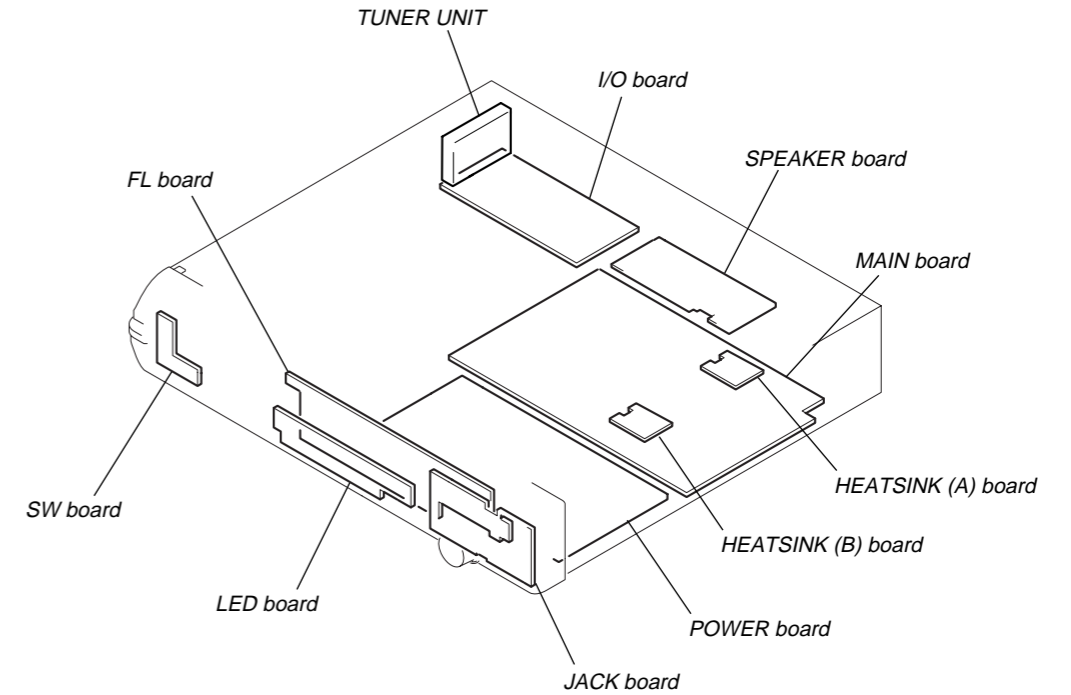
- Note:**
- : parts extracted from the component side.
  - : Through hole.
  - : Pattern from the side which enables seeing. (The other layers' patterns are not indicated.)

**Caution:**  
Pattern face side: Parts on the pattern face side seen from (SIDE A) the pattern face are indicated.  
Parts face side: Parts on the parts face side seen from (SIDE B) the parts face are indicated.

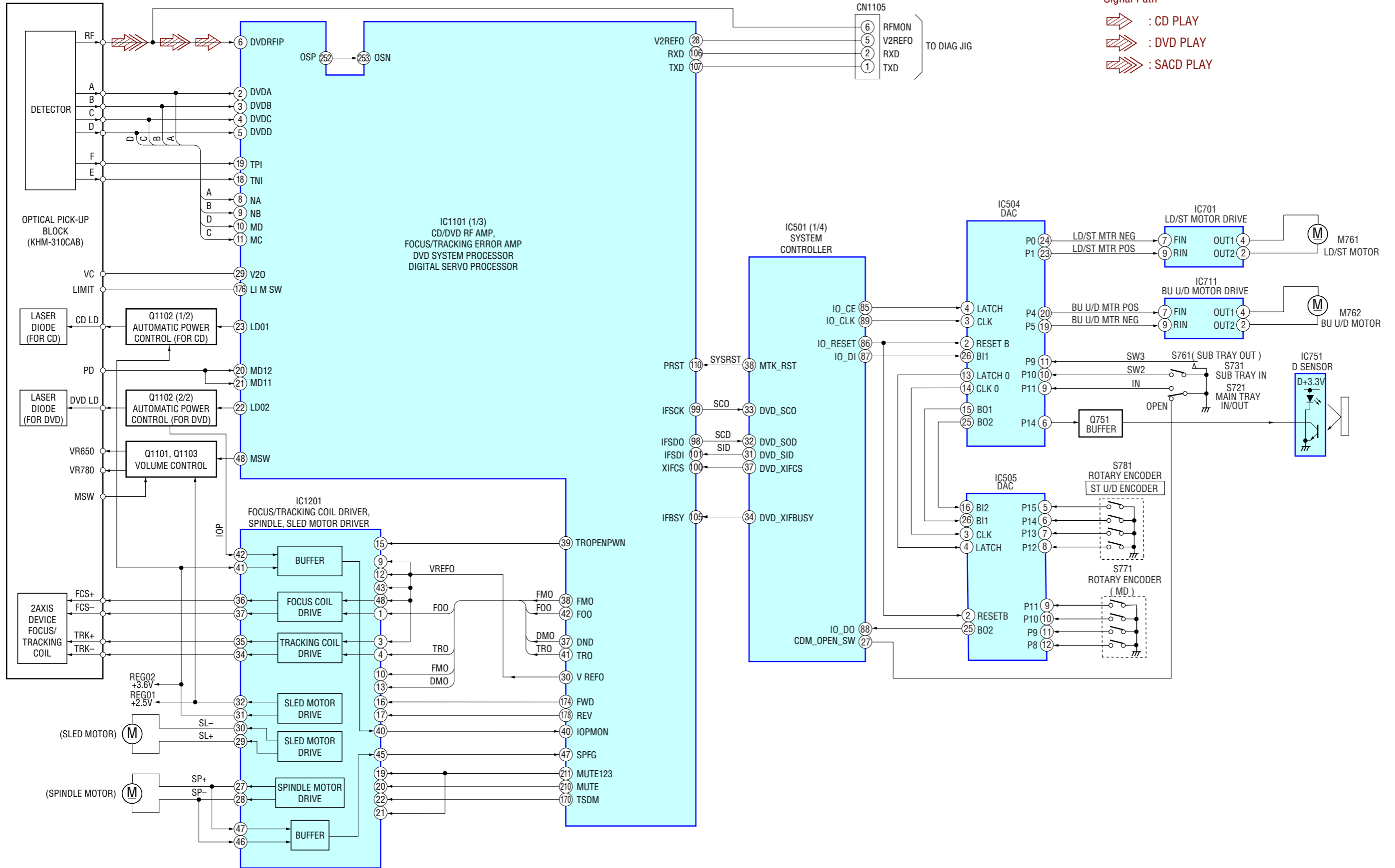
• Indication of transistor.



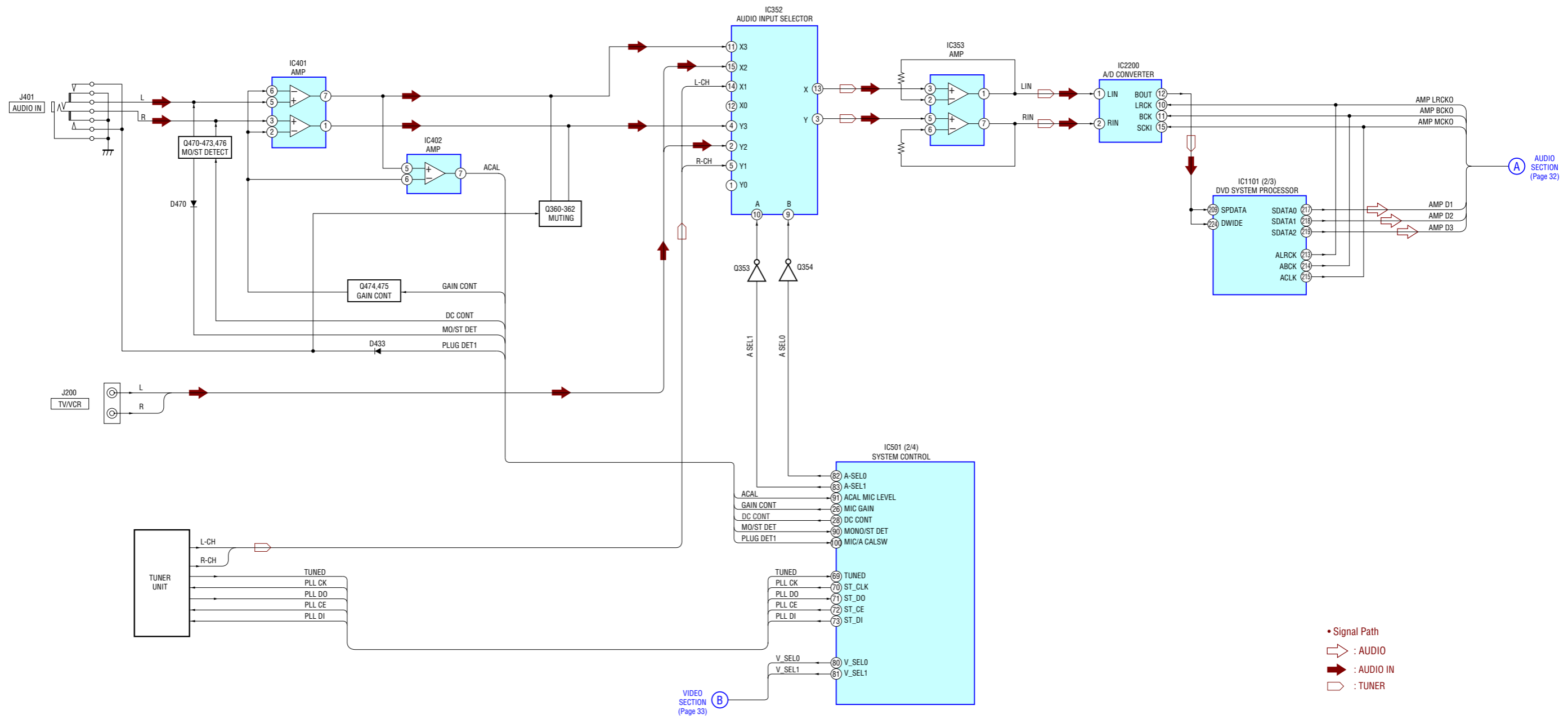
• Circuit Boards Location



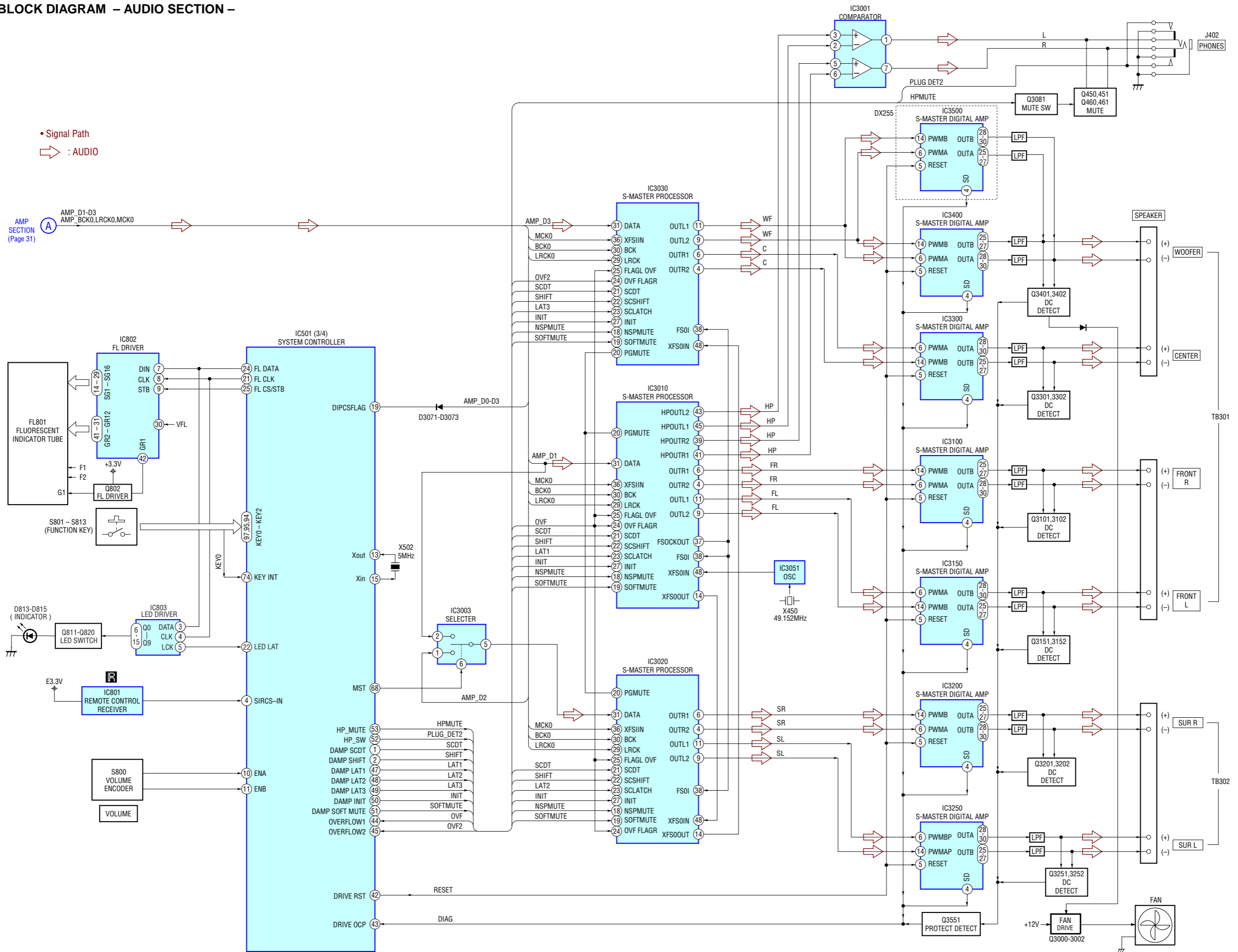
6-1. BLOCK DIAGRAM – RF SECTION –



6-2. BLOCK DIAGRAM – AMP SECTION –

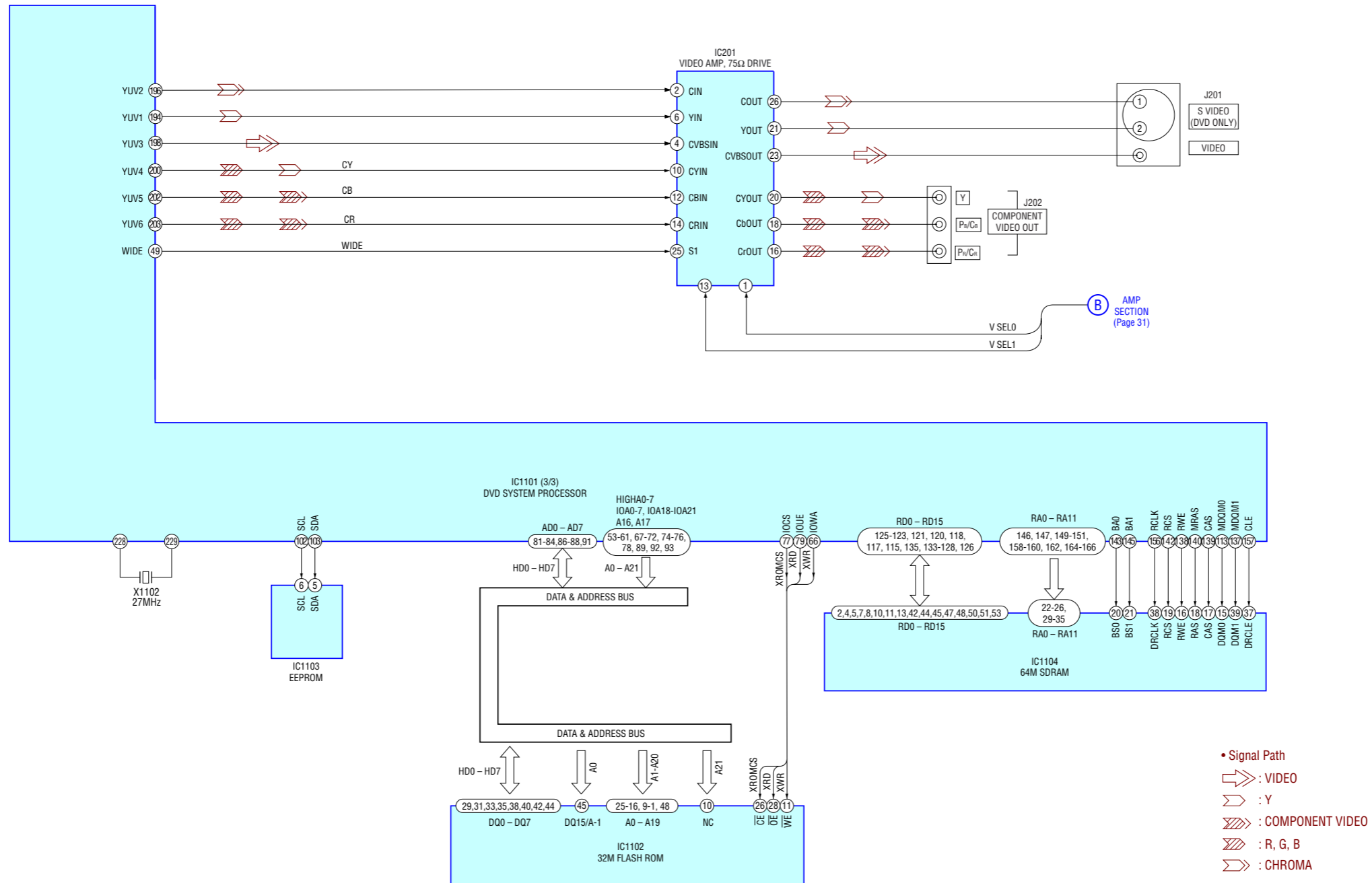


6-3. BLOCK DIAGRAM – AUDIO SECTION –

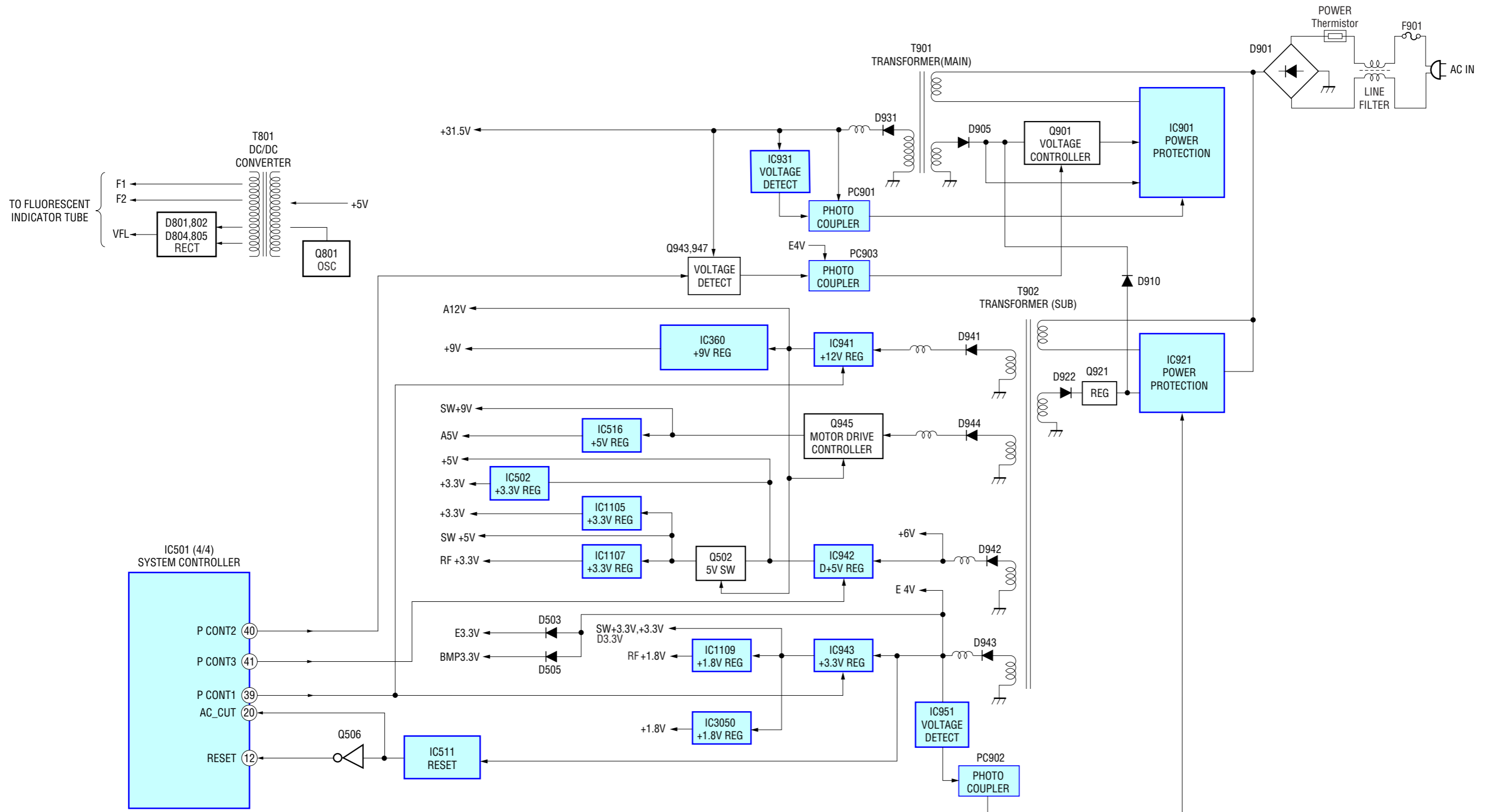




6-4. BLOCK DIAGRAM – VIDEO SECTION –

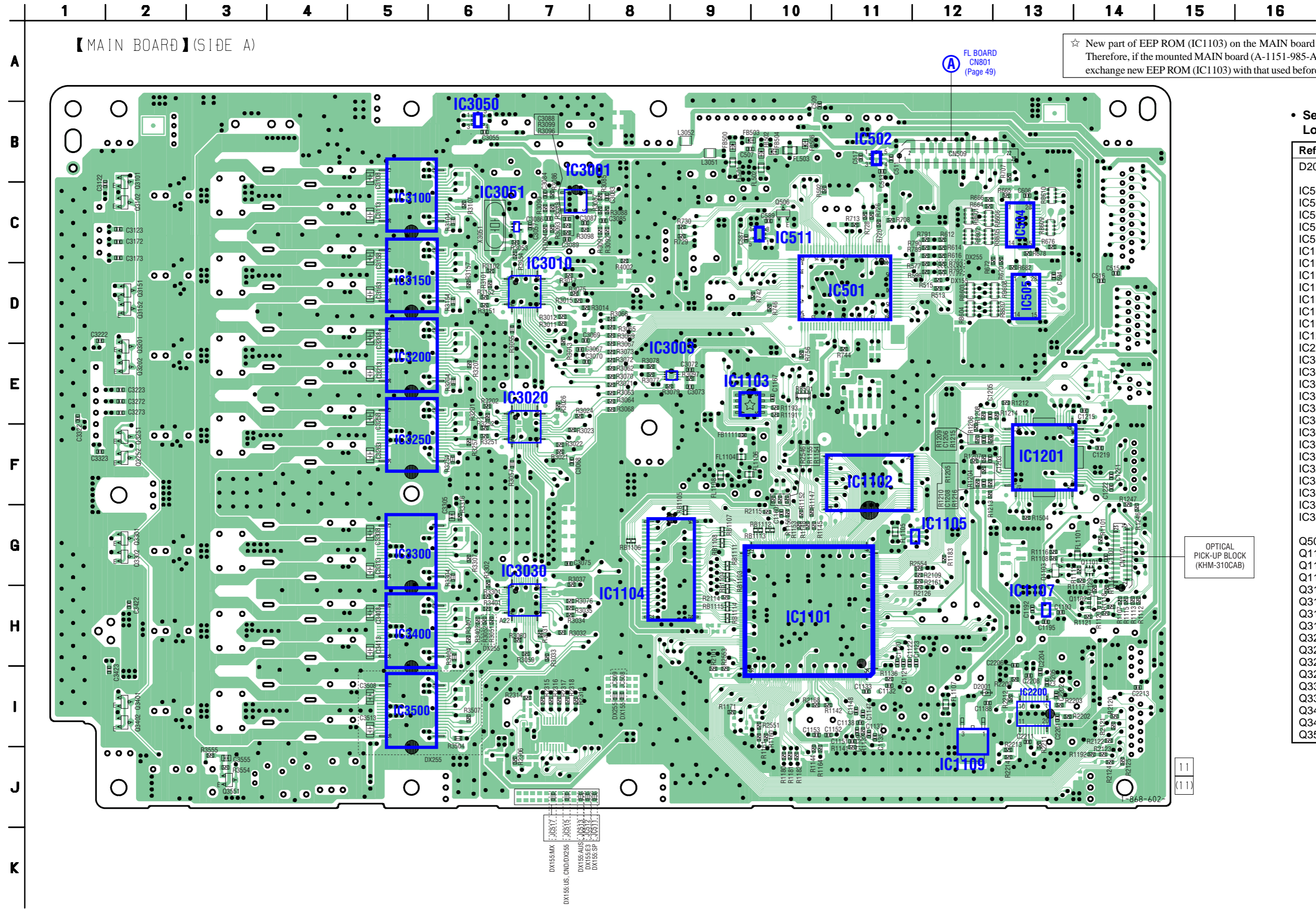


6-5. BLOCK DIAGRAM – POWER SECTION –



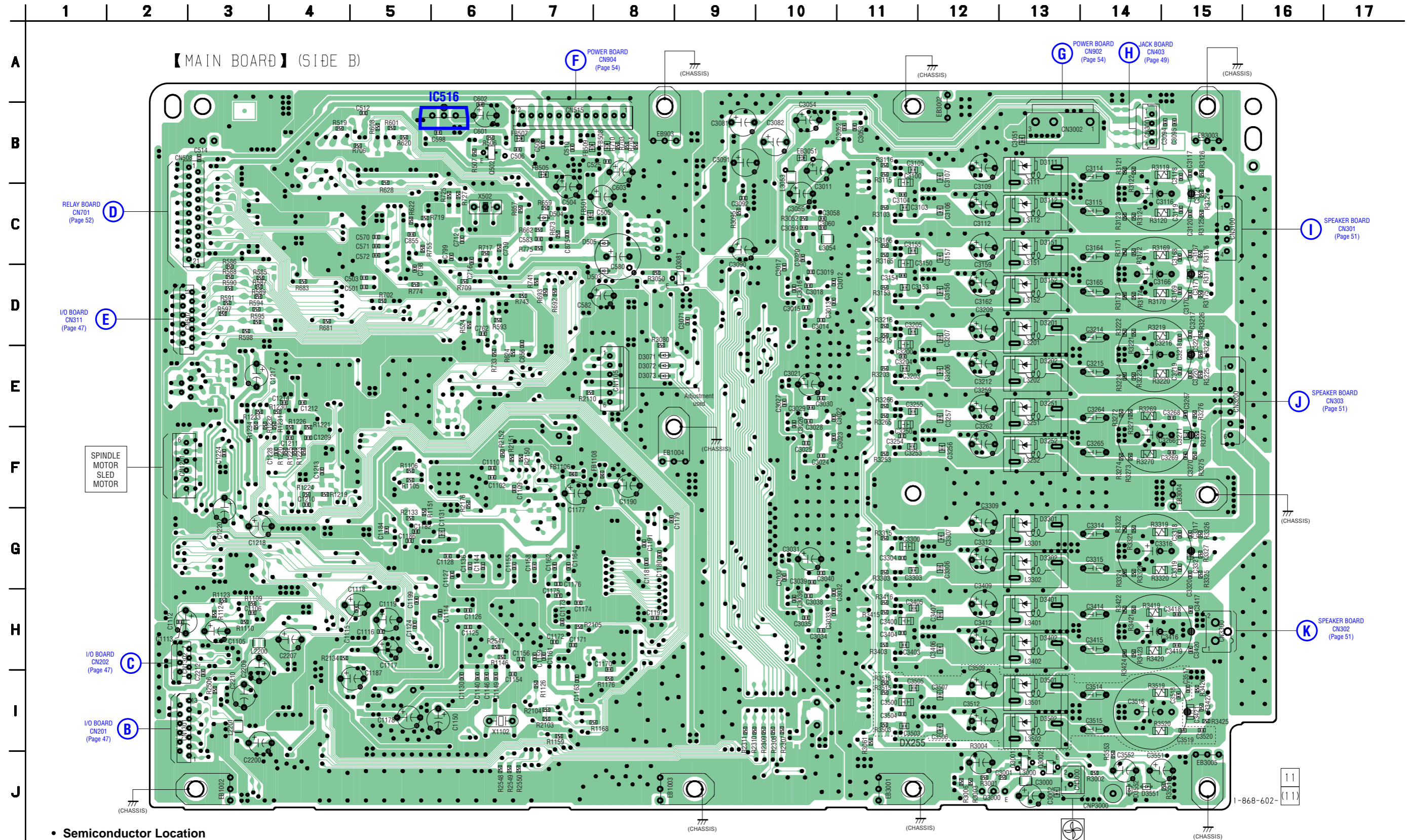
6-6. PRINTED WIRING BOARD – MAIN BOARD (SIDE A) –

• See page 29 for Circuit Boards Location.  :Uses unleaded solder.



• Semiconductor Location

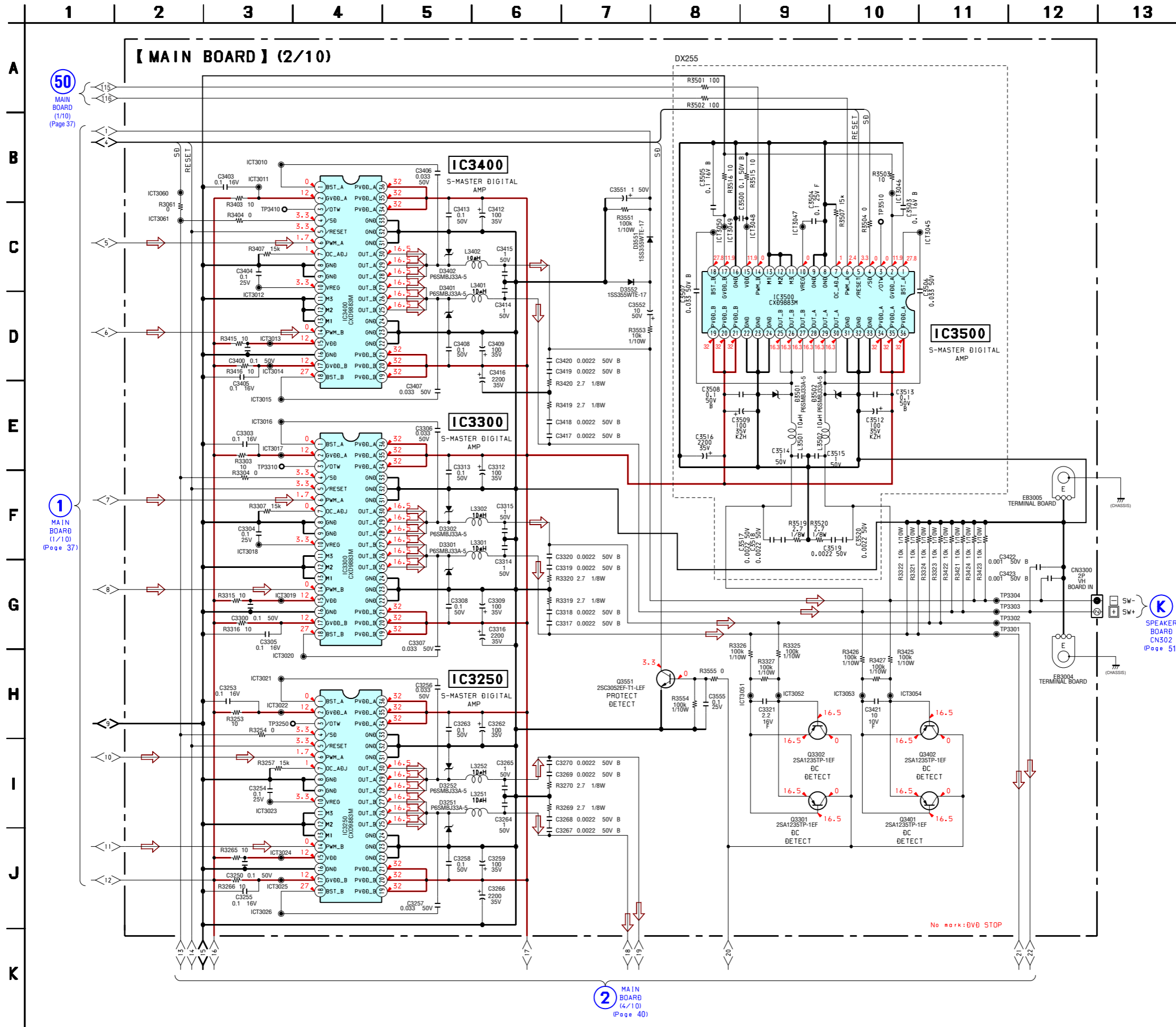
Ref. No.	Location
D2001	I-12
IC501	D-11
IC502	B-11
IC504	B-13
IC505	C-13
IC511	C-10
IC1101	H-10
IC1102	F-11
IC1103	E-9
IC1104	H-8
IC1105	G-12
IC1107	H-13
IC1109	J-12
IC1201	F-13
IC2200	I-13
IC3001	C-7
IC3003	E-8
IC3010	D-7
IC3020	E-7
IC3030	H-7
IC3050	B-6
IC3051	C-7
IC3100	C-5
IC3150	D-5
IC3200	E-5
IC3250	F-5
IC3300	G-5
IC3400	H-5
IC3500	I-5
Q506	C-10
Q1101	G-14
Q1102	H-14
Q1103	G-13
Q3101	C-2
Q3102	C-2
Q3151	D-2
Q3152	D-2
Q3201	E-2
Q3202	E-2
Q3251	F-2
Q3252	F-2
Q3301	G-2
Q3302	G-2
Q3401	I-2
Q3402	I-2
Q3551	J-3



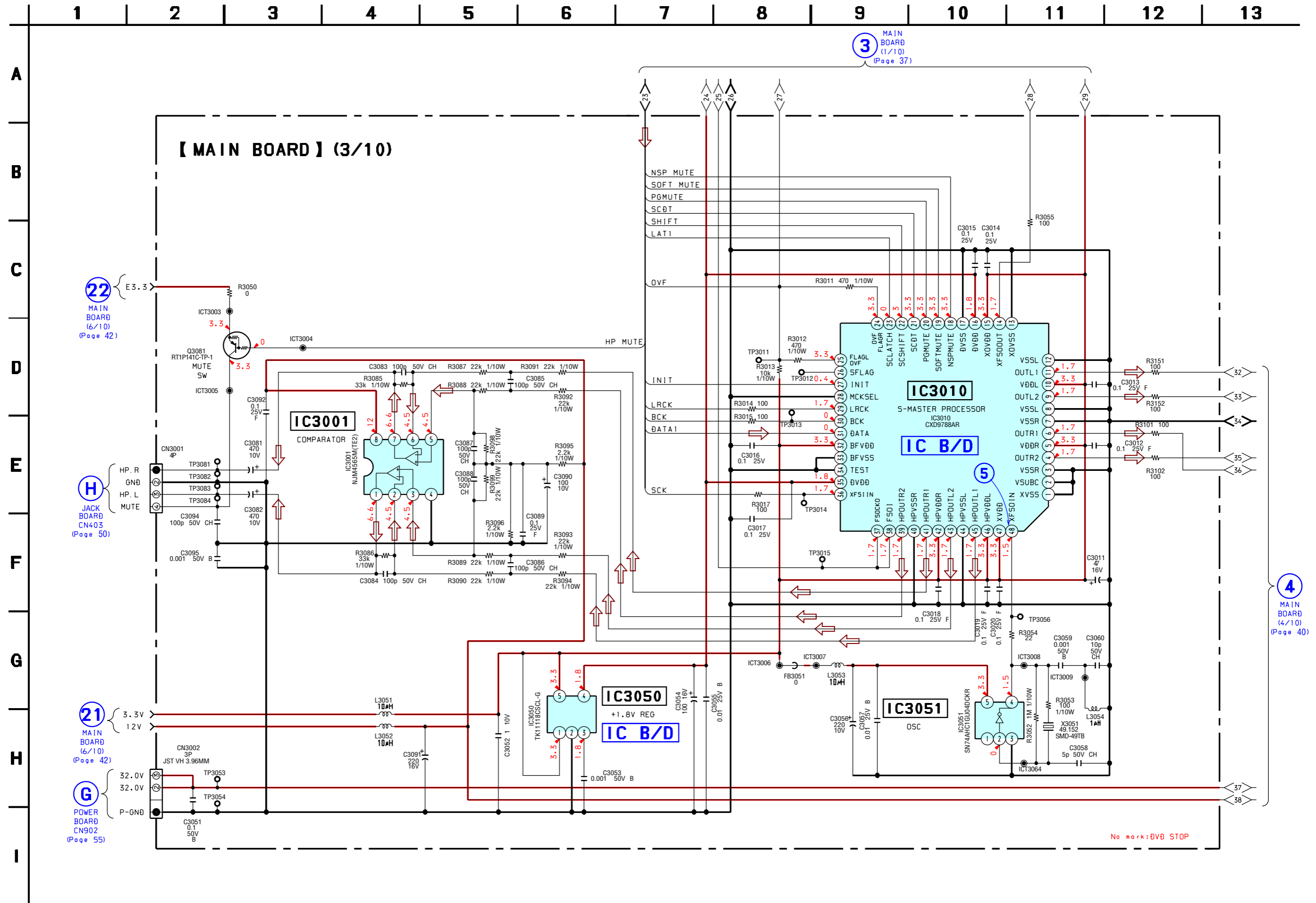
• Semiconductor Location

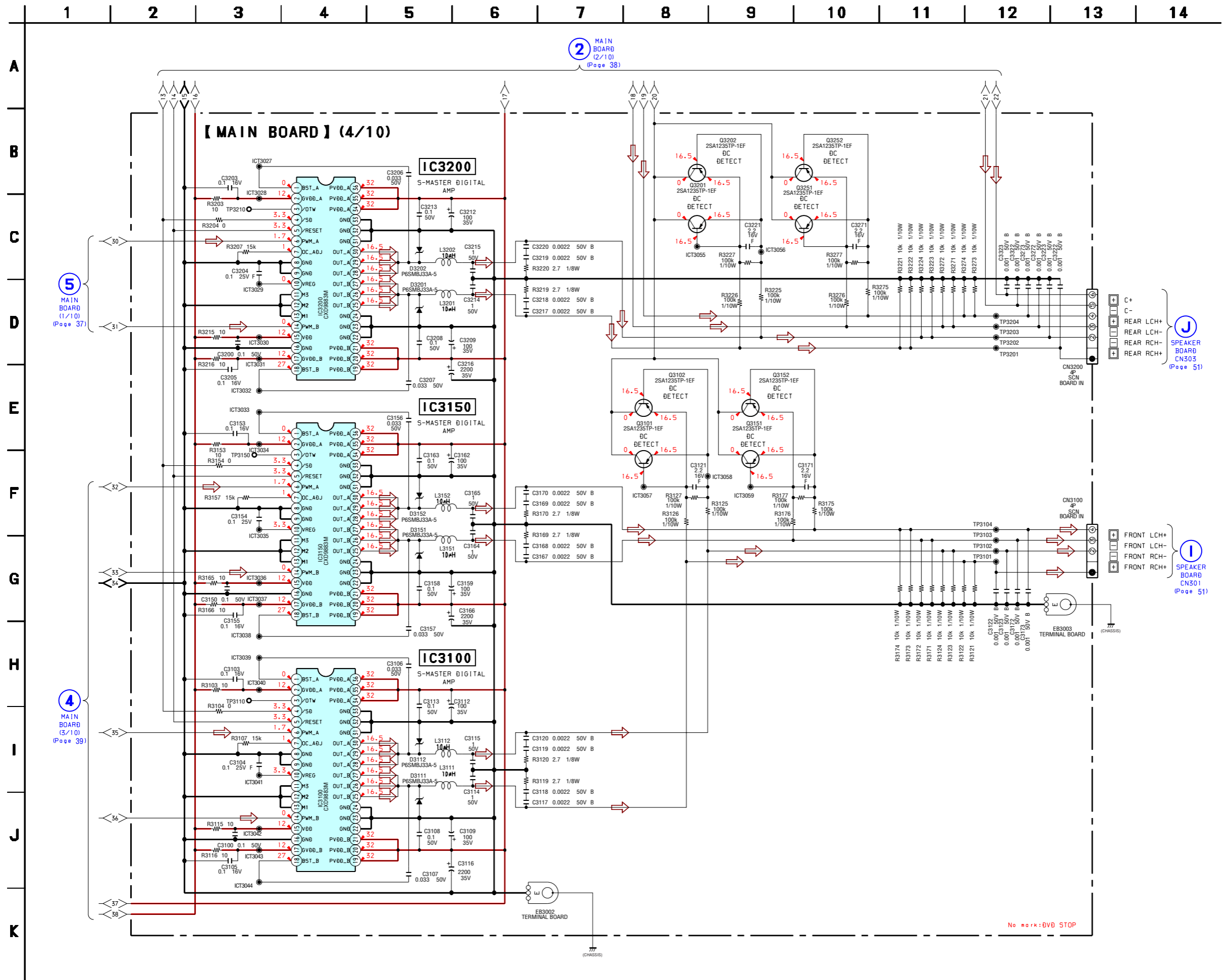
Ref. No.	Location	Ref. No.	Location	Ref. No.	Location
D503	D-8	D3201	D-13	D3551	J-14
D504	C-7	D3202	E-13	D3552	J-14
D505	C-8	D3251	E-13		
D3071	E-8	D3252	F-13	IC516	B-6
D3072	E-8	D3301	G-13	Q502	B-6
D3073	E-8	D3302	G-13	Q3000	J-12
D3111	B-13	D3401	H-13	Q3001	J-13
D3112	C-13	D3402	H-13	Q3002	J-13
D3151	C-13	D3501	I-13	Q3081	D-9
D3152	D-13	D3502	I-13		





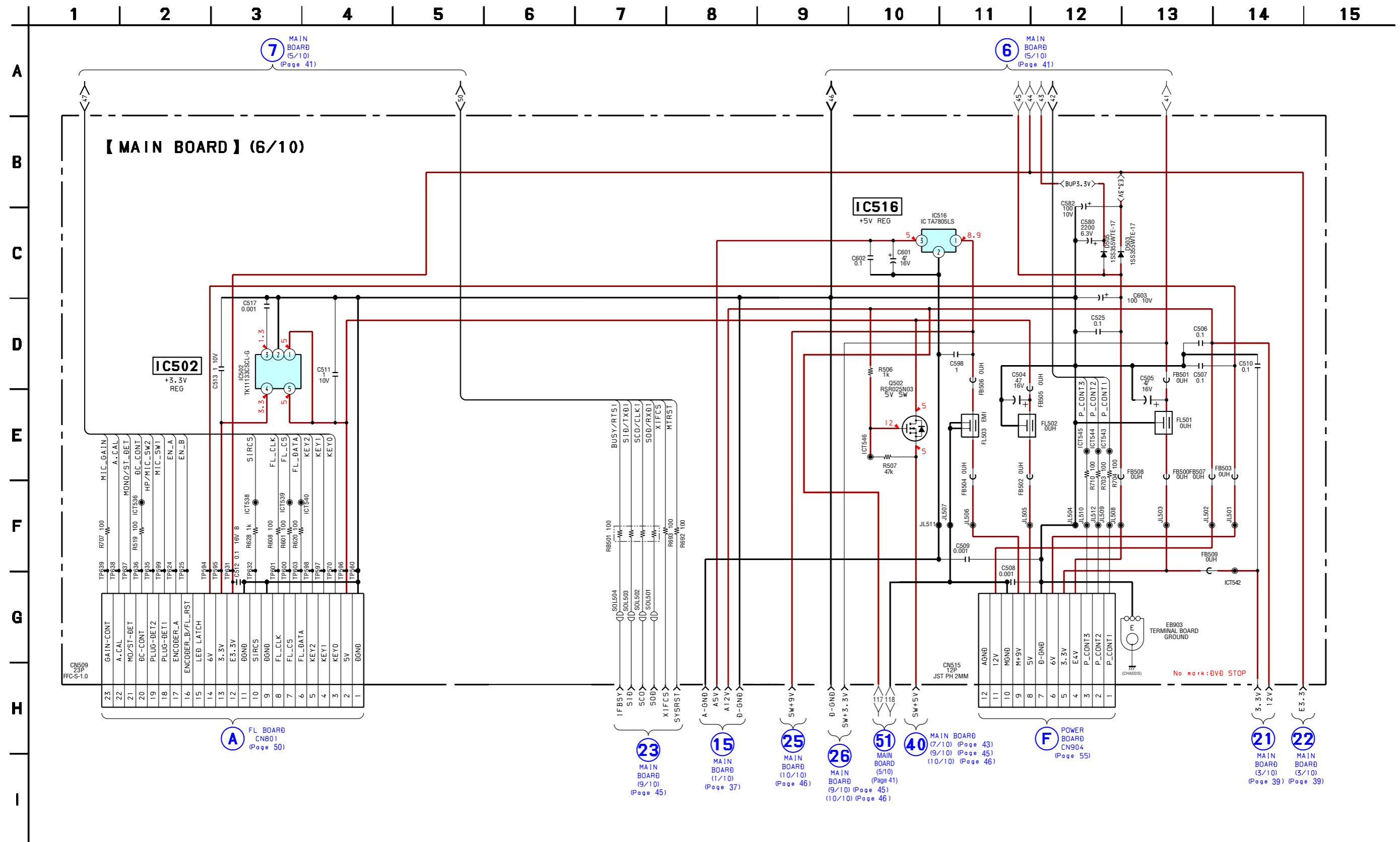
6-10. SCHEMATIC DIAGRAM – MAIN BOARD (3/10) – • See page 56 for Waveform. • See page 56, 57 for IC Block Diagrams.



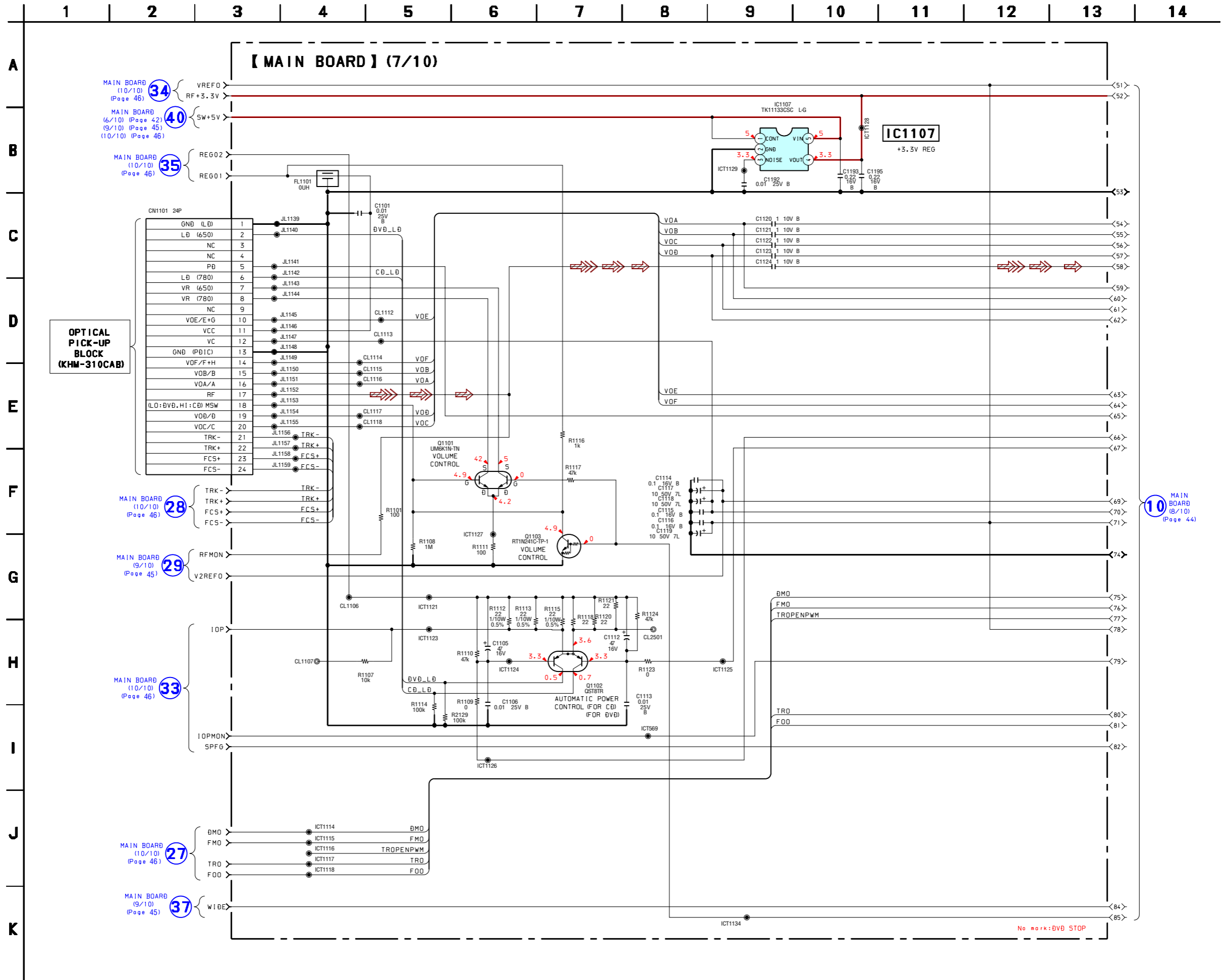




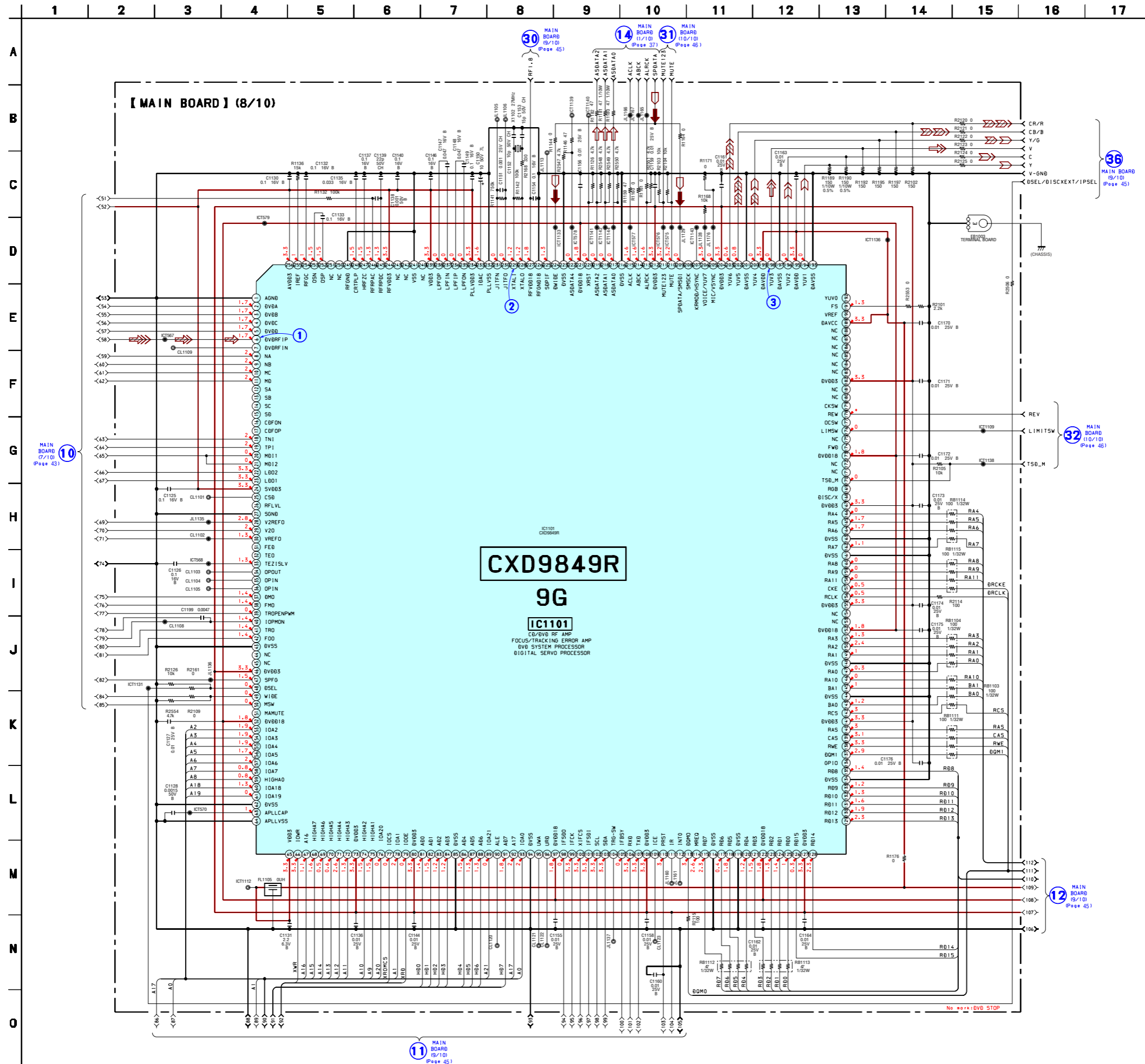




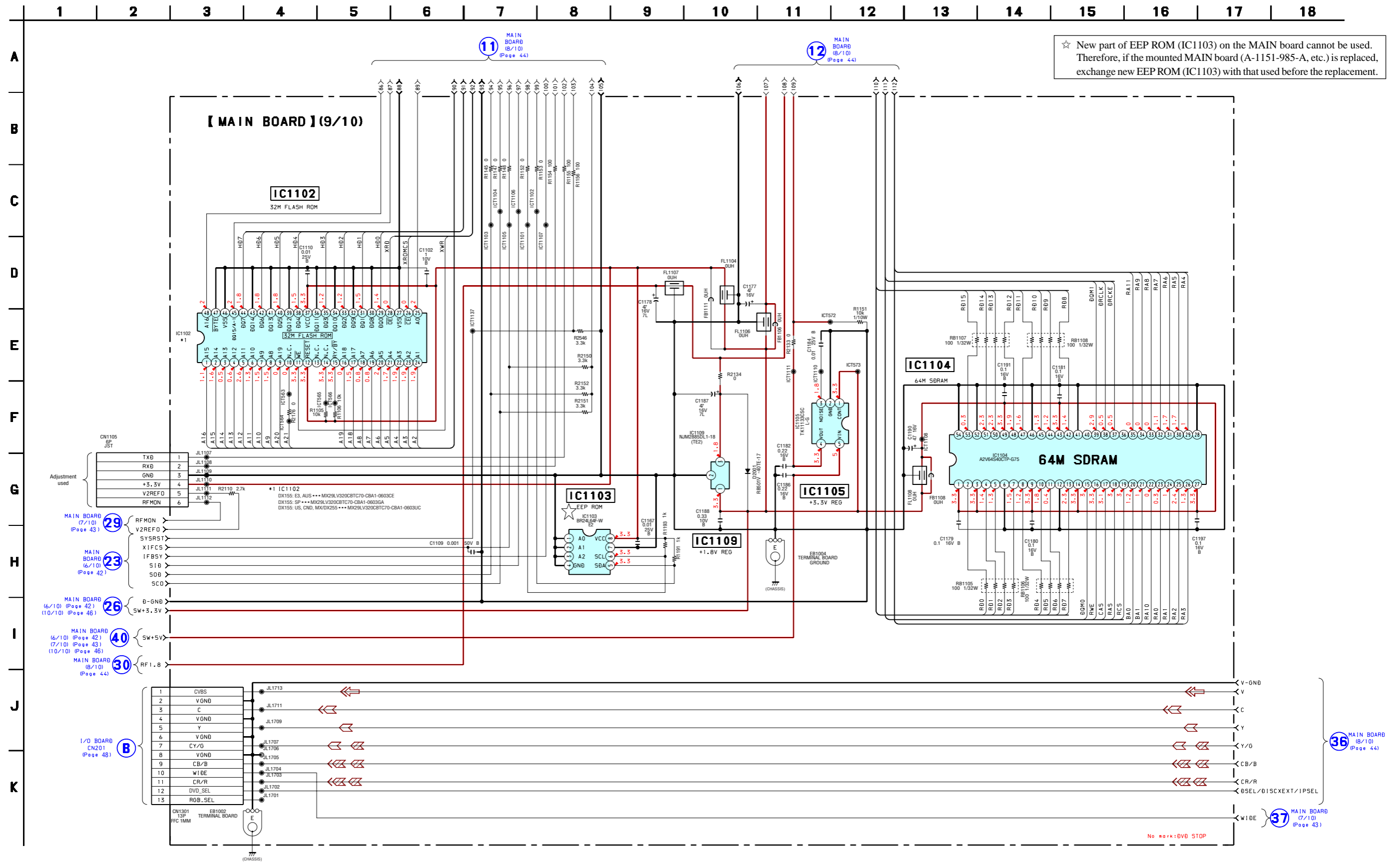
6-14. SCHEMATIC DIAGRAM – MAIN BOARD (7/10) –

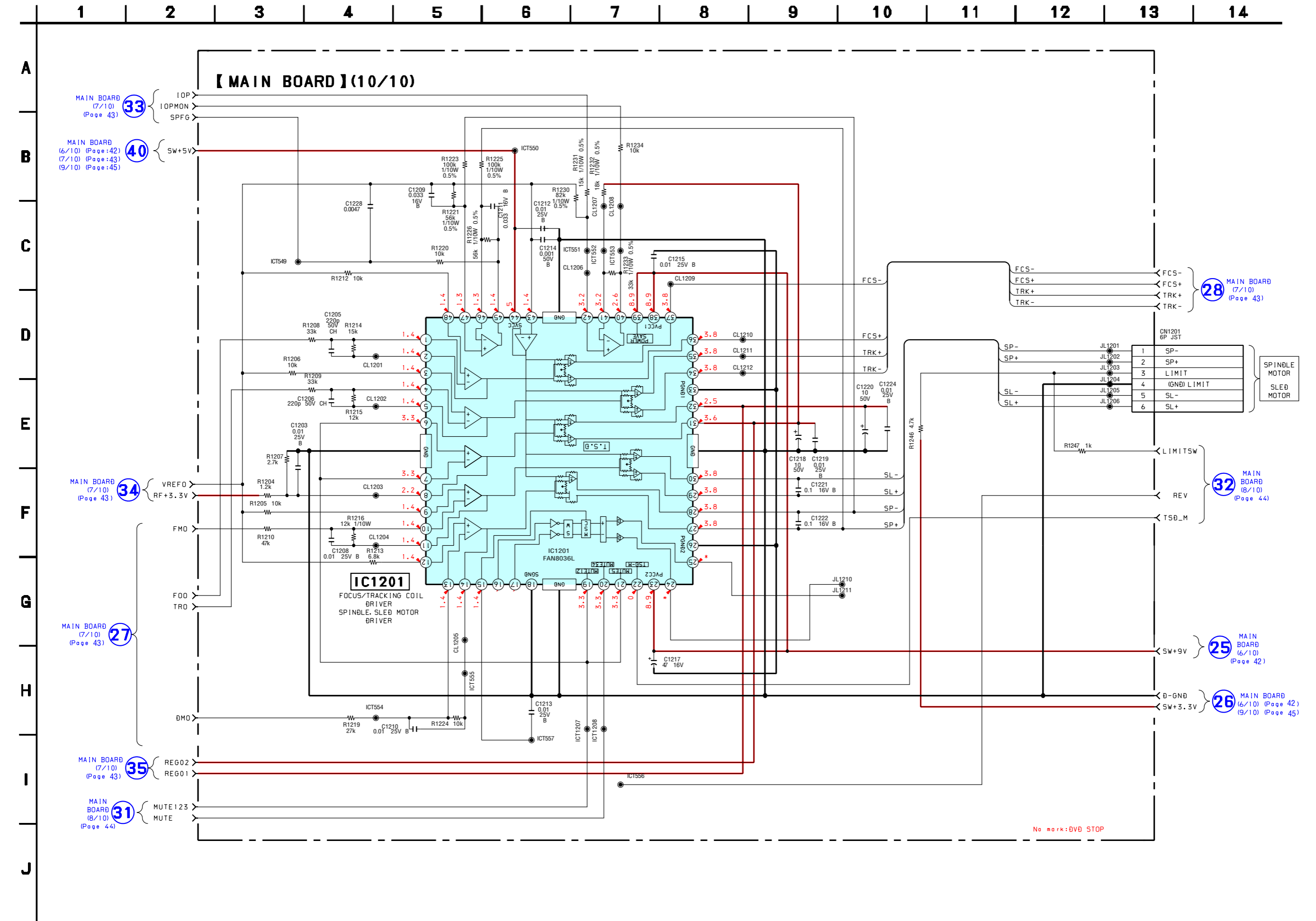


6-15. SCHEMATIC DIAGRAM – MAIN BOARD (8/10) – • See page 56 for Waveforms. • See page 62 for IC Pin Function Description.

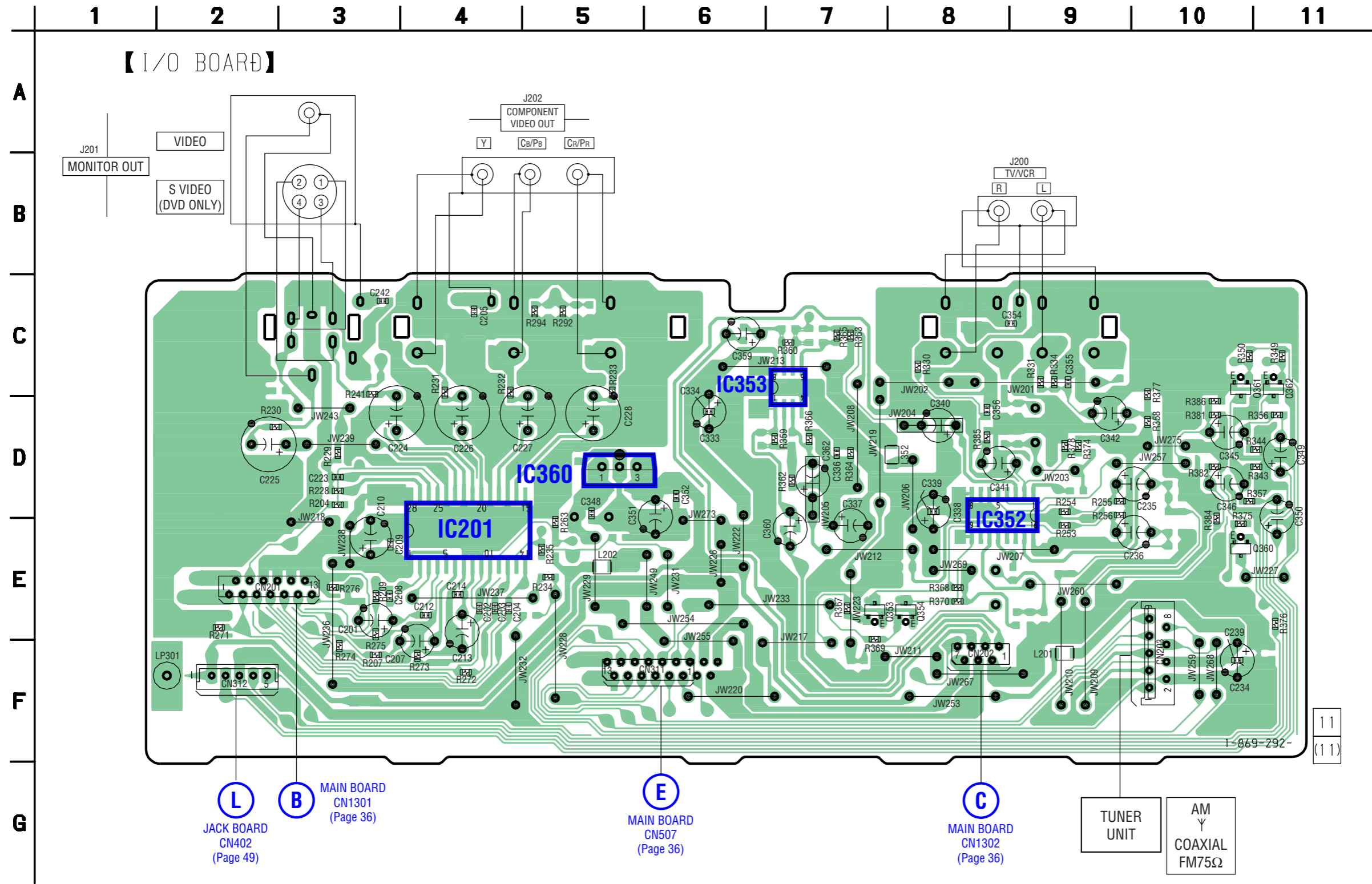


6-16. SCHEMATIC DIAGRAM – MAIN BOARD (9/10) –





6-18. PRINTED WIRING BOARD – I/O BOARD – • See page 29 for Circuit Boards Location.  :Uses unleaded solder.



• Semiconductor Location

Ref. No.	Location
IC201	E-4
IC352	D-8
IC353	C-7
IC360	D-5
Q353	E-7
Q354	E-8
Q360	E-10
Q361	C-10
Q362	C-11

**L**  
JACK BOARD  
CN402  
(Page 49)

**B** MAIN BOARD  
CN1301  
(Page 36)

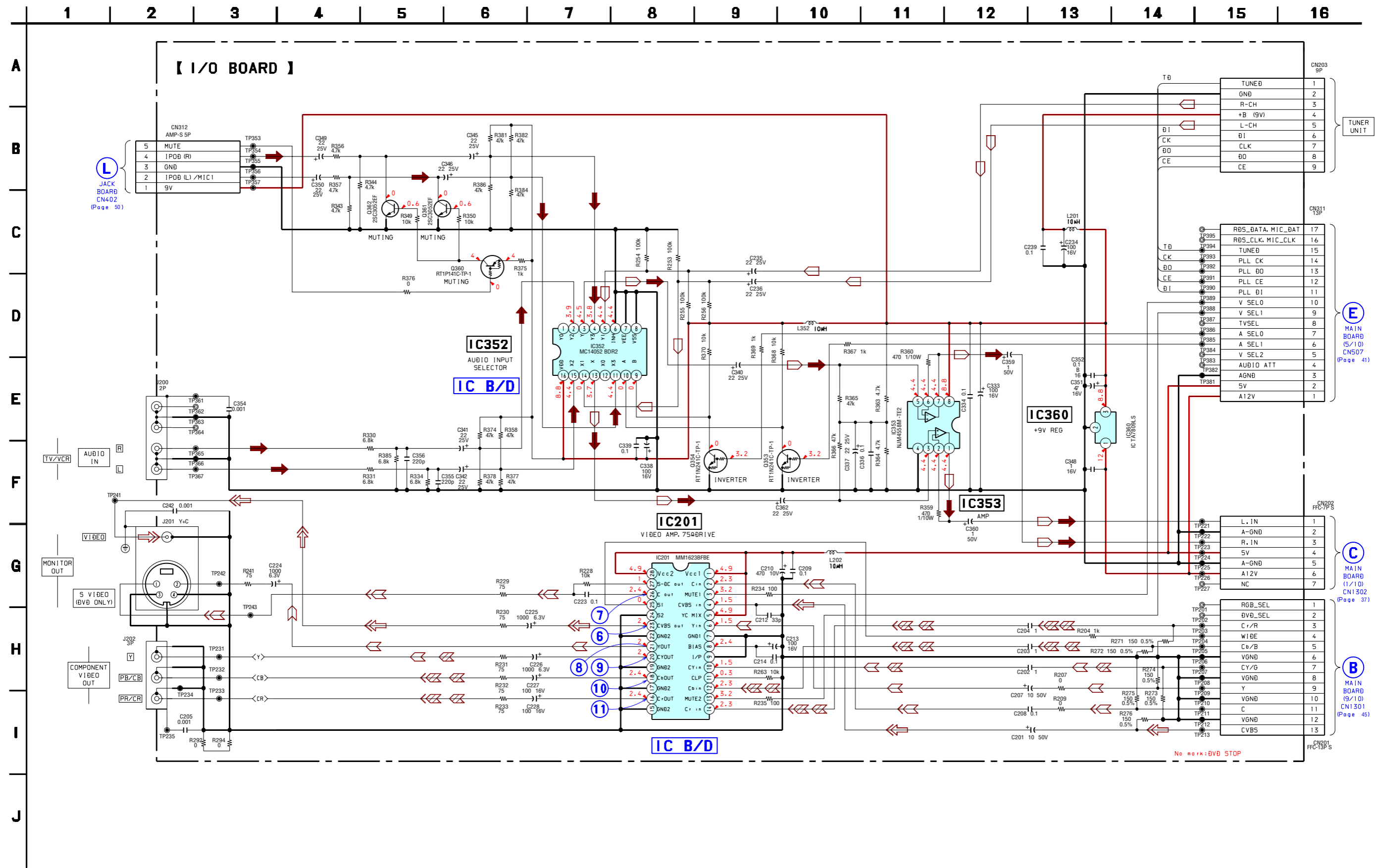
**E** MAIN BOARD  
CN507  
(Page 36)

**C** MAIN BOARD  
CN1302  
(Page 36)

TUNER UNIT

AM  
Y  
COAXIAL  
FM75Ω

11  
(11)



**L**  
JACK BOARD  
CN402  
(Page 50)

**E**  
MAIN BOARD  
(5/10)  
CN507  
(Page 41)

**C**  
MAIN BOARD  
(1/10)  
CN1302  
(Page 37)

**B**  
MAIN BOARD  
(9/10)  
CN1301  
(Page 45)

TUNED	1
GND	2
R-CH	3
+B (9V)	4
L-CH	5
DI	6
CK	7
DO	8
CE	9

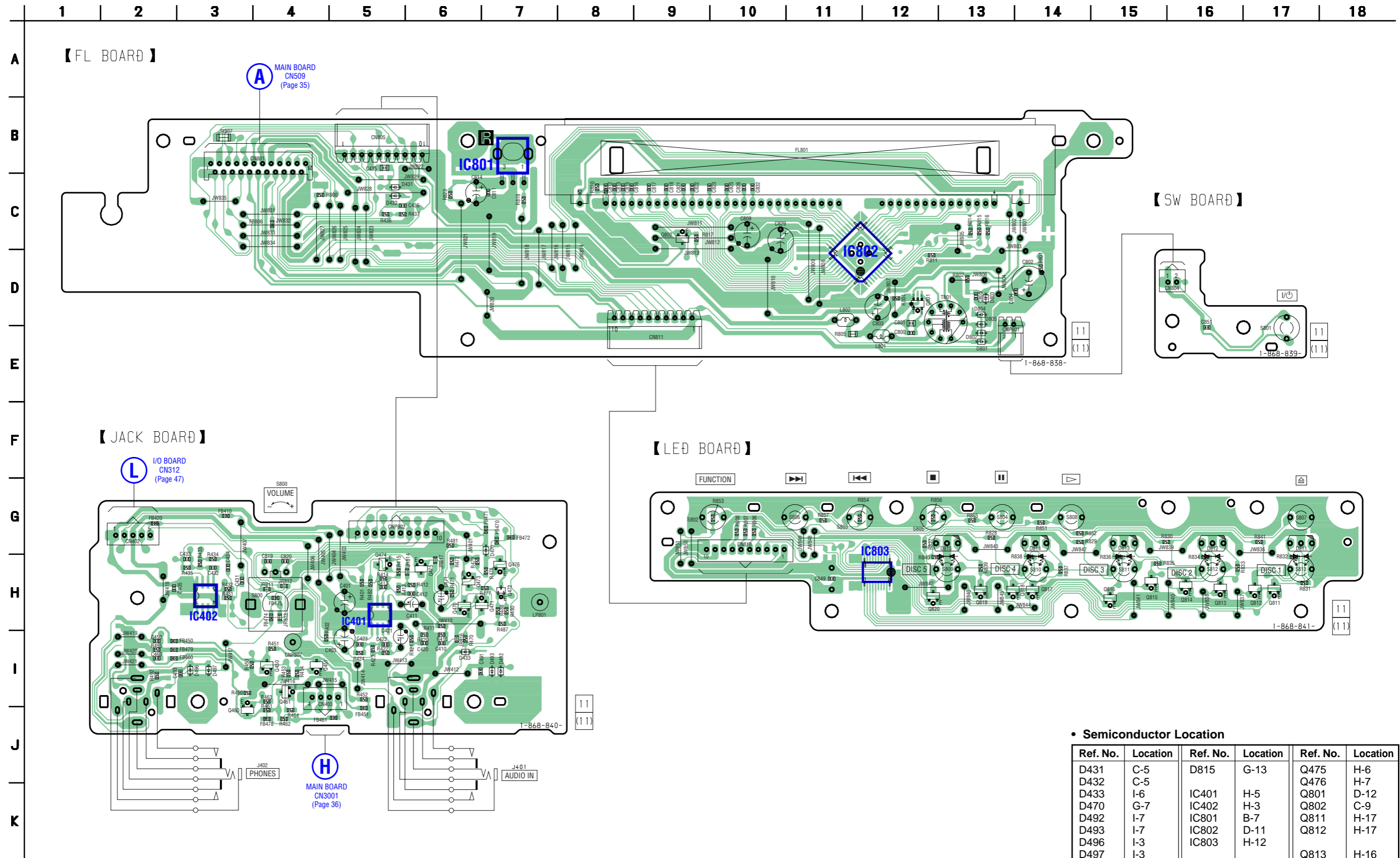
RDS_DATA, MIC_DAT	17
RDS_CLK, MIC_CLK	16
TUNED	15
PLL CK	14
PLL DO	13
PLL CE	12
PLL DI	11
V SEL0	10
V SEL1	9
TVSEL	8
A SEL0	7
A SEL1	6
V SEL2	5
AUDIO ATT	4
AGND	3
5V	2
A12V	1

L. IN	1
A-GND	2
R. IN	3
5V	4
A-GND	5
A12V	6
NC	7

RGB_SEL	1
BVD_SEL	2
C r/R	3
WIDE	4
Cb/B	5
VGND	6
CY/G	7
VGND	8
Y	9
VGND	10
C	11
VGND	12
CVBS	13

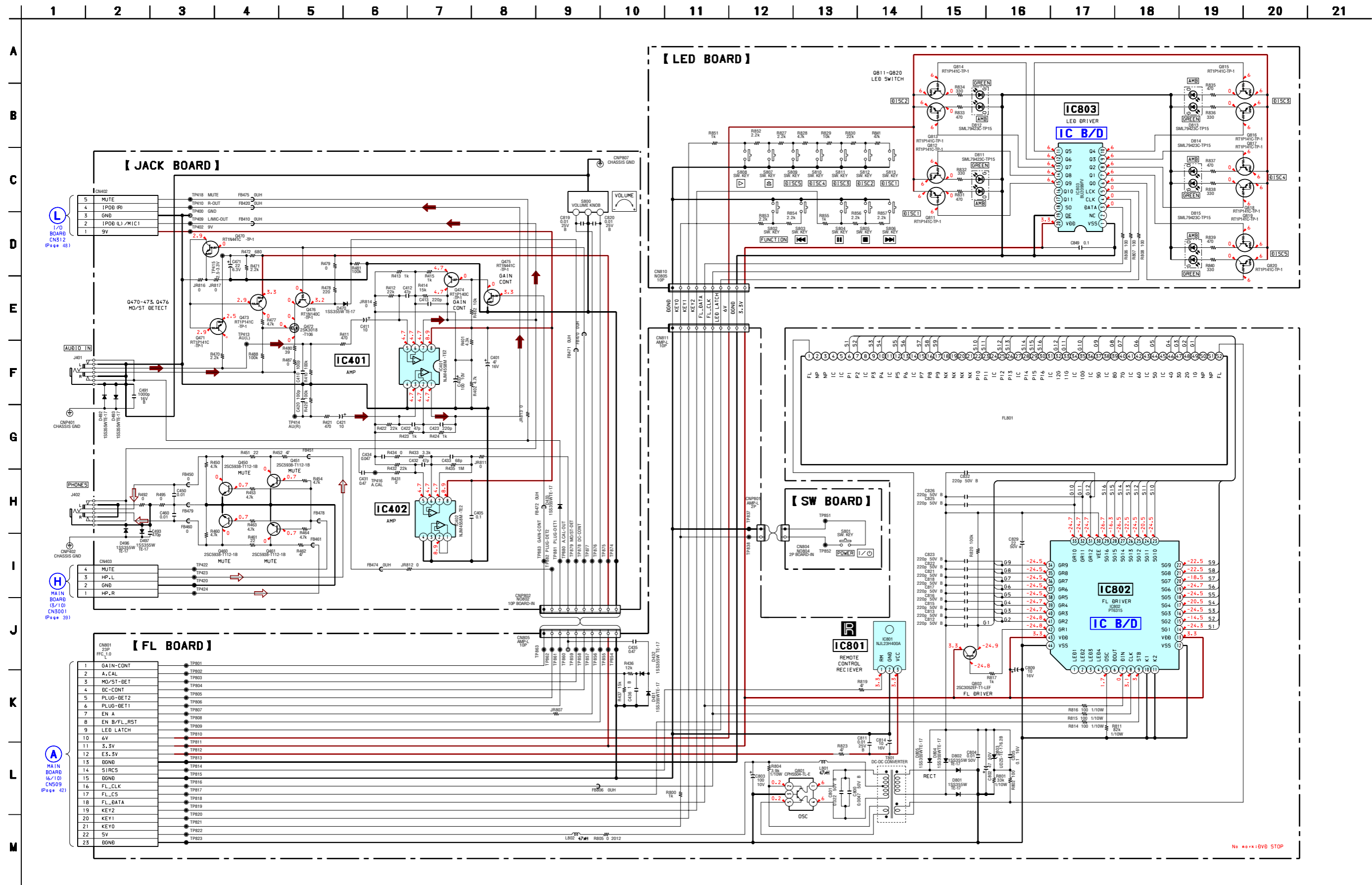


6-20. PRINTED WIRING BOARDS – PANEL SECTION – • See page 29 for Circuit Boards Location.  :Uses unleaded solder.




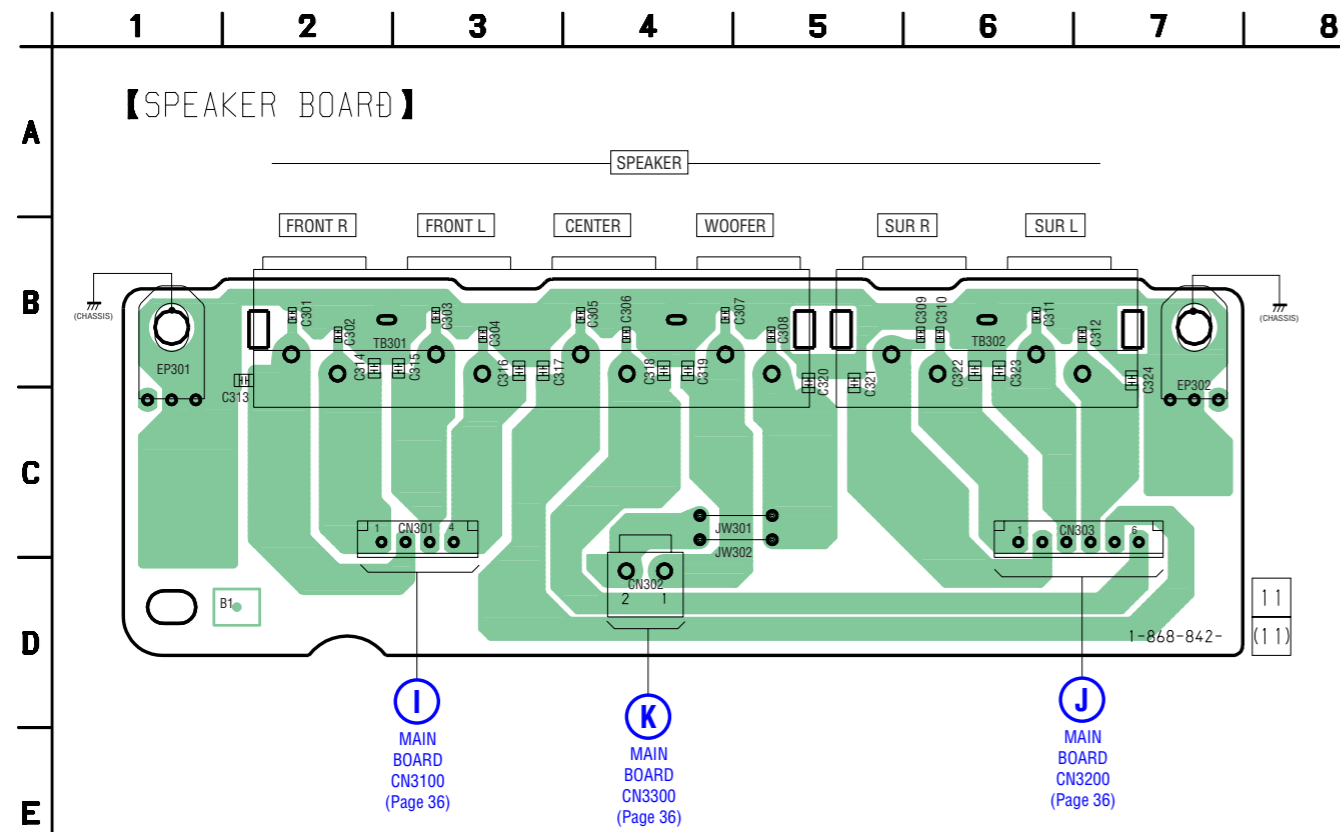
• Semiconductor Location

Ref. No.	Location	Ref. No.	Location	Ref. No.	Location
D431	C-5	D815	G-13	Q475	H-6
D432	C-5			Q476	H-7
D433	I-6	IC401	H-5	Q801	D-12
D470	G-7	IC402	H-3	Q802	C-9
D492	I-7	IC801	B-7	Q811	H-17
D493	I-7	IC802	D-11	Q812	H-17
D496	I-3	IC803	H-12		
D497	I-3			Q813	H-16
D801	E-13	Q450	I-4	Q814	H-16
D802	E-13	Q451	I-4	Q815	H-15
D803	D-13	Q460	I-3	Q816	H-15
D804	D-13	Q461	I-4	Q817	H-14
D805	D-13	Q470	H-6	Q818	H-13
D811	G-17	Q471	H-6	Q819	H-13
D812	G-16	Q472	H-7	Q820	H-12
D813	G-15	Q473	H-6		
D814	G-14	Q474	H-5		

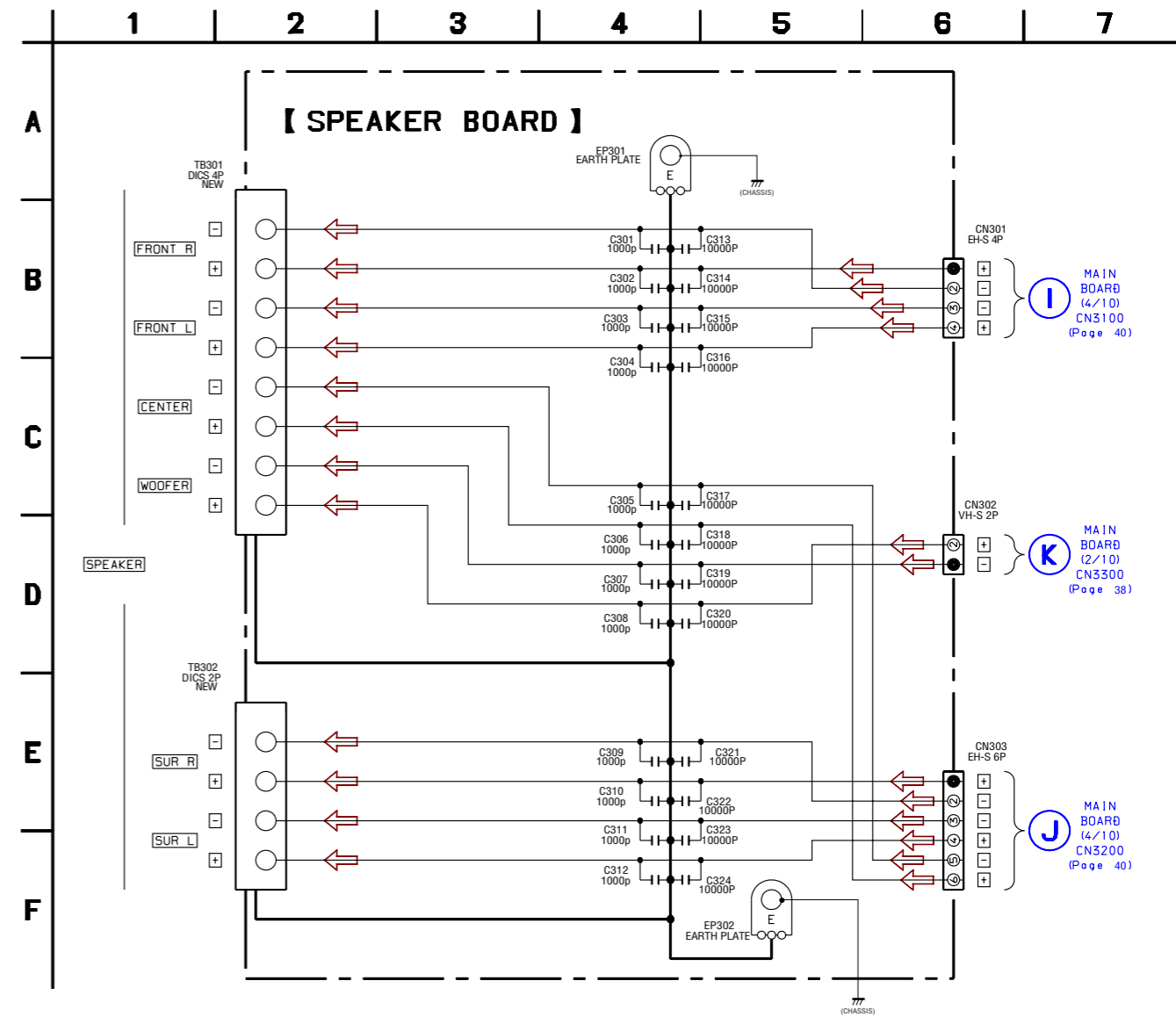


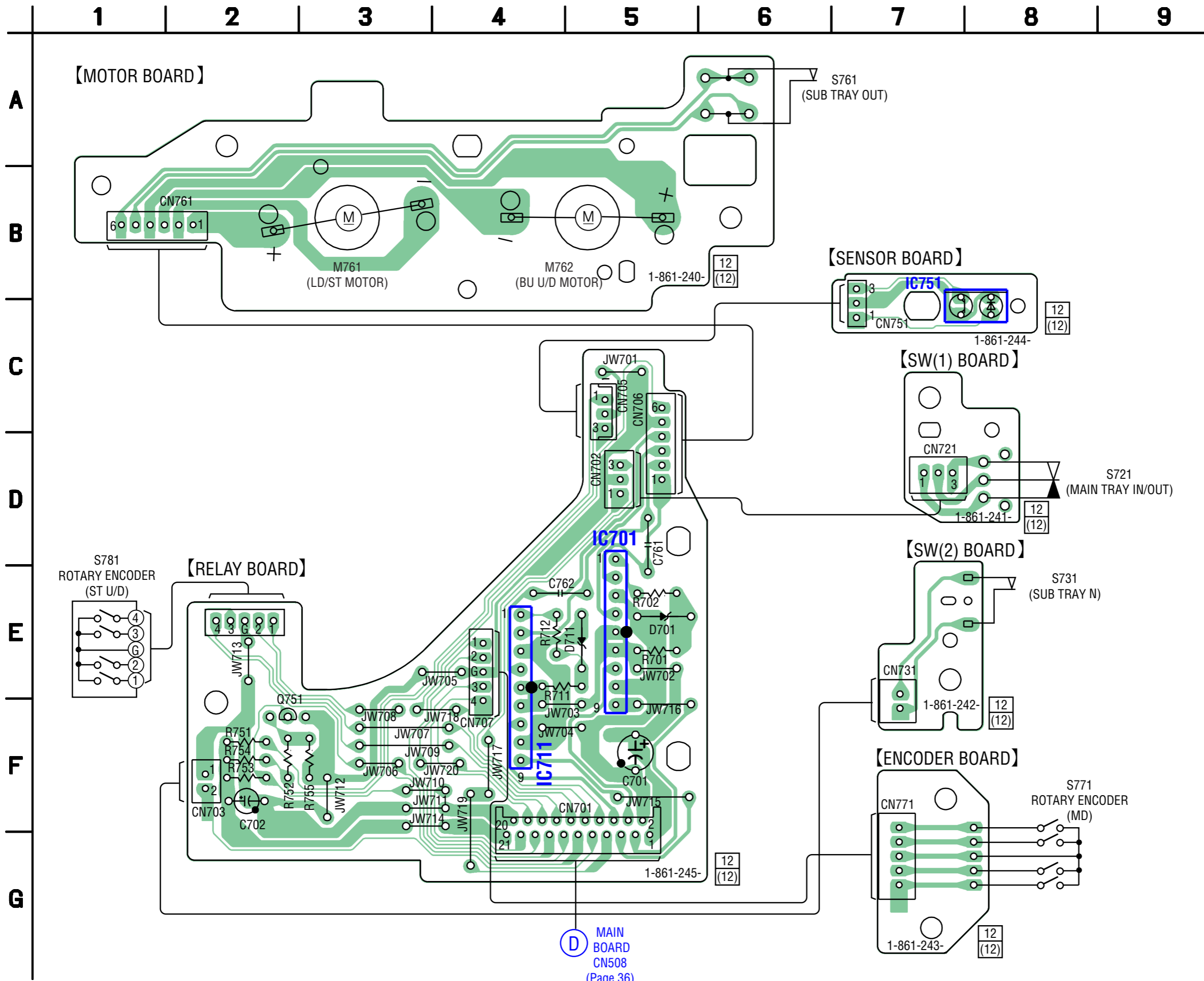
6-22. PRINTED WIRING BOARD – SPEAKER BOARD – • See page 29 for Circuit Boards Location.

 :Uses unleaded solder.



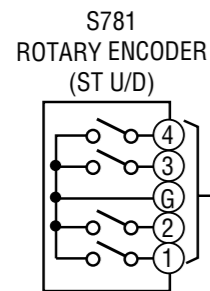
6-23. SCHEMATIC DIAGRAM – SPEAKER BOARD –





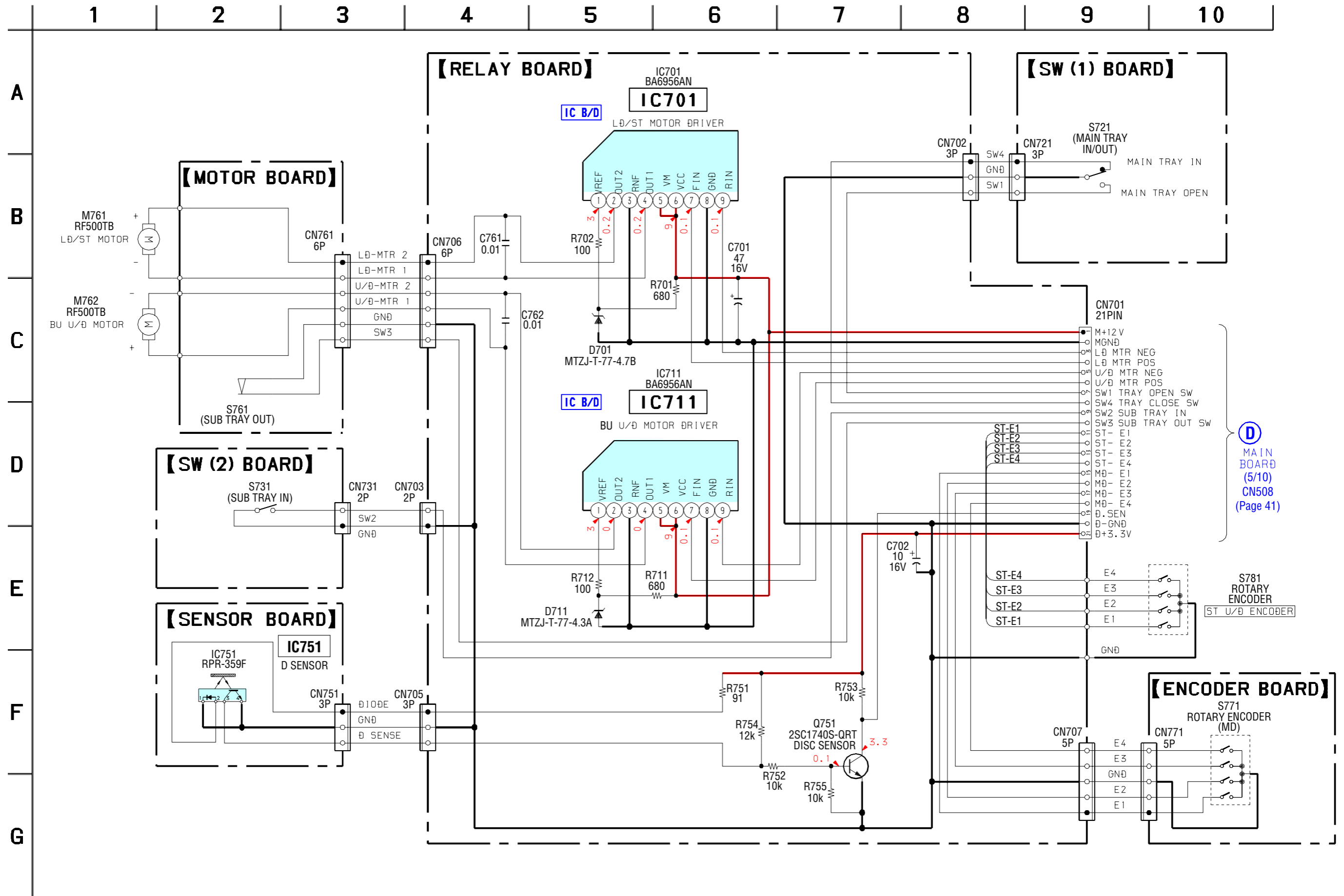
• Semiconductor Location

Ref. No.	Location
D701	D-4
D711	D-4
IC701	D-4
IC711	E-3
IC751	B-6
Q751	D-2



**D** MAIN BOARD CN508 (Page 36)

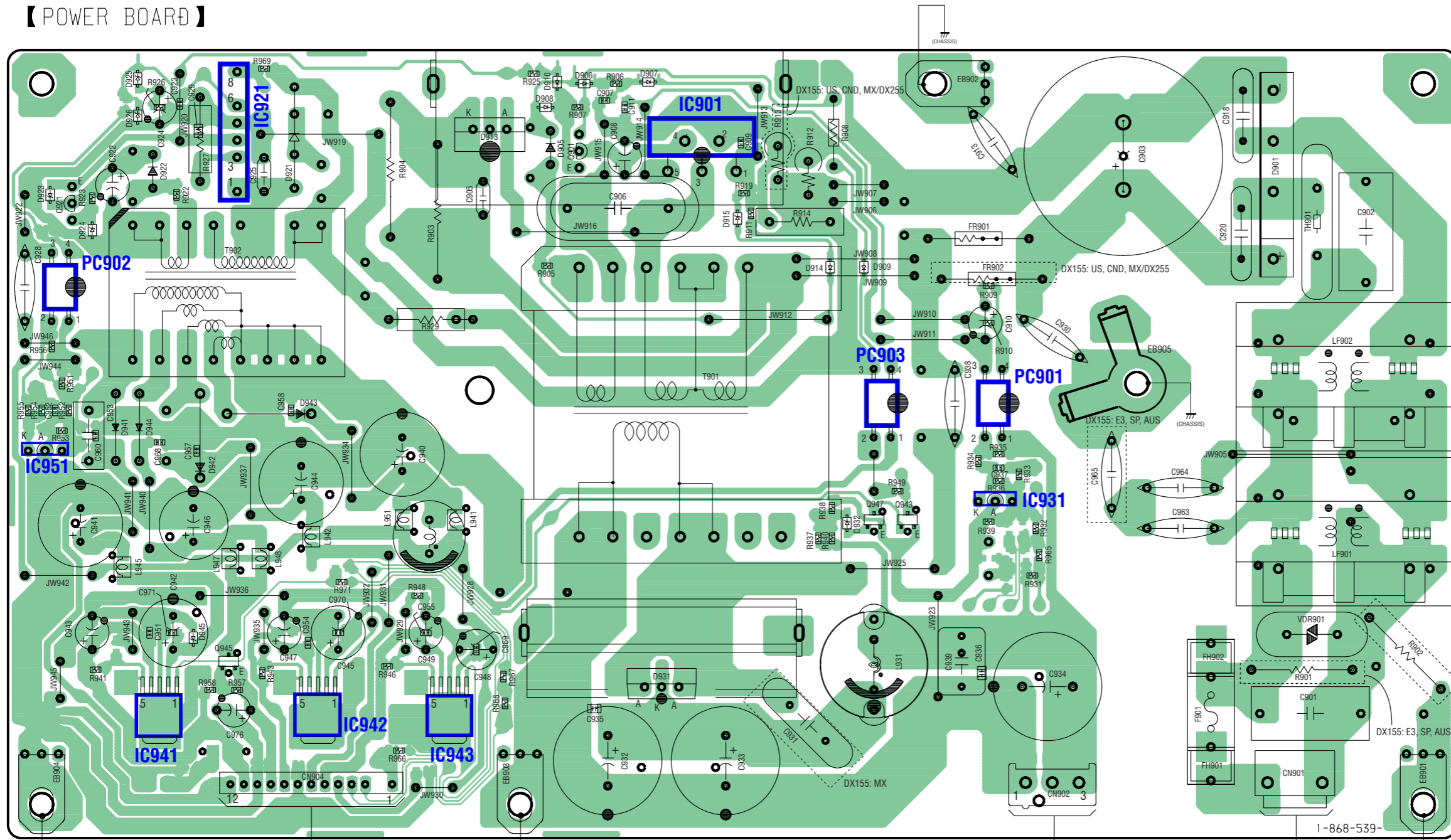
6-25. SCHEMATIC DIAGRAM – CD MECHANISM SECTION – • See page 58 for IC Block Diagrams.



1 2 3 4 5 6 7 8 9 10 11 12 13

A  
B  
C  
D  
E  
F  
F  
G  
H

【POWER BOARD】



• Semiconductor Location

Ref. No.	Location
D901	B-11
D905	B-5
D906	A-6
D907	A-7
D908	B-5
D909	C-8
D910	A-5
D913	B-5
D914	C-8
D915	B-7
D921	B-3
D922	B-2
D923	B-1
D924	C-1
D925	A-1
D926	B-2
D931	F-6
D932	E-8
D941	D-2
D942	E-2
D943	D-3
D944	D-2
D945	F-2
IC901	B-6
IC921	B-3
IC931	E-9
IC941	G-2
IC942	G-3
IC943	G-4
IC951	D-1
PC901	D-9
PC902	C-1
PC903	D-8
Q901	B-5
Q921	B-1
Q943	E-8
Q945	F-3
Q947	E-8

**F**  
MAIN BOARD  
CN515  
(Page 36)

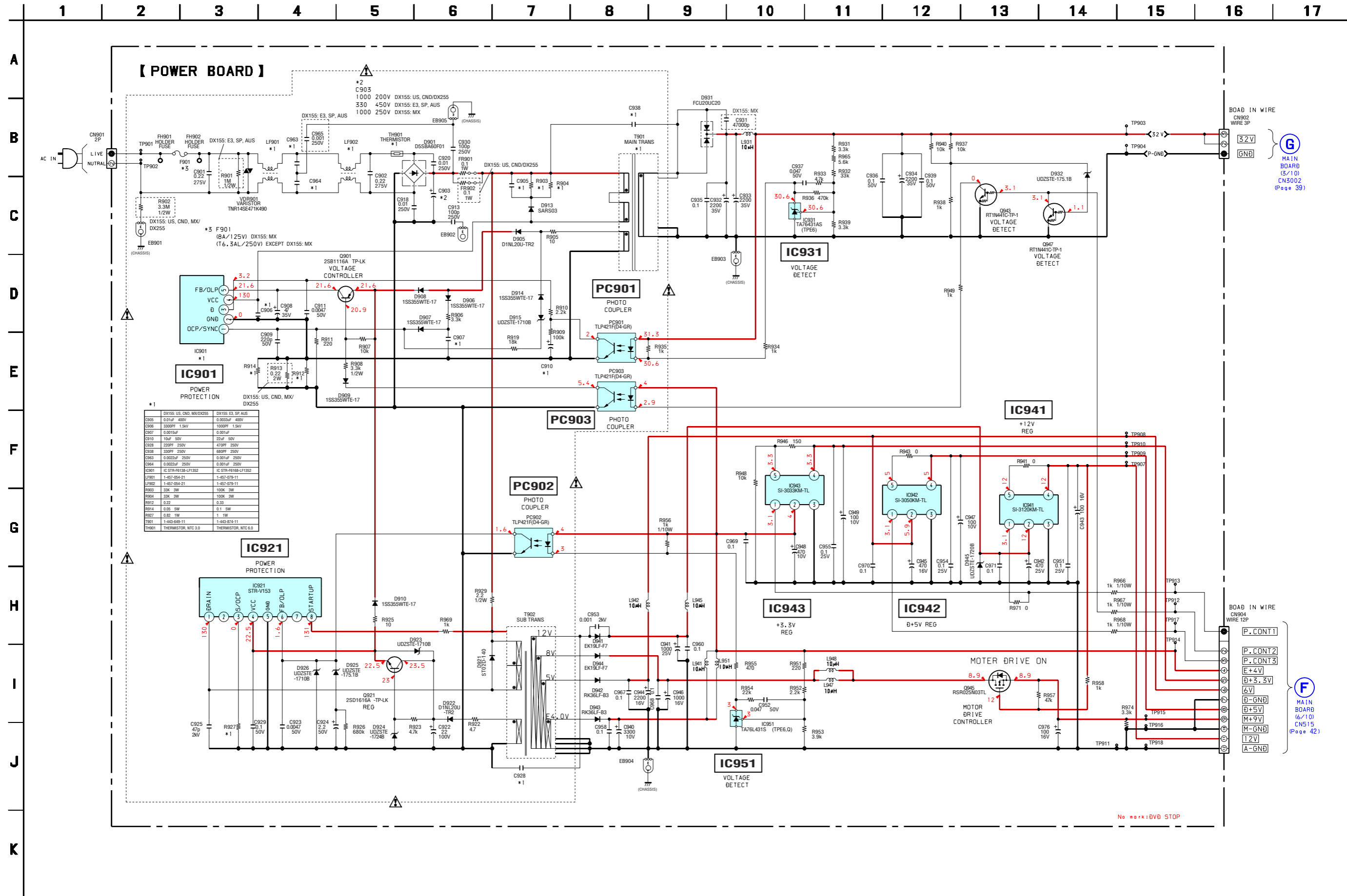
**G**  
MAIN BOARD  
CN3002  
(Page 36)

AC IN

1-868-539

11  
(11)

6-27. SCHEMATIC DIAGRAM – POWER BOARD –

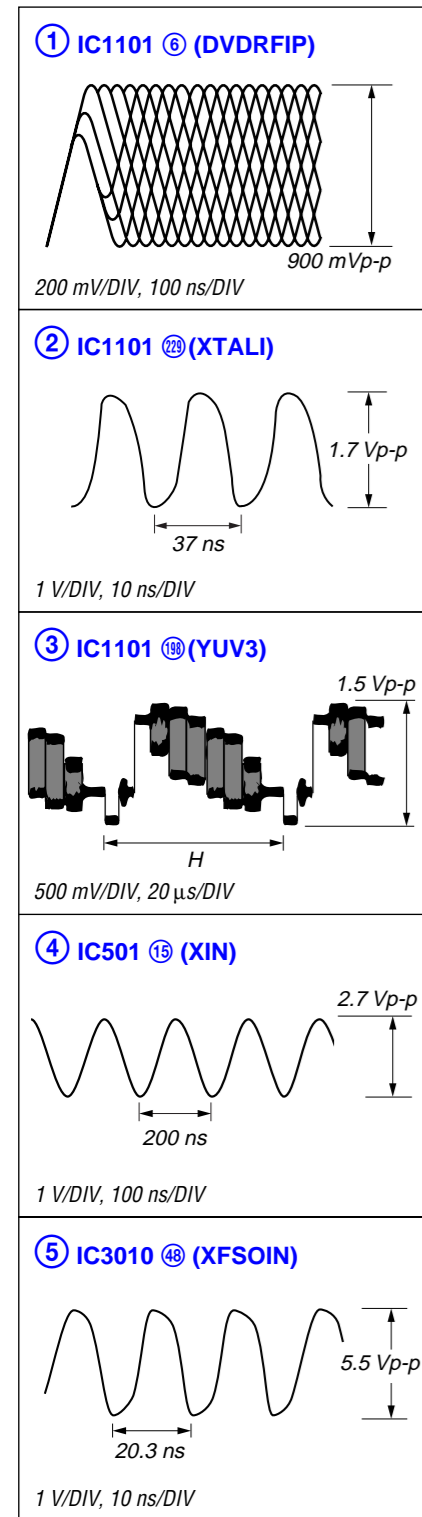


**G**  
MAIN BOARD (5/10)  
CN5002 (Page 39)

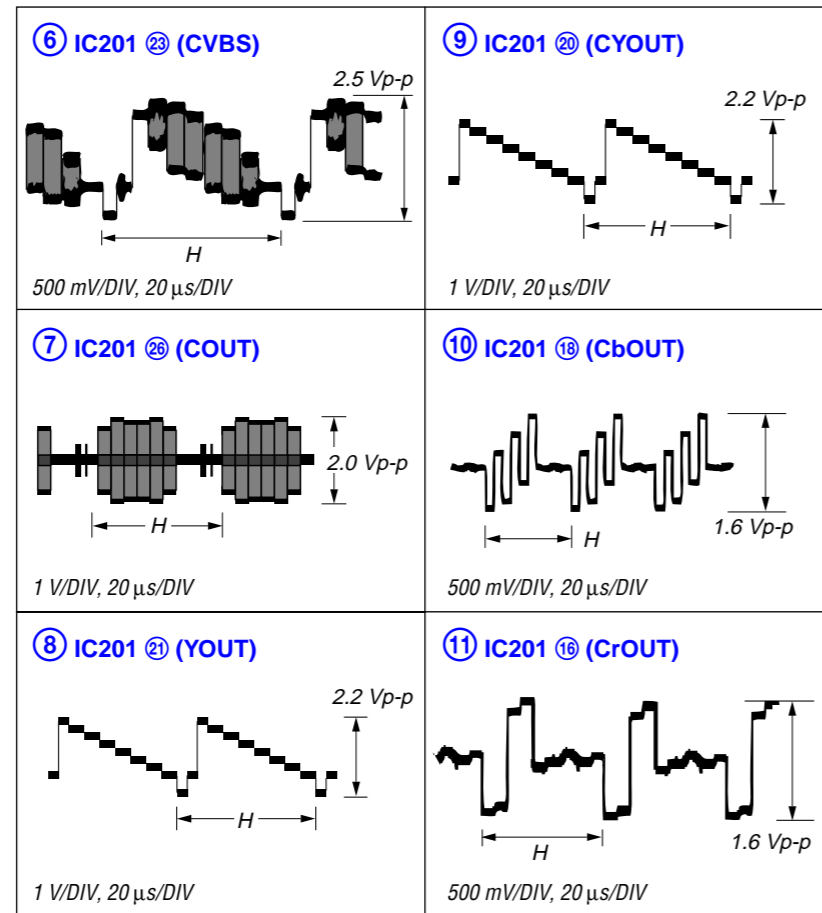
**F**  
MAIN BOARD (6/10)  
CN515 (Page 42)

No mark: 0V0 STOP

• Waveforms  
– MAIN Board –



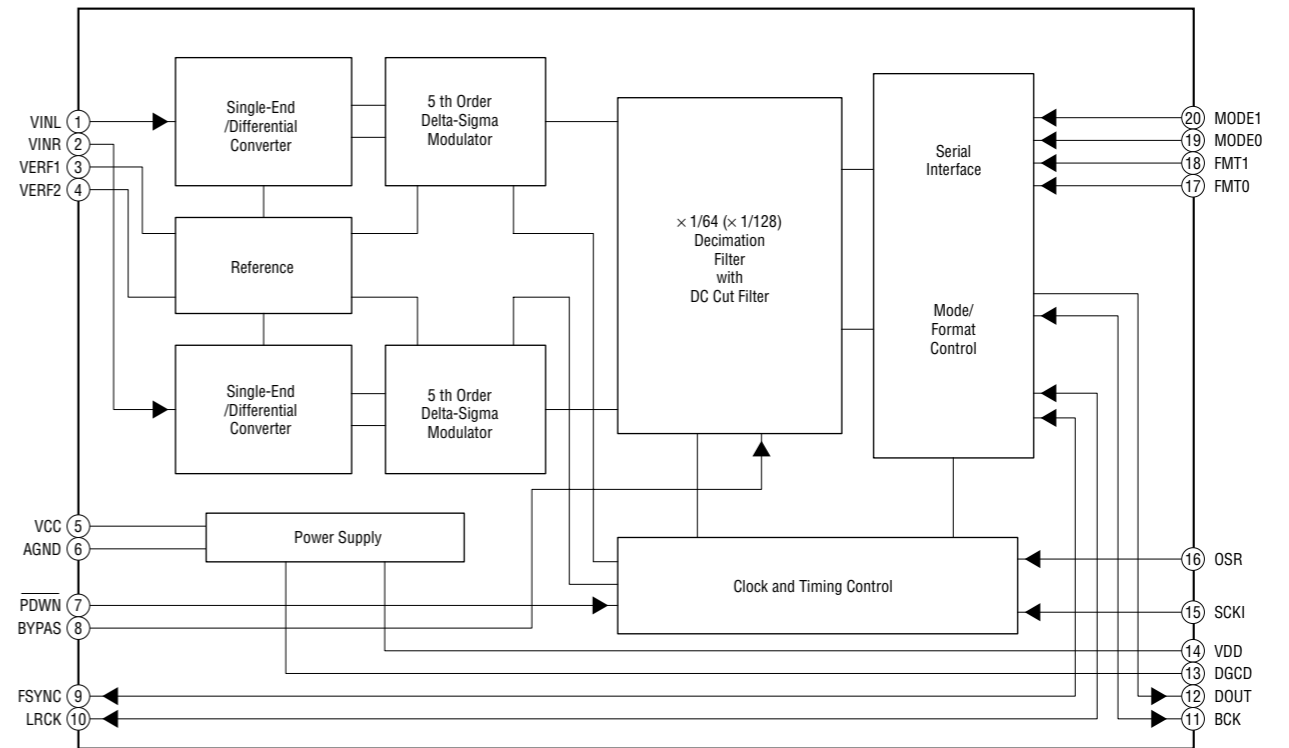
– I/O Board –



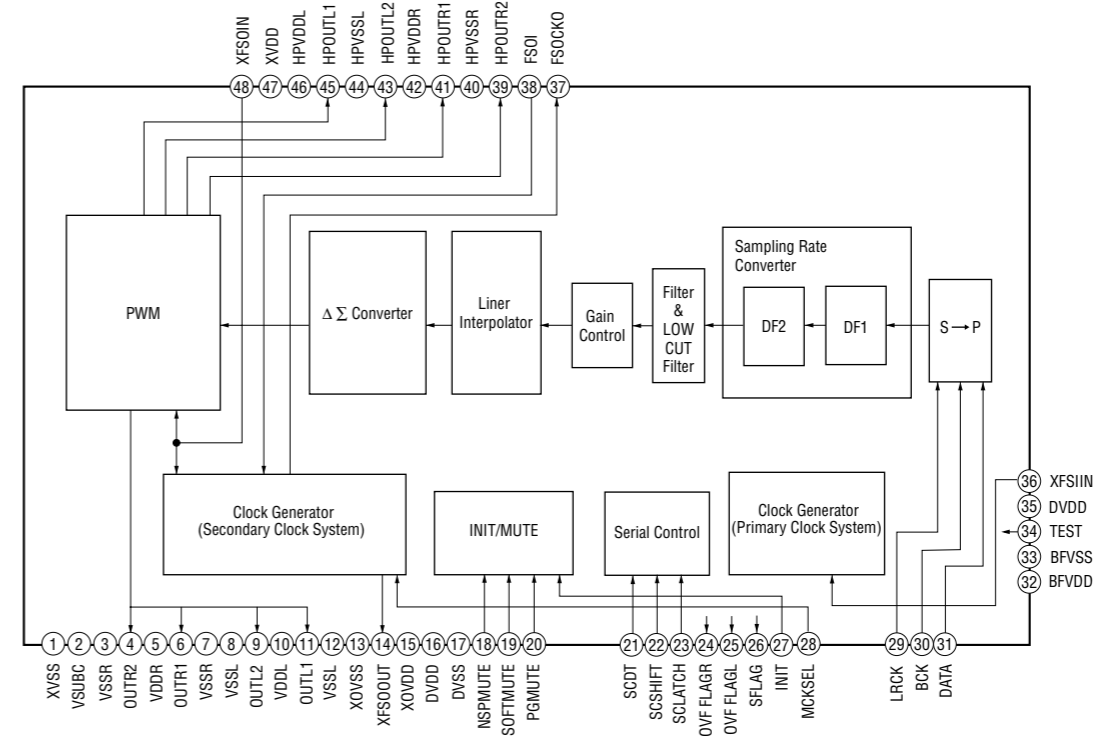
• IC Block Diagrams

– MAIN Board –

IC2200 PCM1803DBR



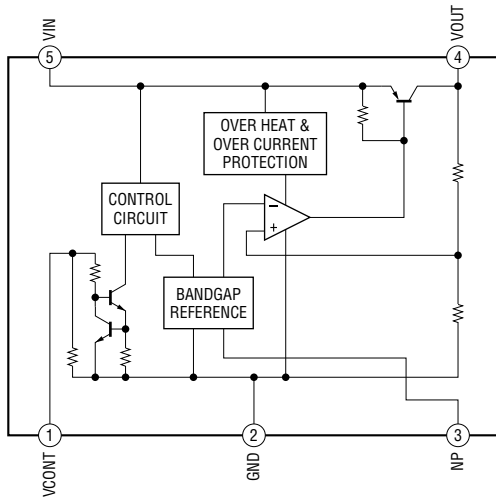
IC3010, IC3020, IC3030 CXD9788AR





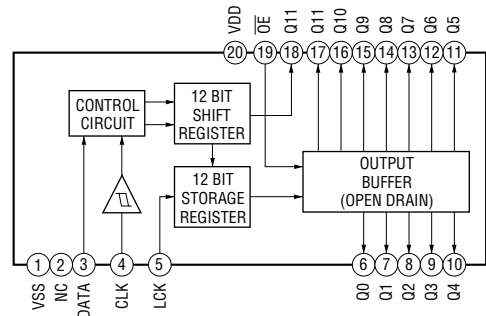
– MAIN Board –

IC3050 TK11118CSCL-G



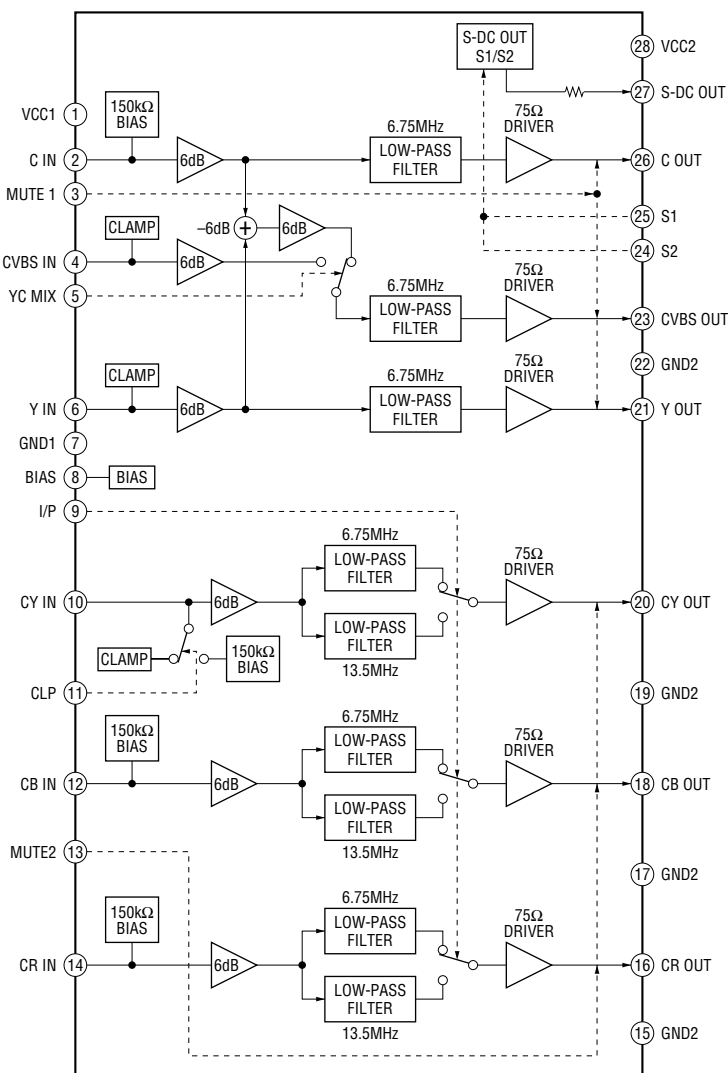
– LED Board –

IC803 BU2099FV

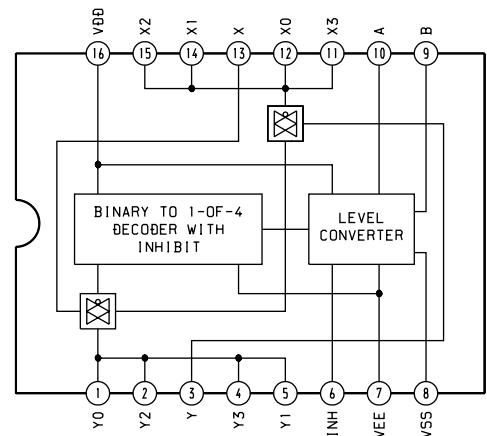


– I/O Board –

IC201 MM1623BFBE

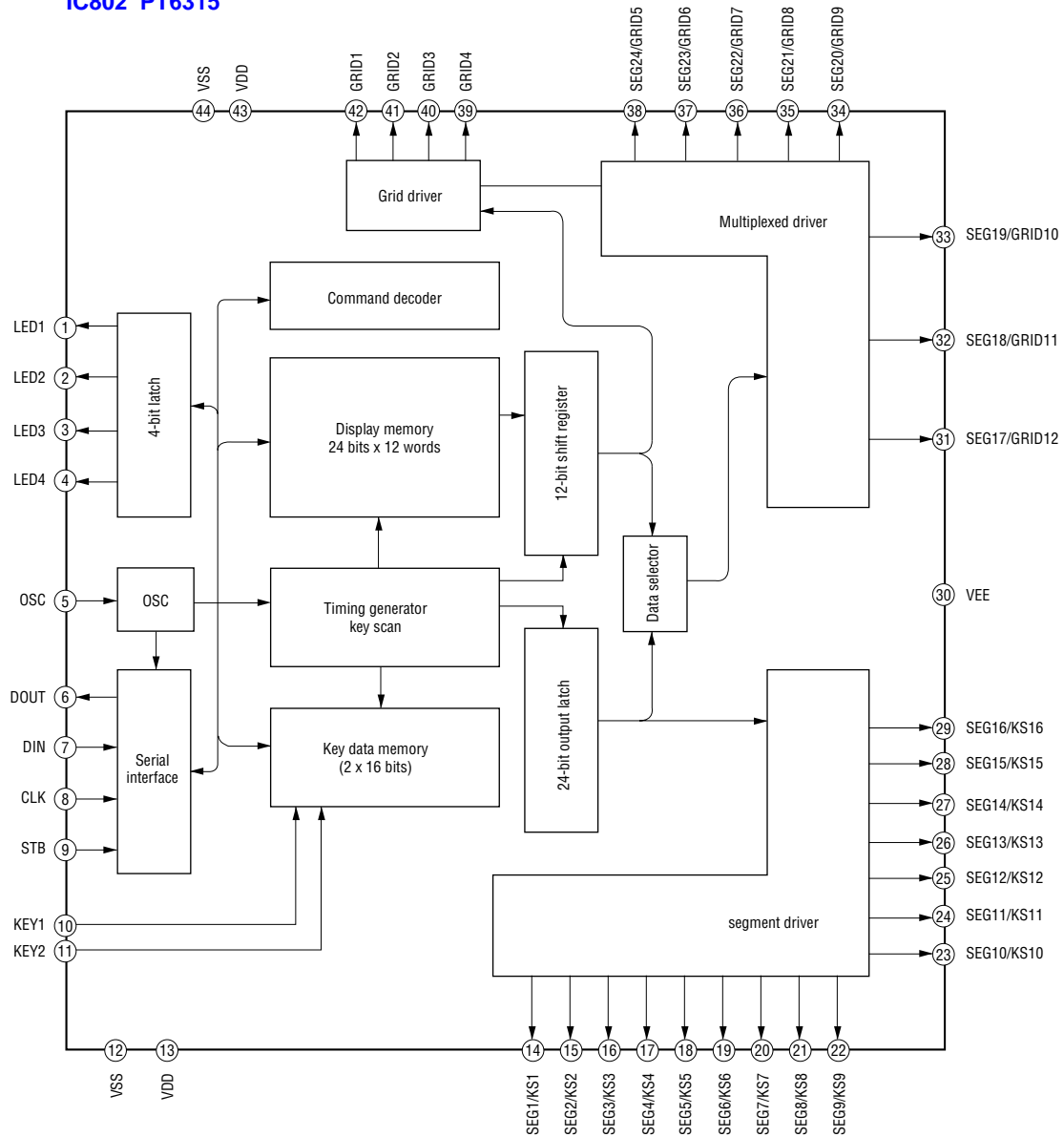


IC352 MC14052BDR2



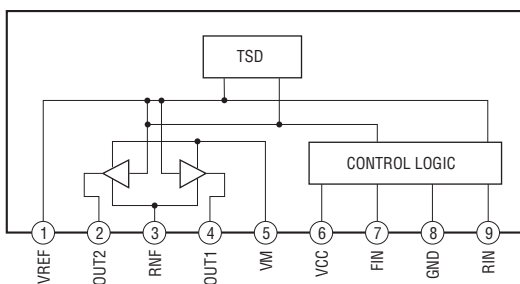
– FL Board –

IC802 PT6315



– RELAY Board –

IC701, IC711 BA6956AN



## • IC Pin Function Description

## MAIN BOARD IC501 M30622MEP-A61FPU0 (SYSTEM CONTROLLER)

Pin No.	Pin Name	I/O	Description
1	DAMP_SCDT/ DIAT_SDATA	O	DAMP processor and Diat data output
2	DAMP_SHIFT/ DIAT_SCLK	O	DAMP processor and Diat clock output
3	DSP_INTR	I	DSP interrupt (not used)
4	SIRCS_IN	I	Sircs input
5	DSP_MOSI/DIR_DIN	O	DSP and DIR data output (not used)
6	DSP_MISO	I	DSP data input (not used)
7	DSP_SPICLK/DIR_CLK	O	DSP/DIR clock output (not used)
8	BYTE	I	External data bus (Ground terminal)
9	CNVSS	I	Change processor mode (Pull down)
10	EN_A	I	Volume control for ENCODER (Pull up)
11	EN_B/FL_RESET	I	Volume control for ENCODER (Pull up)
12	RESET	I	System reset signal input
13	XOUT	O	Crystal output for main clock (5MHz)
14	VSS	—	Ground terminal
15	XIN	I	Crystal input for main clock (5MHz)
16	VCC	—	Power supply (BUP+3.3V)
17	NMI	I	BUP+3.3V
18	DIR_ZERO	I	DIR zero data detect (not used)
19	DIR_CSFLAG/ A.CAL_OUT_LEVEL	I	Out level detect for auto calibration
20	AC_CUT	I	Detect AC-CUT
21	FL_CLK/LED_CLK	O	FL and LED driver clock output
22	LED_LAT	O	LED driver latch
23	DIAT_CSOD	I	DIAT CSOD signal input (not used)
24	FL_D_OUT/LED_DATA	O	FL and LED driver data output
25	FL_CS/STB	O	FL driver chip select
26	MIC_GAIN	O	MIC gain control
27	CDM_OPEN_SW	I	CDM open switch input
28	DC_CONT	O	A.CAL MIC DC control output
29	I2C_CLK	I/O	I <sup>2</sup> C clock input
30	I2C_DATA	I/O	I <sup>2</sup> C data input
31	DVD_SID	O	Media Tek data out/Flash white TXD1
32	DVD_SOD	I	Media Tek data in/Flash white RXD1
33	DVD_SCO	I	Media Tek clock in/Flash white CLK1
34	DVD_XIFBUSY	O	Media Tek busy request/Flash white RTS1
35	XM_SC_TX_OUT/ MIC_DET_OUT	O	MIC detect status out to Media Tek (not used)
36	XM_SC_RX_IN/ KARAOKE MODE	I	KARAOKE mode information from Media Tek (not used)
37	DVD XIFCS	I	Media Tek chip select
38	MTK_RST	O	Media Tek reset
39	P_CONT1	O	Contral for power supply 1
40	P_CONT2	O	Contral for power supply 2
41	P_CONT3	O	Contral for power supply 3
42	DRIVE_RST (EN)	O	DAMP driver reset

Pin No.	Pin Name	I/O	Description
43	DRIVE_OCP (DIAG)	I	DAMP driver shut down
44	OVERFLOW1	I	DAMP processor F/C/S over flow detect
45	OVERFLOW2	I	DAMP processor SW over flow detect
46	WRITE CE	I	Flash write CE (not used)
47	DAMP LATCH1	O	DAMP processor latch1
48	DAMP LATCH2	O	DAMP processor latch2
49	DAMP LATCH3	O	DAMP processor latch3
50	DAMP INIT	O	DAMP processor reset
51	DAMP SOFT MUTE	O	DAMP processor soft muting
52	HP_SW	I	Head phone detect
53	HP_MUTE	O	Head phone muting
54	SRC_MUTE	O	Sampling rate converter mute control (not used)
55	DSP_RESET	O	DSP reset (not used)
56	DSP_SPIDS	O	DSP device select (not used)
57	SEL_SA-CD	O	DSP input data select (not used)
58	DSP_RST	O	DIR reset (not used)
59	DSP_HCE	O	DIR chip enable (not used)
60	DAMP OUT2DLY/ DIR_ERR	I	S-Master OUT2DLY select switch
61	DAMP FSDLY/ DIR_XSTATE	I	S-Master FsDLY select switch
62	VCC	—	Power supply (BUP 3.3V)
63	DIR_HDOUT	I	DIR data in (not used)
64	VSS	—	Ground terminal
65	DIAT_XRST	O	DIAT reset (not used)
66	DIAT_XSCEN	O	DIAT chip enable (not used)
67	SRC_MODEO	O	Sampling rate convertor MODEO control (not used)
68	M_ST	O	LINK (Multi STEREO) control
69	TUNED	I	TUNER tuned input
70	ST_CLK	O	TUNER clock output
71	ST_DO	I	TUNER data input
72	ST_CE	O	TUNER chip enable output
73	ST_DI	O	TUNER data output
74	KEY INT	I	Wakeup from ECO mode by key input
75	RDS_CLK/MIC_CLK/ XM_ERR_IRQ	O	Not used
76	RDS-DATA/MIC-DAT/ XM_COM_SEL	O	Not used
77	XM_RESET	O	XM reset (not used)
78	DABSEL/XMSEL	O	XM clock select (not used)
79	V_SEL0	O	VIDEO selector 0
80	V_SEL1	O	VIDEO selector 1
81	TVSEL/V_SEL3	O	TV control/VIDEO selector 3 (not used)
82	A_SEL0	O	Audio selector 0
83	A_SEL1	O	Audio selector 1
84	V_SEL2	O	VIDEO selector 2
85	IO_CE	O	I/O expander IC chip enable
86	IO_RESET	O	I/O expander IC reset
87	IO_DI	O	I/O expander IC data output

Pin No.	Pin Name	I/O	Description
88	IO_DO	I	I/O expander IC data input
89	IO_CLK	O	I/O expander IC clock output
90	MONO/ST_DET	I	Front jack MONO or STEREO detect
91	A.CAL MIC LEVEL	I	MIC level detect fot auto calibration
92	DESTINATION	I	Destination select input
93	MODEL	I	Model select input
94	KEY2	I	Key input 2 input
95	KEY1	I	Key input 1 input
96	VSS	—	Ground terminal
97	KEY0	I	Key input 0 input
98	VREF	—	Reference voltage (E3.3V)
99	VCC	—	Power supply (BUP3.3V)
100	MIC/A.CAL SW	I	MIC insert switch

## MAIN BOARD IC1101 CXD9849R

(CD/DVD RF AMP, FOCUS/TRACKING ERR AMP, DVD SYSTEM PROCESSOR, DIGITAL SERVO PROCESSOR)

Pin No.	Pin Name	I/O	Description
1	AGND	—	Ground terminal
2	DVDA	I	AC coupled input path A
3	DVDB	I	AC coupled input path B
4	DVDC	I	AC coupled input path C
5	DVDD	I	AC coupled input path D
6	DVDRFIP	I	AC coupled DVD RF signal input RFIP
7	DVDRFIN	I	AC coupled DVD RF signal input RFIN (not used)
8	NA	I	DC coupled main-beam RF signal input A
9	NB	I	DC coupled main-beam RF signal input B
10	MC	I	DC coupled main-beam RF signal input C
11	MD	I	DC coupled main-beam RF signal input D
12	SA	I	DC coupled sub-beam RF signal input A (not used)
13	SB	I	DC coupled sub-beam RF signal input B (not used)
14	SC	I	DC coupled sub-beam RF signal input C (not used)
15	SD	I	DC coupled sub-beam RF signal input D (not used)
16	CDFON	I	CD focusing error negative input (not used)
17	CDFOP	I	CD focusing error positive input (not used)
18	TNI	I	3 beam satellite PD signal negative input
19	TPI	I	3 beam satellite PD signal positive input
20	MDI1	I	Laser power PD monitor input
21	MDI2	I	Laser power PD monitor input
22	LDO2	O	Laser drive output
23	LDO1	O	Laser drive output
24	SVDD3	—	Power supply (RF+3.3V)
25	CSD	O	Central servo, positive main beam summing output (not used)
26	RFLVL	O	RFRP low pass, or Positive main beam summing output (not used)
27	SGND	—	Ground terminal
28	V2REFO	O	Reference voltage 2.8V
29	V2O	O	Reference voltage 2.0V
30	VREFO	O	Reference voltage 1.4V
31	FED	O	Focus error monitor output (not used)
32	TEO	O	Tracking error monitor output (not used)
33	TEZISLV	O	TE slicing level (not used)
34	OPOUT	O	Op amp output (not used)
35	OPIN	I	Op amp negative input (not used)
36	OPIN	I	Op amp positive input (not used)
37	DMO	O	Disk motor control output. PWM output
38	FMO	O	Feed motor control. PWM output
39	TROPENPWM	O	Tray PWM output/tray open output.
40	IOPMON	O	General PWM output
41	TRO	O	Tracking servo output
42	FOO	O	Focus servo output
43	DVSS	—	Ground terminal
44	NC	—	USB port DPLUS analog pin (not used)
45	NC	—	USB port DMINUS analog pin (not used)
46	DVDD3	—	Power supply (SW+3.3V)
47	SPFG	I	Motor hall sensor input

Pin No.	Pin Name	I/O	Description
48	DSEL	—	Not used
49	WIDE	I	Wide switch signal input terminal
50	MSW	I	Mute signal control input
51	MAMUTE	O	MAMUTE signal output to system controller (IC501) (not used)
52	DVDD18	—	Power supply (+1.8V from IC1109)
53 to 58	IOA 2 to 7	O	Address bus 2 to 7 output to PROM (IC1102)
59	HIGHA0	O	Address bus 8 output to PROM (IC1102)
60, 61	IOA18, 19	O	Address bus 18, 19 output to PROM (IC1102)
62	DVSS	—	Ground terminal
63	APLLCAP	I	APLL external capacitance connection
64	APLLVSS	—	Ground terminal
65	VDD3	—	Power supply (+3.3V from IC1105)
66	IOWR	O	WE signal output to PROM (IC1102)
67	A16	O	Address bus 16 output to PROM (IC1102)
68 to 72	HIGHA 7 to 3	O	Address bus 15 to 11 output to PROM (IC1102)
73	DVDD3	—	Power supply (SW+3.3V)
74, 75	HIGHA 2, 1	O	Address bus 10, 9 output to PROM (IC1102)
76	IOA20	O	Address bus 20 output to PROM (IC1102)
77	IOCS	O	CE signal output to PROM (IC1102)
78	IOA1	O	Address bus 1 output to PROM (IC1102)
79	IOOE	O	OE signal output to PROM (IC1102)
80	DVDD3	—	Power supply (SW+3.3V)
81 to 84	AD 0 to 3	I	Data bus 0 to 3 input from PROM (IC1102)
85	DVSS	—	Ground terminal
86 to 88	AD 4 to 6	I	Data bus 4 to 6 input from PROM (IC1102)
89	IOA21	O	Address bus 21 output to PROM (IC1102)
90	ALE	O	Address latch enable (not used)
91	AD7	I	Data bus 7 input from PROM (IC1102)
92	A17	O	Address bus 17 output to PROM (IC1102)
93	IOA0	O	Address bus 0 output to PROM (IC1102)
94	DVSS	—	Ground terminal
95	UWA	I	System controller write strobe (not used)
96	URD	I	System controller read strobe (not used)
97	DVDD18	—	Power supply (+1.8V from IC1109)
98	IFSDO	O	DVD SOD signal input to system controller (IC501)
99	IFCK	O	DVD SCO signal output to system controller (IC501)
100	XIFCS	I	DVD XIFCS signal input from system controller (IC501)
101	IFSDI	I	VIFBUSY signal input from system controller (IC501)
102	SCL	O	SCL signal output to EEPROM (IC1103)
103	SDA	O	SDA signal output to EEPROM (IC1103)
104	TRG-SW	O	RS232 RXD signal output (not used)
105	IFBSY	I	RS232 TXD signal input from system controller (IC501)
106	RXD	I	RD232 RXD clock
107	TXD	I	RD232 TXD data
108	DVDD3	—	Power supply (SW+3.3V)
109	ICE	I	ICE mode enable (not used)
110	PRST	I	MTRST signal input from system controller (IC501)
111	IR	I	IR control signal input (not used)
112	INT0	I	External interrupt0 (not used)

Pin No.	Pin Name	I/O	Description
113	DQMO	O	DQM0 signal output to SD-RAM (IC1104)
114	MREQ	I	DQM signal input (not used)
115	RD7	I	Data bus 7 from SD-RAM (IC1104)
116	DVSS	—	Ground terminal
117, 118	RD 6, 5	I	Data bus 6, 5 from SD-RAM (IC1104)
119	DVSS	—	Ground terminal
120, 121	RD 4, 3	I	Data bus 4, 3 from SD-RAM (IC1104)
122	DVDD18	—	Power supply (+1.8V from IC1109)
123 to 125	RD 2 to 0	I	Data bus 2 to 0 from SD-RAM (IC1104)
126	RD15	I	Data bus 15 from SD-RAM (IC1104)
127	DVDD3	—	Power supply (SW+3.3V)
128	RD 14	I	Data bus 14 from SD-RAM (IC1104)
129 to 133	RD 13 to 9	I	Data bus 13 to 9 from SD-RAM (IC1104)
134	DVSS	—	Ground terminal
135	RD8	I	Data bus 8 from SD-RAM (IC1104)
136	GPI0	—	Not used
137	DQM1	O	DQM1 signal output to SD-RAM (IC1104)
138	RWE	O	WE signal output to SD-RAM (IC1104)
139	CAS	O	CAS signal output to SD-RAM (IC1104)
140	RAS	O	RAS signal output to SD-RAM (IC1104)
141	DVDD3	—	Power supply (SW+3.3V)
142	RCS	O	RCS signal output to SD-RAM (IC1104)
143	BA0	O	BA0 signal output to SD-RAM (IC1104)
144	DVSS	—	Ground terminal
145	BA1	O	BA1 signal output to SD-RAM (IC1104)
146	RA10	O	Address bus 10 output to SD-RAM (IC1104)
147	RA0	O	Address bus 0 output to SD-RAM (IC1104)
148	DVSS	—	Ground terminal
149 to 151	RA 1 to 3	O	Address bus 1 to 3 output to SD-RAM (IC1104)
152	DVDD18	—	Power supply (+1.8V from IC1109)
153	NC	—	Reference voltage (not used)
154	NC	—	Dram clock (not used)
155	DVDD3	—	Power supply (SW+3.3V)
156	RCLK	O	CLK signal output to SD-RAM (IC1104)
157	CKE	O	CKE signal output to SD-RAM (IC1104)
158 to 160	RA 11 to 8	O	Address bus 11 to 8 output to SD-RAM (IC1104)
161	DVSS	—	Ground terminal
162	RA7	O	Address bus 7 output to SD-RAM (IC1104)
163	DVSS	—	Ground terminal
164 to 166	RA 6 to 4	O	Address bus 6 to 4 output to SD-RAM (IC1104)
167	DVDD3	—	Power supply (SW+3.3V)
168	DISC/X	—	Not used
169	RGB	O	RGB control signal output
170	TSD_M	O	TSD signal output to IC1201
171	NC	—	Not used
172	NC	—	Not used
173	DVDD18	—	Power supply (+1.8V)
174	FWD	O	FWD signal output to IC1201
175	NC	—	Not used



Pin No.	Pin Name	I/O	Description
176	LIMSW	O	LIMSW signal output to optical pick-up
177	OCSW	I	SEN signal input from system controller (IC501)/OCSW signal input
178	REW	O	REW signal output to IC1201
179	CKSW	I	CKSW signal input (not used)
180	NC	—	Not used
181	NC	—	Not used
182	DVDD3	—	Power supply (SW+3.3V)
183	NC	—	Not used
184	NC	—	Not used
185	NC	—	Not used
186	NC	—	Not used
187	NC	—	Not used
188	NC	—	Not used
189	DAVCC	—	Power supply (+3.3V from IC1105)
190	VREF	I	Bandgap reference voltage (not used)
191	FS	O	Full scale adjustment (pull down)
192	YUV0	—	Not used
193	DAVSS	—	Ground terminal
194	YUV1	O	Y signal output to VIDEO AMP (IC201)
195	DAVDD	—	Power supply (+3.3V from IC1105)
196	YUV2	O	CHROMA signal output to VIDEO AMP (IC201)
197	DAVSS	—	Ground terminal
198	YUV3	O	VIDEO signal output to VIDEO AMP (IC201)
199	DAVDD	—	Power supply (+3.3V from IC1105)
200	YUV4	O	Y signal output to VIDEO AMP (IC201)
201	DAVSS	—	Ground terminal
202	YUV5	O	Cb signal output to VIDEO AMP (IC201)
203	YUV6	O	Cr signal output to VIDEO AMP (IC201)
204	DVDD3	—	Power supply (SW+3.3V)
205	MIC/VSYNC	I	MIC_DET signal to IC501 (not used)
206	VOICE/YUV7	—	Not used
207	KRMOD/HSYNC	O	KARAOKE MODE signal to IC501 (not used)
208	SMSCK	—	Not used
209	SPDATA/SMSDI	I	Audio data of SPDIF input
210	MUTE	O	MUTE signal to IC1201
211	MUTE123	O	MUTE123 signal to IC1201
212	DVDD3	—	Power supply (SW+3.3V)
213	ALRCK	I	Audio left/right channel clock
214	ABCK	I	Audio bit clock
215	ACLK	O	Audio DAC master clock
216	DVSS	—	Ground terminal
217	ASDATA0	O	Audio serial data 0
218	ASDATA1	O	Audio serial data 1
219	ASDATA2	O	Audio serial data 2
220	XRST	—	Not used
221	DVDD18	—	Power supply (+1.8V)
222	ASDATA4	O	Audio serial data (not used)
223	DVSS	—	Ground terminal
224	DWIDE	—	To pin 209 of IC1101

<b>Pin No.</b>	<b>Pin Name</b>	<b>I/O</b>	<b>Description</b>
225	SDPIF	—	SPDIF output (not used)
226	RFVDD18	—	Ground terminal
227	RFVDD18	—	Power supply (RF+1.8V)
228	XTALO	O	Oscillator output signal (27MHz)
229	XTALI	I	Oscillator input signal (27MHz)
230	JITFO	O	RF jitter meter output
231	JITFN	I	Negative input of operation amplifier for RF jigger meter
232	PLLSS	—	Ground terminal
233	IDAC	—	Not used
234	PLLVD3	—	Power supply (RF+3.3V)
235	LPFON	O	Negative output of loop filter amplifier
236	LPFIP	I	Positive input of loop filter amplifier
237	LPFIN	I	Negative input of loop filter amplifier
238	LPFOP	O	Positive output of loop filter amplifier
239	VDD3	I	Power supply (RF+3.3V)
240	NC	I	Not used
241	VSS	—	Ground terminal
242	NC	—	Not used
243	NC	—	Not used
244	RFVDD3	—	Power supply (RF+3.3V)
245	RFRPDC	I	RFRP signal input
246	RFRPAC	I	RFRP signal input
247	HRFZC	I	High frequency RF ripple zero crossing
248	CRTPLP	O	Defect level filter capacitor connecting
249	RFVDD	—	Ground terminal
250	NC	—	Not used
251	NC	—	Not used
252	OSP	O	RF offset cancellation capacitor connecting
253	OSN	I	RF offset cancellation capacitor connecting
254	RFGC	O	RF offset loop capacitor connecting for DVD-ROM
255	IREF	I	Current reference input (not used)
256	AVDD3	—	Power supply (RF+3.3V)

## SECTION 7 EXPLODED VIEWS

**NOTE:**

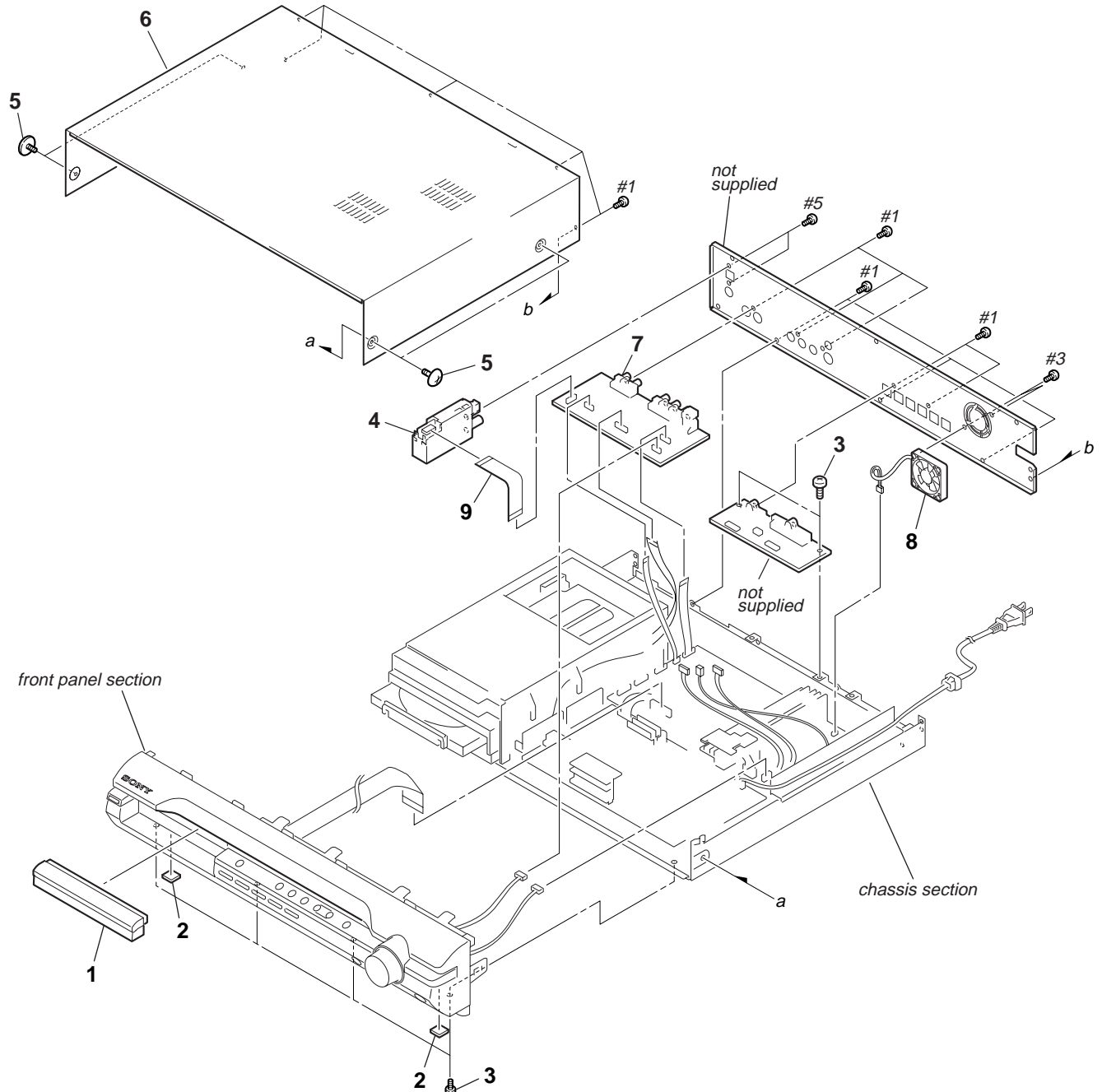
- -XX and -X mean standardized parts, so they may have some difference from the original one.
- Items marked “\*” are not stocked since they are seldom required for routine service. Some delay should be anticipated when ordering these items.

- The mechanical parts with no reference number in the exploded views are not supplied.
- Abbreviation  
 AUS : Australian model  
 CND : Canadian model  
 E3 : 240V AC area in E model  
 MX : Mexican model  
 SP : Singapore model

The components identified by mark  $\triangle$  or dotted line with mark  $\triangle$  are critical for safety. Replace only with part number specified.

Les composants identifiés par une marque  $\triangle$  sont critiques pour la sécurité. Ne les remplacer que par une pièce portant le numéro spécifié.

**7-1. OVERALL SECTION**

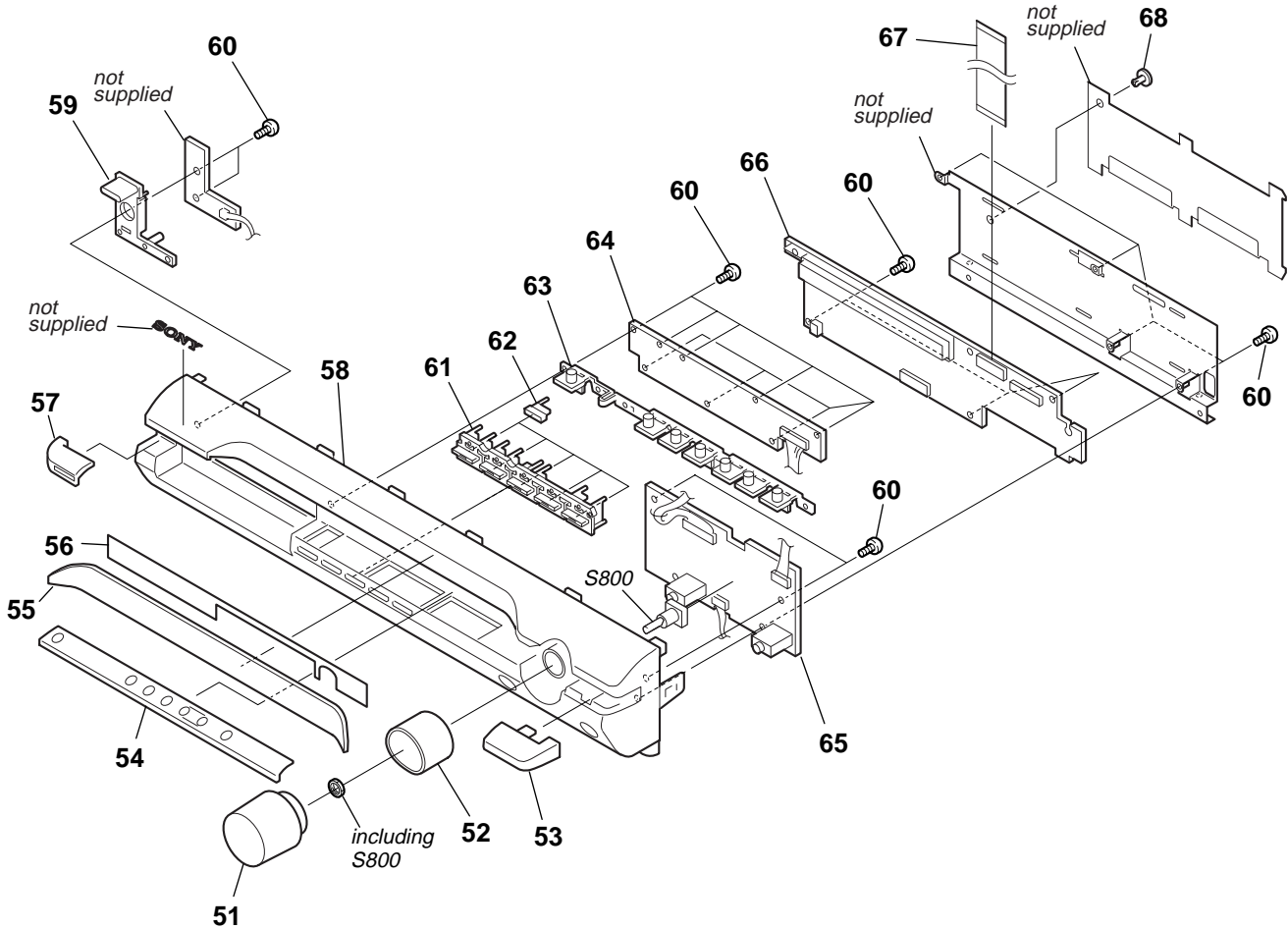


Ref. No.	Part No.	Description	Remark
1	2-653-086-01	PANEL, LOADING	
2	4-232-478-41	FOOT	
3	3-077-331-21	+BV3 (3-CR)	
4	1-693-702-11	TUNER (FM/AM) (TM10SE)	(DX155: E3, MX, SP, AUS)
4	1-693-703-11	TUNER (FM/AM) (TM10SU)	(DX155: US, CND/DX255)
5	3-363-099-51	SCREW (CASE 3 TP2)	
6	2-653-945-01	CASE	

Ref. No.	Part No.	Description	Remark
7	A-1176-129-A	I/O BOARD, COMPLETE	
8	1-787-331-11	FAN, D.C.	
9	1-828-953-11	WIRE (FLAT TYPE) (9 CORE)	
#1	7-685-646-79	SCREW +BVTP 3X8 TYPE2 IT-3	
#3	7-685-881-09	SCREW +BVTT 4X8 (S)	
#5	7-685-871-01	SCREW +BVTT 3X6 (S)	

**Note:** If the wire (flat type) was replaced, fold it some as the wire (flat type) before replacement.

## 7-2. FRONT PANEL SECTION



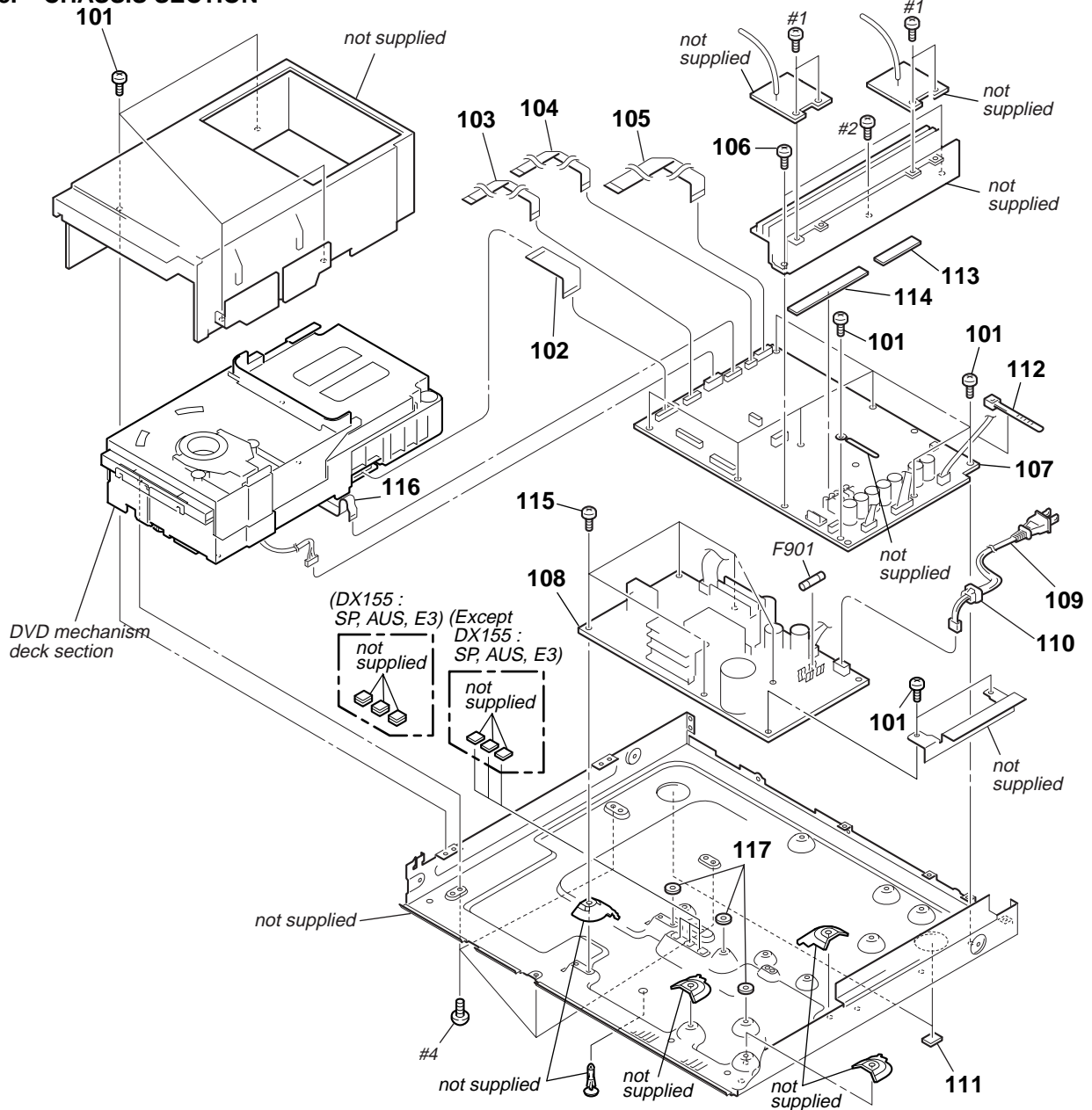
Ref. No.	Part No.	Description	Remark	Ref. No.	Part No.	Description	Remark
51	2-654-836-01	KNOB (VOL)		59	2-653-941-01	BUTTON (POWER)	
52	2-654-835-01	RING (VOL)		60	3-087-053-01	+BVTP2.6 (3CR)	
53	2-653-097-01	ORNAMENT (RIGHT)		61	2-653-091-01	BUTTON (DISC)	
54	2-653-096-01	ORNAMENT (PLAY)		62	2-653-094-01	INDICATOR (DISC)	
55	2-653-098-01	WINDOW, INDICATION		63	2-653-942-01	BUTTON (PLAY)	
56	2-664-622-01	SHEET (WINDOW), ADHESIVE		64	A-1148-823-A	LED BOARD, COMPLETE	
57	2-653-095-01	ORNAMENT (POWER)		65	A-1148-824-A	JACK BOARD, COMPLETE	
58	2-653-085-11	PANEL, FRONT (DX155: E3, SP, AUS)		66	A-1148-821-A	FL BOARD, COMPLETE	
58	2-653-085-21	PANEL, FRONT (DX155: US, CND)		67	1-828-384-11	WIRE (FLAT TYPE) (23 CORE)	
58	2-653-085-31	PANEL, FRONT (DX255)		68	3-531-576-01	RIVET	
58	2-653-085-41	PANEL, FRONT (DX155: MX)		S800	1-418-725-51	ENCODER, ROTARY (12 TYPE)	

(- + VOLUME)

**Note:** If the wire (flat type) was replaced, fold it some as the wire (flat type) before replacement.

**Note:** If the wire (flat type) was replaced, fold it some as the wire (flat type) before replacement.

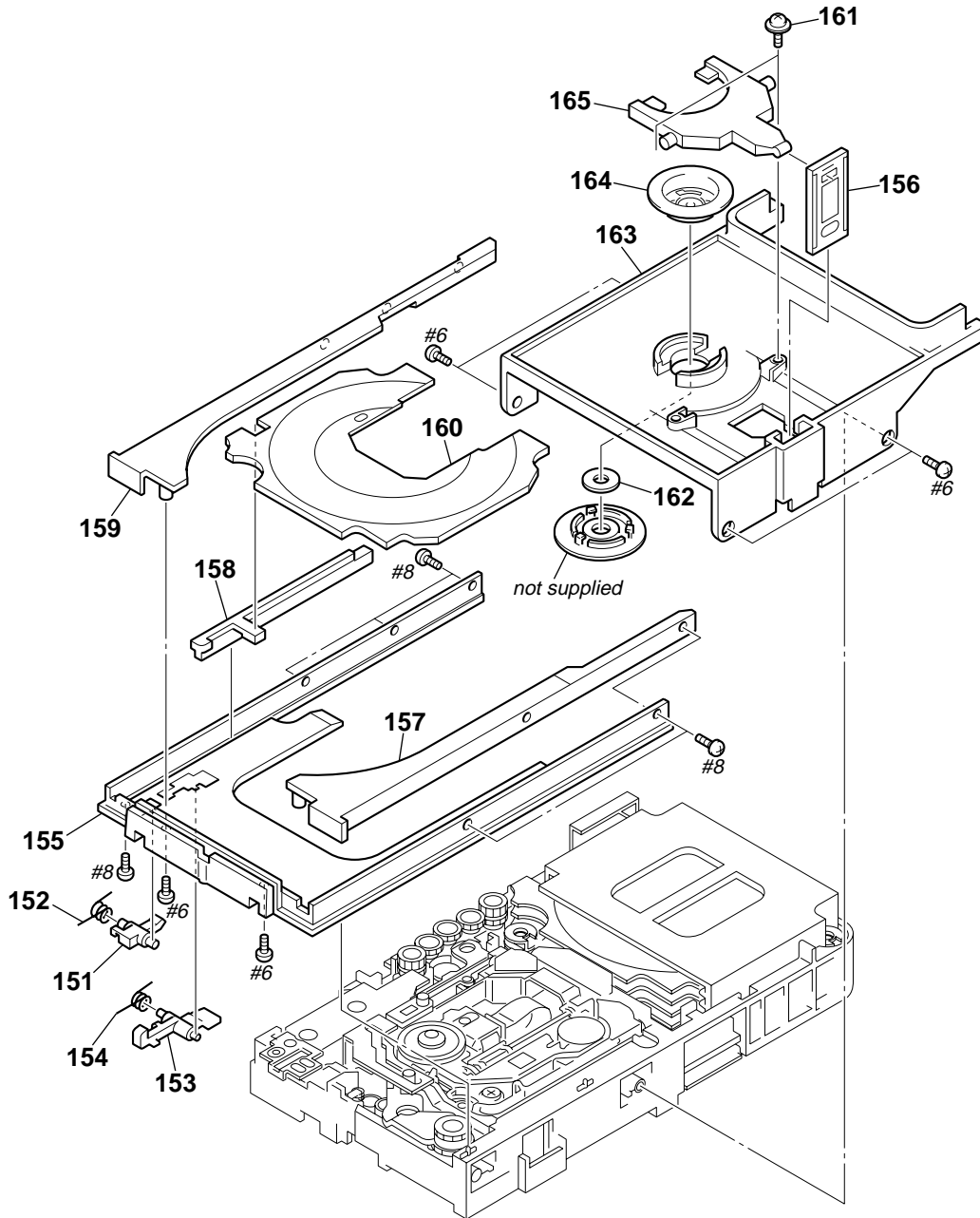
**7-3. CHASSIS SECTION**



Ref. No.	Part No.	Description	Remark	Ref. No.	Part No.	Description	Remark
101	3-077-331-21	+BV3 (3-CR)		△ 109	1-830-188-11	CORD, POWER (DX155: E3, SP)	
102	1-828-369-11	WIRE (FLAT TYPE) (21 CORE)		△ 109	1-830-190-11	CORD, POWER (DX155: US, CND/DX255)	
103	1-828-331-11	WIRE (FLAT TYPE) (13 CORE)		110	3-703-244-00	BUSHING (2104), CORD (EXCEPT DX155: MX)	
104	1-828-301-11	WIRE (FLAT TYPE) (7 CORE)					
105	1-828-327-11	WIRE (FLAT TYPE) (13 CORE)		* 110	3-703-571-12	BUSHING (S) (4516), CORD (DX155: MX)	
106	3-077-331-01	+BV3 (3-CR)		111	4-232-478-41	FOOT	
☆ 107	A-1151-985-A	MAIN BOARD, COMPLETE (DX155: US, CND)		112	4-059-585-01	TIE, CABLE	
☆ 107	A-1152-007-A	MAIN BOARD, COMPLETE (DX155: SP)		113	2-597-972-01	SHEET, RADIATION (DX255: CND)	
☆ 107	A-1152-028-A	MAIN BOARD, COMPLETE (DX255)		113	2-597-972-21	SHEET, RADIATION (DX155: EXCEPT US)	
☆ 107	A-1171-566-A	MAIN BOARD, COMPLETE (DX155: E3)		113	2-597-972-51	SHEET, RADIATION (DX255: US)	
☆ 107	A-1172-050-A	MAIN BOARD, COMPLETE (DX155: AUS)		113	2-597-972-61	SHEET, RADIATION (DX155: US)	
☆ 107	A-1172-052-A	MAIN BOARD, COMPLETE (DX155: MX)		114	2-597-972-11	SHEET, RADIATION	
108	A-1144-950-A	POWER BOARD, COMPLETE (E3, SP, AUS)		115	2-677-839-01	+PWH 3X8 (SUMITITE)	
108	A-1146-005-A	POWER BOARD, COMPLETE (DX155: US, CND/DX255)		116	1-828-774-51	WIRE (FLAT TYPE) (24CORE)	
108	A-1146-091-A	POWER BOARD, COMPLETE (DX155: MX)		117	2-683-531-01	PWB WASHER (DX155: E3, SP, AUS)	
△ 109	1-827-226-41	CORD, POWER (DX155: MX)		△ F901	1-532-325-00	FUSE (T6.3AL/250V)(DX155: E3, SP, AUS)	
△ 109	1-829-259-11	CORD, POWER (DX155: AUS)		△ F901	1-532-749-11	FUSE, GLASS CYLINDRICAL (DIA.5)(8A/125V) (DX155: US, CND, MX/DX255)	
				#1	7-685-646-79	SCREW +BVTP 3X8 TYPE2 IT-3	
				#2	7-685-648-79	SCREW +BVTP 3X12 TYPE2 IT-3	
				#4	7-685-647-79	SCREW +BVTP 3X10 TYPE2 IT-3	

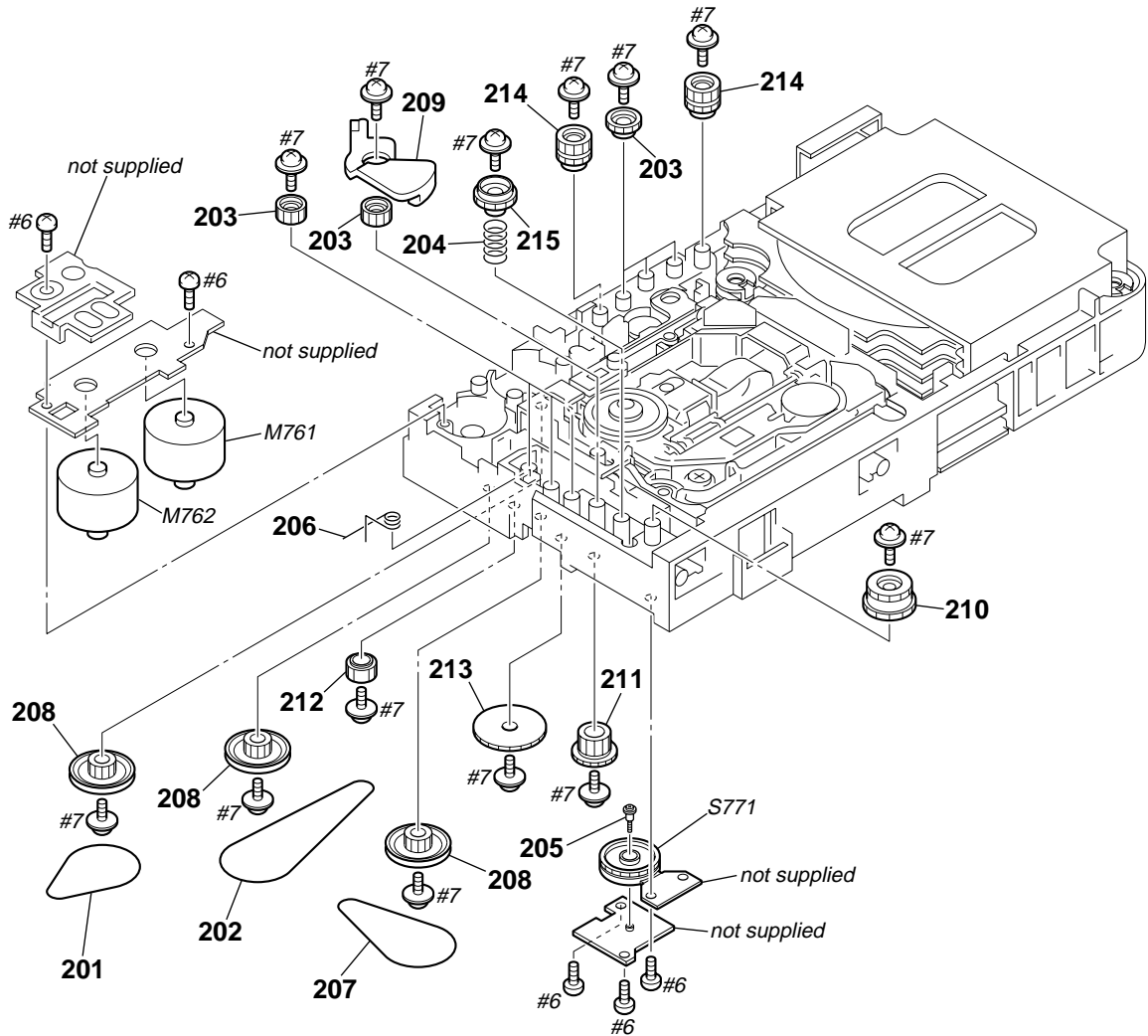
☆ New part of EEPROM (IC1103) on the MAIN board cannot be used. Therefore, if the mounted MAIN board (A-1151-985-A, etc.) is replaced, exchange new EEPROM (IC1103) with that used before the replacement.

7-4. DVD MECHANISM DECK SECTION-1 (CDM81C-DVBU101)



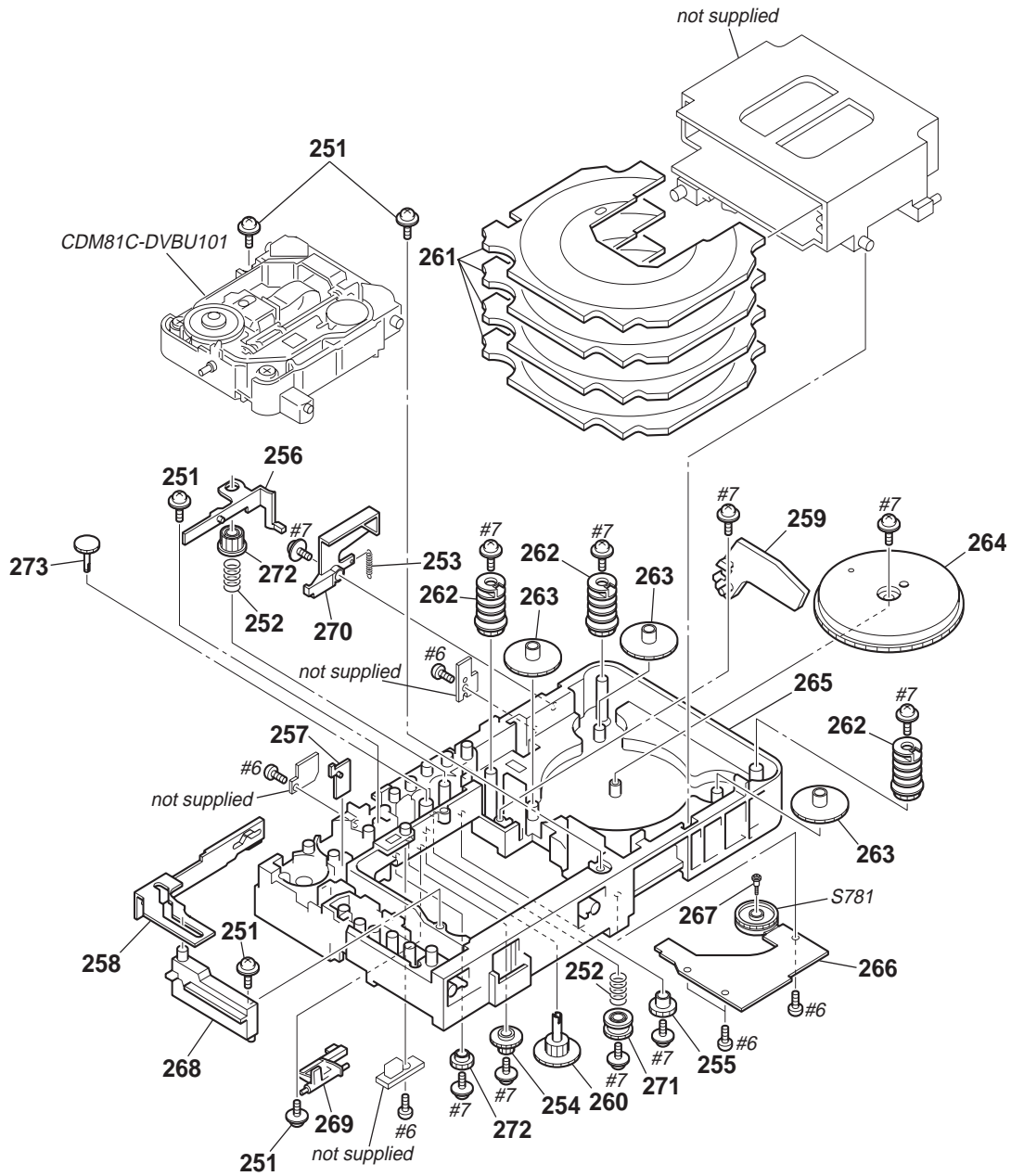
Ref. No.	Part No.	Description	Remark	Ref. No.	Part No.	Description	Remark
151	4-251-849-01	LEVER (SW2)		160	4-251-829-02	TRAY (SUB)	
152	4-251-991-01	SPRING (SW2), TORSION		161	4-985-672-01	SCREW (+PTPWH M2.6), FLOATING	
153	4-251-860-01	LEVER (LOCK)		162	4-251-923-01	YOKE (310)	
154	4-251-867-01	SPRING (LOCK), TORSION		163	4-251-821-03	BRACKET (TOP)	
155	4-251-828-01	TRAY (MAIN)		164	4-251-922-01	PULLEY B (310), CHUCKING	
156	4-251-822-01	JOINT (LIFTER)		165	4-251-824-01	LIFTER	
157	4-251-857-01	COVER (R)		#6	7-685-534-19	SCREW +BTP 2.6X8 TYPE2 N-S	
158	4-251-830-01	SLIDER (ST)		#8	7-685-102-19	SCREW +P 2X4 NON-SLIT TYPE 2	
159	4-251-858-01	COVER (L)					

7-5. DVD MECHANISM DECK SECTION-2 (CDM81C-DVBU101)



Ref. No.	Part No.	Description	Remark	Ref. No.	Part No.	Description	Remark
201	4-251-870-01	BELT (BU)		211	4-251-856-01	GEAR (BU2)	
202	4-251-869-01	BELT (MAIN TRAY)		212	4-251-850-01	GEAR (MAIN TRAY 1)	
203	4-251-841-01	GEAR (SUB TRAY 1)		213	4-251-854-01	GEAR (BU1)	
204	4-251-873-01	SPRING (MODE), COMPRESSION		214	4-251-842-01	GEAR (SUB TRAY 2)	
205	4-239-618-01	SCREW (+PWH, 2X6), STEP TAPPING		215	4-251-851-01	GEAR (MAIN TRAY 2)	
206	4-251-872-01	SPRING (LEVER), TORSION		M761	A-4713-174-A	MOTOR (81) ASSY (LD/ST MOTOR)	
207	4-251-868-01	BELT (SUB TRAY)		M762	A-4713-174-A	MOTOR (81) ASSY (BU U/D MOTOR)	
208	4-251-853-01	PULLEY (BU)		S771	1-478-552-11	ENCODER, ROTARY (MD)	
209	4-251-834-01	LEVER (MAIN TRAY)		#6	7-685-534-19	SCREW +BTP 2.6X8 TYPE2 N-S	
210	4-251-852-01	GEAR (MAIN TRAY 3)		#7	7-685-902-21	SCREW +PTPWH 2.6X8 (TYPE2)	

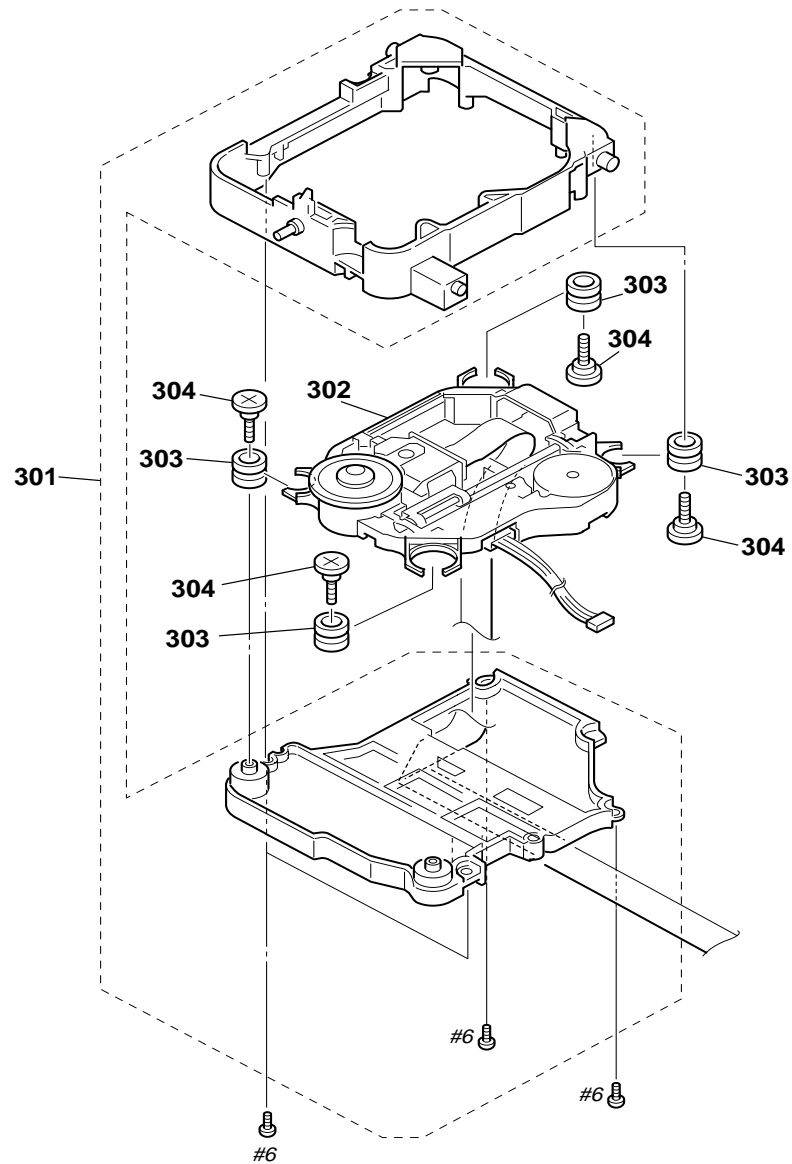
7-6. DVD MECHANISM DECK SECTION-3 (CDM81C-DVBU101)



Ref. No.	Part No.	Description	Remark	Ref. No.	Part No.	Description	Remark
251	4-985-672-01	SCREW (+PTPWH M2.6), FLOATING		265	4-251-823-01	CHASSIS (CDM81)	
252	4-251-873-01	SPRING (MODE), COMPRESSION		266	A-4750-232-A	RELAY BOARD, COMPLETE	
253	4-251-874-02	SPRING (SW), TENSION		267	4-239-618-01	SCREW (+PWH, 2X6), STEP TAPPING	
254	4-251-844-01	GEAR (SS2)		268	4-251-825-01	CAM (BU)	
255	4-251-835-01	GEAR (STOCKER 1)		269	4-251-832-01	LEVER (STOCKER)	
256	4-251-833-01	LEVER (SUB TRAY)		270	4-251-861-01	LEVER (SW)	
257	4-251-843-01	LEVER (RELEASE)		271	4-251-839-01	GEAR (STOCKER 4)	
258	4-251-831-02	LEVER (MODE)		272	4-251-840-01	GEAR (SUB TRAY)	
259	4-251-862-01	SHUTTER (TRAY)		273	4-251-847-01	GEAR (SS4)	
260	4-251-845-01	GEAR (SS3)		S781	1-478-551-11	ENCODER, ROTARY (ST U/D ENCODER)	
261	4-251-829-02	TRAY (SUB)		#6	7-685-534-19	SCREW +BTP 2.6X8 TYPE2 N-S	
262	4-251-827-01	CAM (STOCKER)		#7	7-685-902-21	SCREW +PTPWH 2.6X8 (TYPE2)	
263	4-251-836-01	GEAR (STOCKER 2)					
264	4-251-838-01	GEAR (STOCKER 3)					



7-7. BASE UNIT (DVBU101)



Ref. No.	Part No.	Description	Remark	Ref. No.	Part No.	Description	Remark
301	X-4956-097-1	HOLDER (310) ASSY		304	3-087-599-01	INSULATOR SCREW	
△302	8-820-291-02	OPTICAL PICK-UP (KHM-310CAB/C2RP)		#6	7-685-534-19	SCREW +BTP 2.6X8 TYPE2 N-S	
303	2-634-618-01	INSULATOR					

**SECTION 8  
ELECTRICAL PARTS LIST**

**FL**

**NOTE:**

- Due to standardization, replacements in the parts list may be different from the parts specified in the diagrams or the components used on the set.
- -XX and -X mean standardized parts, so they may have some difference from the original one.
- Items marked “\*\*” are not stocked since they are seldom required for routine service. Some delay should be anticipated when ordering these items.
- CAPACITORS  
uF: μF
- COILS  
uH: μH

- RESISTORS  
All resistors are in ohms.  
METAL: Metal-film resistor.  
METAL OXIDE: Metal oxide-film resistor.  
F: nonflammable
- SEMICONDUCTORS  
In each case, u: μ, for example:  
uA. . : μA. .,      uPA. . : μPA. .,  
uPB. . : μPB. .,    uPC. . : μPC. .,  
uPD. . : μPD. .
- Abbreviation  
AUS : Australian model  
CND : Canadian model  
E3 : 240V AC area in E model  
MX : Mexican model  
SP : Singapore model

When indicating parts by reference number, please include the board name.

The components identified by mark  $\Delta$  or dotted line with mark  $\Delta$  are critical for safety. Replace only with part number specified.

Les composants identifiés par une marque  $\Delta$  sont critiques pour la sécurité. Ne les remplacer que par une pièce portant le numéro spécifié.

Ref. No.	Part No.	Description	Remark	Ref. No.	Part No.	Description	Remark
	A-1148-821-A	FL BOARD, COMPLETE *****		D804	6-501-193-01	DIODE 1SS355WTE-17	
		< CAPACITOR >		D805	6-501-193-01	DIODE 1SS355WTE-17	
C435	1-107-823-11	CERAMIC CHIP 0.47uF 10%	16V			< FERRITE BEAD >	
C436	1-125-837-91	CERAMIC CHIP 1uF 10%	6.3V	FB806	1-414-813-11	FERRITE, EMI (SMD) (2012)	
C800	1-162-968-11	CERAMIC CHIP 0.0047uF 10%	50V			< FLUORESCENT INDICATOR >	
C801	1-163-037-11	CERAMIC CHIP 0.022uF 10%	50V	FL801	1-519-852-11	FLUORESCENT INDICATOR	
C802	1-119-943-91	ELECT 47uF 20%	50V			< IC >	
C803	1-124-584-00	ELECT 100uF 20%	10V	IC801	6-600-349-21	IC NJL23H400A	
C804	1-162-974-11	CERAMIC CHIP 0.01uF	50V	IC802	8-759-643-83	IC PT6315	
C805	1-164-360-11	CERAMIC CHIP 0.1uF	16V			< SHORT >	
C809	1-126-157-11	ELECT 10uF 20%	16V	JR807	1-216-296-11	SHORT CHIP 0	
C811	1-162-970-11	CERAMIC CHIP 0.01uF 10%	25V			< COIL >	
C812	1-162-960-11	CERAMIC CHIP 220PF 10%	50V	L801	1-410-671-31	INDUCTOR 47uH	
C813	1-162-960-11	CERAMIC CHIP 220PF 10%	50V	L802	1-410-671-31	INDUCTOR 47uH	
C814	1-126-157-11	ELECT 10uF 20%	16V			< TRANSISTOR >	
C815	1-162-960-11	CERAMIC CHIP 220PF 10%	50V	Q801	6-550-065-01	TRANSISTOR CPH5504-TL-E	
C816	1-162-960-11	CERAMIC CHIP 220PF 10%	50V	Q802	8-729-120-28	TRANSISTOR 2SC3052EF-T1-LEF	
C817	1-162-960-11	CERAMIC CHIP 220PF 10%	50V			< RESISTOR >	
C818	1-162-960-11	CERAMIC CHIP 220PF 10%	50V	R436	1-216-834-11	METAL CHIP 12K 5%	1/10W
C821	1-162-960-11	CERAMIC CHIP 220PF 10%	50V	R437	1-216-835-11	METAL CHIP 15K 5%	1/10W
C822	1-162-960-11	CERAMIC CHIP 220PF 10%	50V	R800	1-216-821-11	METAL CHIP 1K 5%	1/10W
C823	1-162-960-11	CERAMIC CHIP 220PF 10%	50V	R801	1-216-839-11	METAL CHIP 33K 5%	1/10W
C825	1-162-960-11	CERAMIC CHIP 220PF 10%	50V	R802	1-216-809-11	METAL CHIP 100 5%	1/10W
C826	1-162-960-11	CERAMIC CHIP 220PF 10%	50V	R804	1-216-828-11	METAL CHIP 3.9K 5%	1/10W
C829	1-128-131-11	ELECT 22uF 20%	50V	R805	1-216-295-91	SHORT CHIP 0	
C832	1-162-960-11	CERAMIC CHIP 220PF 10%	50V	R811	1-216-844-11	METAL CHIP 82K 5%	1/10W
		< CONNECTOR >		R814	1-216-809-11	METAL CHIP 100 5%	1/10W
CN801	1-779-560-21	CONNECTOR, FFC (LIF (NON-ZIF)) 23P		R815	1-216-809-11	METAL CHIP 100 5%	1/10W
CN805	1-785-336-11	PIN, CONNECTOR (LIGHT ANGLE) 10P		R816	1-216-809-11	METAL CHIP 100 5%	1/10W
CN811	1-785-336-11	PIN, CONNECTOR (LIGHT ANGLE) 10P		R817	1-216-821-11	METAL CHIP 1K 5%	1/10W
		< CONNECTOR >		R819	1-216-805-11	METAL CHIP 47 5%	1/10W
CNP801	1-785-328-11	PIN, CONNECTOR (LIGHT ANGRE) 2P		R820	1-216-845-11	METAL CHIP 100K 5%	1/10W
		< DIODE >		R823	1-216-805-11	METAL CHIP 47 5%	1/10W
D431	6-501-193-01	DIODE 1SS355WTE-17					
D432	6-501-193-01	DIODE 1SS355WTE-17					
D801	6-501-193-01	DIODE 1SS355WTE-17					
D802	6-501-193-01	DIODE 1SS355WTE-17					
D803	8-719-069-56	DIODE UDZSTE-176.2B					

Ref. No.	Part No.	Description	Remark	Ref. No.	Part No.	Description	Remark
		< TRANSFORMER >					
T801	1-443-645-11	TRANSFORMER, DC CONVERTER		CN311	1-779-281-11	CONNECTOR, FFC (LIF (NON-ZIF)) 13P	
*****				CN312	1-785-317-11	PIN, CONNECTOR (STRAIGHT) 5P	
	A-1176-129-A	I/O BOARD, COMPLETE				< IC >	
		*****		IC201	6-705-602-01	IC MM1623BFBE	
		< CAPACITOR >		IC352	8-759-385-76	IC MC14052 BDR2	
				IC353	8-759-100-96	IC NJM4558M-TE2	
				IC360	6-703-550-01	IC TA7809LS	
						< JACK >	
C201	1-126-964-11	ELECT	10uF 20% 50V	J200	1-778-940-11	JACK 2P (TV/VCR)	
C202	1-115-156-11	CERAMIC CHIP	1uF 10V	J201	1-694-920-11	TERMINAL BOARD (S TERMINAL+1P) (VIDEO, S VIDEO(DVD ONLY))(MONITOR OUT)	
C203	1-115-156-11	CERAMIC CHIP	1uF 10V	J202	1-817-601-11	JACK, PIN 3P (Y, CB/PB, CR/PR) (COMPONENT VIDEO OUT)	
C204	1-115-156-11	CERAMIC CHIP	1uF 10V			< COIL >	
C205	1-162-964-11	CERAMIC CHIP	0.001uF 10% 50V	L201	1-469-525-91	INDUCTOR 10uH	
				L202	1-469-525-91	INDUCTOR 10uH	
C207	1-126-964-11	ELECT	10uF 20% 50V	L352	1-469-525-91	INDUCTOR 10uH	
C208	1-164-156-11	CERAMIC CHIP	0.1uF 25V			< TRANSISTOR >	
C209	1-164-156-11	CERAMIC CHIP	0.1uF 25V	Q353	8-729-027-52	TRANSISTOR RT1N241C-TP-1	
C210	1-126-925-91	ELECT	470uF 20% 10V	Q354	8-729-027-52	TRANSISTOR RT1N241C-TP-1	
C212	1-162-921-11	CERAMIC CHIP	33PF 5% 50V	Q360	8-729-027-23	TRANSISTOR RT1P141C-TP-1	
				Q361	8-729-120-28	TRANSISTOR 2SC3052EF-T1-LEF	
C213	1-126-933-11	ELECT	100uF 20% 16V	Q362	8-729-120-28	TRANSISTOR 2SC3052EF-T1-LEF	
C214	1-164-156-11	CERAMIC CHIP	0.1uF 25V			< RESISTOR >	
C223	1-164-156-11	CERAMIC CHIP	0.1uF 25V	R204	1-216-821-11	METAL CHIP 1K 5% 1/10W	
C224	1-126-916-11	ELECT	1000uF 20% 6.3V	R207	1-216-864-11	SHORT CHIP 0	
C225	1-126-916-11	ELECT	1000uF 20% 6.3V	R209	1-216-864-11	SHORT CHIP 0	
				R228	1-216-833-11	METAL CHIP 10K 5% 1/10W	
C226	1-126-916-11	ELECT	1000uF 20% 6.3V	R229	1-218-285-11	METAL CHIP 75 5% 1/10W	
C227	1-126-933-11	ELECT	100uF 20% 16V	R230	1-218-285-11	METAL CHIP 75 5% 1/10W	
C228	1-126-933-11	ELECT	100uF 20% 16V	R231	1-218-285-11	METAL CHIP 75 5% 1/10W	
C234	1-126-382-11	ELECT	100uF 20% 16V	R232	1-218-285-11	METAL CHIP 75 5% 1/10W	
C235	1-104-662-91	ELECT	22uF 20% 25V	R233	1-218-285-11	METAL CHIP 75 5% 1/10W	
				R234	1-216-809-11	METAL CHIP 100 5% 1/10W	
C236	1-104-662-91	ELECT	22uF 20% 25V	R235	1-216-809-11	METAL CHIP 100 5% 1/10W	
C239	1-164-156-11	CERAMIC CHIP	0.1uF 25V	R241	1-218-285-11	METAL CHIP 75 5% 1/10W	
C242	1-162-964-11	CERAMIC CHIP	0.001uF 10% 50V	R253	1-216-845-11	METAL CHIP 100K 5% 1/10W	
C333	1-126-933-11	ELECT	100uF 20% 16V	R254	1-216-845-11	METAL CHIP 100K 5% 1/10W	
C334	1-164-156-11	CERAMIC CHIP	0.1uF 25V	R255	1-216-845-11	METAL CHIP 100K 5% 1/10W	
				R256	1-216-845-11	METAL CHIP 100K 5% 1/10W	
C336	1-164-156-11	CERAMIC CHIP	0.1uF 25V	R263	1-216-833-11	METAL CHIP 10K 5% 1/10W	
C337	1-104-662-91	ELECT	22uF 20% 25V	R271	1-218-827-11	METAL CHIP 150 0.5% 1/10W	
C338	1-126-933-11	ELECT	100uF 20% 16V	R272	1-218-827-11	METAL CHIP 150 0.5% 1/10W	
C339	1-164-156-11	CERAMIC CHIP	0.1uF 25V	R273	1-218-827-11	METAL CHIP 150 0.5% 1/10W	
C340	1-104-662-91	ELECT	22uF 20% 25V				
				R274	1-218-827-11	METAL CHIP 150 0.5% 1/10W	
C341	1-104-662-91	ELECT	22uF 20% 25V	R275	1-218-827-11	METAL CHIP 150 0.5% 1/10W	
C342	1-104-662-91	ELECT	22uF 20% 25V	R276	1-218-827-11	METAL CHIP 150 0.5% 1/10W	
C345	1-126-796-11	ELECT	22uF 20% 25V	R292	1-216-864-11	SHORT CHIP 0	
C346	1-126-796-11	ELECT	22uF 20% 25V	R294	1-216-864-11	SHORT CHIP 0	
C348	1-127-573-11	CERAMIC CHIP	1uF 10% 16V				
				R330	1-218-867-11	METAL CHIP 6.8K 5% 1/10W	
C349	1-126-796-11	ELECT	22uF 20% 25V	R331	1-218-867-11	METAL CHIP 6.8K 5% 1/10W	
C350	1-126-796-11	ELECT	22uF 20% 25V	R334	1-218-867-11	METAL CHIP 6.8K 5% 1/10W	
C351	1-126-947-11	ELECT	47uF 20% 16V	R343	1-216-829-11	METAL CHIP 4.7K 5% 1/10W	
C352	1-107-826-11	CERAMIC CHIP	0.1uF 10% 16V	R344	1-216-829-11	METAL CHIP 4.7K 5% 1/10W	
C354	1-162-964-11	CERAMIC CHIP	0.001uF 10% 50V				
		< CONNECTOR >					
CN201	1-779-281-11	CONNECTOR, FFC (LIF (NON-ZIF)) 13P					
CN202	1-779-275-11	CONNECTOR, FFC (LIF (NON-ZIF)) 7P					
CN203	1-568-828-11	CONNECTOR, FFC 9P					

# HCD-DX155/DX255

Ver. 1.2

I/O JACK

Ref. No.	Part No.	Description	Remark
R349	1-216-833-11	METAL CHIP 10K 5%	1/10W
R350	1-216-833-11	METAL CHIP 10K 5%	1/10W
R356	1-216-829-11	METAL CHIP 4.7K 5%	1/10W
R357	1-216-829-11	METAL CHIP 4.7K 5%	1/10W
R358	1-216-841-11	METAL CHIP 47K 5%	1/10W
R359	1-216-817-11	METAL CHIP 470 5%	1/10W
R360	1-216-817-11	METAL CHIP 470 5%	1/10W
R363	1-216-829-11	METAL CHIP 4.7K 5%	1/10W
R364	1-216-829-11	METAL CHIP 4.7K 5%	1/10W
R365	1-216-841-11	METAL CHIP 47K 5%	1/10W
R366	1-216-841-11	METAL CHIP 47K 5%	1/10W
R367	1-216-821-11	METAL CHIP 1K 5%	1/10W
R368	1-216-833-11	METAL CHIP 10K 5%	1/10W
R369	1-216-821-11	METAL CHIP 1K 5%	1/10W
R370	1-216-833-11	METAL CHIP 10K 5%	1/10W
R374	1-216-841-11	METAL CHIP 47K 5%	1/10W
R375	1-216-821-11	METAL CHIP 1K 5%	1/10W
R376	1-216-864-11	SHORT CHIP 0	
R377	1-216-841-11	METAL CHIP 47K 5%	1/10W
R378	1-216-841-11	METAL CHIP 47K 5%	1/10W
R381	1-216-841-11	METAL CHIP 47K 5%	1/10W
R382	1-216-841-11	METAL CHIP 47K 5%	1/10W
R384	1-216-841-11	METAL CHIP 47K 5%	1/10W
R385	1-218-867-11	METAL CHIP 6.8K 5%	1/10W
R386	1-216-841-11	METAL CHIP 47K 5%	1/10W
*****			
A-1148-824-A	JACK BOARD, COMPLETE		
*****			
< CAPACITOR >			
C401	1-124-589-11	ELECT 47uF 20%	16V
C403	1-124-584-00	ELECT 100uF 20%	10V
C405	1-164-156-11	CERAMIC CHIP 0.1uF	25V
C410	1-162-927-11	CERAMIC CHIP 100PF	5% 50V
C411	1-126-157-11	ELECT 10uF 20%	16V
C412	1-162-923-11	CERAMIC CHIP 47PF	5% 50V
C413	1-162-960-11	CERAMIC CHIP 220PF	10% 50V
C420	1-162-927-11	CERAMIC CHIP 100PF	5% 50V
C421	1-126-157-11	ELECT 10uF 20%	16V
C422	1-162-923-11	CERAMIC CHIP 47PF	5% 50V
C423	1-162-960-11	CERAMIC CHIP 220PF	10% 50V
C431	1-117-863-11	CERAMIC CHIP 0.47uF	10% 6.3V
C432	1-162-923-11	CERAMIC CHIP 47PF	5% 50V
C433	1-162-925-11	CERAMIC CHIP 68PF	5% 50V
C434	1-165-176-11	CERAMIC CHIP 0.047uF	10% 16V
C450	1-162-970-11	CERAMIC CHIP 0.01uF	10% 25V
C460	1-162-970-11	CERAMIC CHIP 0.01uF	10% 25V
C471	1-124-222-91	ELECT 22uF 20%	6.3V
C491	1-162-964-11	CERAMIC CHIP 0.001uF	10% 50V
C493	1-162-962-11	CERAMIC CHIP 470PF	10% 50V
C819	1-162-970-11	CERAMIC CHIP 0.01uF	10% 25V
C820	1-162-970-11	CERAMIC CHIP 0.01uF	10% 25V
< DIODE >			
D433	6-501-193-01	DIODE 1SS355WTE-17	
D470	6-501-193-01	DIODE 1SS355WTE-17	
D492	6-501-193-01	DIODE 1SS355WTE-17	

Ref. No.	Part No.	Description	Remark
D493	6-501-193-01	DIODE 1SS355WTE-17	
D496	6-501-193-01	DIODE 1SS355WTE-17	
D497	6-501-193-01	DIODE 1SS355WTE-17	
< FERRITE BEAD >			
FB410	1-469-144-21	FERRITE, EMI (SMD) (2012)	
FB420	1-469-144-21	FERRITE, EMI (SMD) (2012)	
FB450	1-216-864-11	SHORT CHIP 0	
FB451	1-469-144-21	FERRITE, EMI (SMD) (2012)	
FB460	1-216-864-11	SHORT CHIP 0	
FB461	1-469-144-21	FERRITE, EMI (SMD) (2012)	
FB470	1-469-144-21	FERRITE, EMI (SMD) (2012)	
FB471	1-469-144-21	FERRITE, EMI (SMD) (2012)	
FB472	1-469-144-21	FERRITE, EMI (SMD) (2012)	
FB474	1-469-144-21	FERRITE, EMI (SMD) (2012)	
FB475	1-469-144-21	FERRITE, EMI (SMD) (2012)	
FB478	1-469-144-21	FERRITE, EMI (SMD) (2012)	
FB479	1-500-284-21	INDUCTOR, FERRITE BEAD	
< IC >			
IC401	8-759-100-96	IC NJM4558M-TE2	
IC402	8-759-100-96	IC NJM4558M-TE2	
< JACK >			
J401	1-819-878-11	JACK (AUDIO IN/A.CAL MIC)	
J402	1-819-878-11	JACK (PHONES)	
< SHORT >			
JR811	1-216-864-11	SHORT CHIP 0	
JR812	1-216-864-11	SHORT CHIP 0	
JR813	1-216-864-11	SHORT CHIP 0	
JR814	1-216-864-11	SHORT CHIP 0	
JR816	1-216-864-11	SHORT CHIP 0	
JR817	1-216-864-11	SHORT CHIP 0	
< TRANSISTOR >			
Q450	6-550-889-01	TRANSISTOR 2SC5938-T112-1B	
Q451	6-550-889-01	TRANSISTOR 2SC5938-T112-1B	
Q460	6-550-889-01	TRANSISTOR 2SC5938-T112-1B	
Q461	6-550-889-01	TRANSISTOR 2SC5938-T112-1B	
Q470	1-801-806-11	TRANSISTOR RT1N441C-TP-1	
Q471	8-729-027-23	TRANSISTOR RT1P141C-TP-1	
Q472	8-729-048-50	TRANSISTOR 2SK3018-T106	
Q473	8-729-027-23	TRANSISTOR RT1P141C-TP-1	
Q474	8-729-027-24	TRANSISTOR RT1P140C-TP-1	
Q475	1-801-806-11	TRANSISTOR RT1N441C-TP-1	
Q476	8-729-027-44	TRANSISTOR RT1N140C-TP-1	
< RESISTOR >			
R401	1-218-707-11	METAL CHIP 4.3K 5%	1/10W
R402	1-216-829-11	METAL CHIP 4.7K 5%	1/10W
R410	1-216-845-11	METAL CHIP 100K 5%	1/10W
R411	1-216-817-11	METAL CHIP 470 5%	1/10W
R412	1-216-837-11	METAL CHIP 22K 5%	1/10W
R413	1-216-821-11	METAL CHIP 1K 5%	1/10W
R414	1-216-835-11	METAL CHIP 15K 5%	1/10W

Ref. No.	Part No.	Description	Remark	Ref. No.	Part No.	Description	Remark
R415	1-216-821-11	METAL CHIP	1K 5% 1/10W			< TRANSISTOR >	
R420	1-216-845-11	METAL CHIP	100K 5% 1/10W				
R421	1-216-817-11	METAL CHIP	470 5% 1/10W				
R422	1-216-837-11	METAL CHIP	22K 5% 1/10W				
R423	1-216-821-11	METAL CHIP	1K 5% 1/10W				
R424	1-216-821-11	METAL CHIP	1K 5% 1/10W				
R431	1-216-864-11	SHORT CHIP	0				
R432	1-216-837-11	METAL CHIP	22K 5% 1/10W				
R433	1-216-827-11	METAL CHIP	3.3K 5% 1/10W				
R434	1-216-864-11	SHORT CHIP	0				
R435	1-216-857-11	METAL CHIP	1M 5% 1/10W				
R450	1-216-829-11	METAL CHIP	4.7K 5% 1/10W				
R451	1-216-801-11	METAL CHIP	22 5% 1/10W			< RESISTOR >	
R452	1-216-805-11	METAL CHIP	47 5% 1/10W	R806	1-216-809-11	METAL CHIP	100 5% 1/10W
R453	1-216-829-11	METAL CHIP	4.7K 5% 1/10W	R807	1-216-809-11	METAL CHIP	100 5% 1/10W
R454	1-216-829-11	METAL CHIP	4.7K 5% 1/10W	R808	1-216-809-11	METAL CHIP	100 5% 1/10W
R460	1-216-829-11	METAL CHIP	4.7K 5% 1/10W	R827	1-216-825-11	METAL CHIP	2.2K 5% 1/10W
R461	1-216-801-11	METAL CHIP	22 5% 1/10W	R828	1-216-829-11	METAL CHIP	4.7K 5% 1/10W
R462	1-216-805-11	METAL CHIP	47 5% 1/10W	R829	1-216-833-11	METAL CHIP	10K 5% 1/10W
R463	1-216-829-11	METAL CHIP	4.7K 5% 1/10W	R830	1-216-837-11	METAL CHIP	22K 5% 1/10W
R464	1-216-829-11	METAL CHIP	4.7K 5% 1/10W	R831	1-216-817-11	METAL CHIP	470 5% 1/10W
R470	1-216-825-11	METAL CHIP	2.2K 5% 1/10W	R832	1-216-815-11	METAL CHIP	330 5% 1/10W
R471	1-216-825-11	METAL CHIP	2.2K 5% 1/10W	R833	1-216-817-11	METAL CHIP	470 5% 1/10W
R472	1-216-819-11	METAL CHIP	680 5% 1/10W	R834	1-216-815-11	METAL CHIP	330 5% 1/10W
R477	1-216-829-11	METAL CHIP	4.7K 5% 1/10W	R835	1-216-817-11	METAL CHIP	470 5% 1/10W
R478	1-216-813-11	METAL CHIP	220 5% 1/10W	R836	1-216-815-11	METAL CHIP	330 5% 1/10W
R479	1-216-864-11	SHORT CHIP	0	R837	1-216-817-11	METAL CHIP	470 5% 1/10W
R480	1-216-804-11	METAL CHIP	39 5% 1/10W	R838	1-216-815-11	METAL CHIP	330 5% 1/10W
R481	1-216-845-11	METAL CHIP	100K 5% 1/10W	R839	1-216-817-11	METAL CHIP	470 5% 1/10W
R482	1-216-833-11	METAL CHIP	10K 5% 1/10W	R840	1-216-815-11	METAL CHIP	330 5% 1/10W
R487	1-216-864-11	SHORT CHIP	0	R841	1-216-841-11	METAL CHIP	47K 5% 1/10W
R488	1-216-845-11	METAL CHIP	100K 5% 1/10W	R851	1-216-821-11	METAL CHIP	1K 5% 1/10W
R492	1-216-864-11	SHORT CHIP	0	R852	1-216-825-11	METAL CHIP	2.2K 5% 1/10W
R495	1-216-864-11	SHORT CHIP	0	R853	1-216-825-11	METAL CHIP	2.2K 5% 1/10W
		< SWITCH >		R854	1-216-825-11	METAL CHIP	2.2K 5% 1/10W
				R855	1-216-821-11	METAL CHIP	1K 5% 1/10W
S800	1-418-725-51	ENCODER, ROTARY (12 TYPE)	(- ← + VOLUME)	R856	1-216-825-11	METAL CHIP	2.2K 5% 1/10W
				R857	1-216-825-11	METAL CHIP	2.2K 5% 1/10W
						< SWITCH >	
	A-1148-823-A	LED BOARD, COMPLETE		S802	1-762-875-21	SWITCH, KEYBOARD (FUNCTION)	
		*****		S803	1-762-875-21	SWITCH, KEYBOARD (◀◀)	
		< CAPACITOR >		S804	1-762-875-21	SWITCH, KEYBOARD (▣)	
C849	1-164-360-11	CERAMIC CHIP	0.1uF 16V	S805	1-762-875-21	SWITCH, KEYBOARD (■)	
		< DIODE >		S806	1-762-875-21	SWITCH, KEYBOARD (▶▶)	
D811	8-719-056-13	DIODE	SML79423C-TP15 (DISC 1)	S807	1-762-875-21	SWITCH, KEYBOARD (⊕)	
D812	8-719-056-13	DIODE	SML79423C-TP15 (DISC 2)	S808	1-762-875-21	SWITCH, KEYBOARD (▷)	
D813	8-719-056-13	DIODE	SML79423C-TP15 (DISC 3)	S809	1-762-875-21	SWITCH, KEYBOARD (DISC 5)	
D814	8-719-056-13	DIODE	SML79423C-TP15 (DISC 4)	S810	1-762-875-21	SWITCH, KEYBOARD (DISC 4)	
D815	8-719-056-13	DIODE	SML79423C-TP15 (DISC 5)	S811	1-762-875-21	SWITCH, KEYBOARD (DISC 3)	
		< IC >		S812	1-762-875-21	SWITCH, KEYBOARD (DISC 2)	
IC803	6-704-046-01	IC	BU2099FV	S813	1-762-875-21	SWITCH, KEYBOARD (DISC 1)	

# HCD-DX155/DX255

Ver. 1.2

MAIN

Ref. No.	Part No.	Description	Remark
☆	A-1151-985-A	MAIN BOARD, COMPLETE (DX155: US, CND)	
☆	A-1152-007-A	MAIN BOARD, COMPLETE (DX155: SP)	
☆	A-1152-028-A	MAIN BOARD, COMPLETE (DX255)	
☆	A-1171-566-A	MAIN BOARD, COMPLETE (DX155: E3)	
☆	A-1172-050-A	MAIN BOARD, COMPLETE (DX155: AUS)	
☆	A-1172-052-A	MAIN BOARD, COMPLETE (DX155: MX)	
*****			
< CAPACITOR >			
C501	1-162-970-11	CERAMIC CHIP 0.01uF	10% 25V
C503	1-162-970-11	CERAMIC CHIP 0.01uF	10% 25V
C504	1-126-947-11	ELECT 47uF	20% 16V
C505	1-126-947-11	ELECT 47uF	20% 16V
C506	1-107-826-11	CERAMIC CHIP 0.1uF	10% 16V
C507	1-107-826-11	CERAMIC CHIP 0.1uF	10% 16V
C508	1-162-964-11	CERAMIC CHIP 0.001uF	10% 50V
C509	1-162-964-11	CERAMIC CHIP 0.001uF	10% 50V
C510	1-107-826-11	CERAMIC CHIP 0.1uF	10% 16V
C511	1-165-908-11	CERAMIC CHIP 1uF	10% 10V
C512	1-107-826-11	CERAMIC CHIP 0.1uF	10% 16V
C513	1-165-908-11	CERAMIC CHIP 1uF	10% 10V
C514	1-107-826-11	CERAMIC CHIP 0.1uF	10% 16V
C515	1-107-826-11	CERAMIC CHIP 0.1uF	10% 16V
C516	1-162-964-11	CERAMIC CHIP 0.001uF	10% 50V
C517	1-162-964-11	CERAMIC CHIP 0.001uF	10% 50V
C525	1-107-826-11	CERAMIC CHIP 0.1uF	10% 16V
C570	1-107-826-11	CERAMIC CHIP 0.1uF	10% 16V
C571	1-107-826-11	CERAMIC CHIP 0.1uF	10% 16V
C572	1-107-826-11	CERAMIC CHIP 0.1uF	10% 16V
C580	1-104-656-11	ELECT 2200uF	20% 6.3V
C582	1-104-658-91	ELECT 100uF	20% 10V
C583	1-127-715-91	CERAMIC CHIP 0.22uF	10% 16V
C587	1-127-715-91	CERAMIC CHIP 0.22uF	10% 16V
C589	1-107-826-11	CERAMIC CHIP 0.1uF	10% 16V
C594	1-107-826-11	CERAMIC CHIP 0.1uF	10% 16V
C598	1-127-573-11	CERAMIC CHIP 1uF	10% 16V
C601	1-126-947-11	ELECT 47uF	20% 16V
C602	1-107-826-11	CERAMIC CHIP 0.1uF	10% 16V
C603	1-104-658-91	ELECT 100uF	20% 10V
C606	1-107-826-11	CERAMIC CHIP 0.1uF	10% 16V
C712	1-107-826-11	CERAMIC CHIP 0.1uF	10% 16V
C716	1-107-826-11	CERAMIC CHIP 0.1uF	10% 16V
C762	1-107-826-11	CERAMIC CHIP 0.1uF	10% 16V
C798	1-107-826-11	CERAMIC CHIP 0.1uF	10% 16V
C799	1-107-826-11	CERAMIC CHIP 0.1uF	10% 16V
C855	1-107-826-11	CERAMIC CHIP 0.1uF	10% 16V
C856	1-107-826-11	CERAMIC CHIP 0.1uF	10% 16V
C875	1-162-970-11	CERAMIC CHIP 0.01uF	10% 25V
C1101	1-162-970-11	CERAMIC CHIP 0.01uF	10% 25V
C1102	1-165-908-11	CERAMIC CHIP 1uF	10% 10V
C1105	1-126-947-11	ELECT 47uF	20% 16V
C1106	1-162-970-11	CERAMIC CHIP 0.01uF	10% 25V
C1109	1-162-964-11	CERAMIC CHIP 0.001uF	10% 50V
C1110	1-162-970-11	CERAMIC CHIP 0.01uF	10% 25V
C1112	1-126-947-11	ELECT 47uF	20% 16V
C1113	1-162-970-11	CERAMIC CHIP 0.01uF	10% 25V
C1114	1-107-826-11	CERAMIC CHIP 0.1uF	10% 16V
C1115	1-107-826-11	CERAMIC CHIP 0.1uF	10% 16V
C1116	1-107-826-11	CERAMIC CHIP 0.1uF	10% 16V

Ref. No.	Part No.	Description	Remark
C1117	1-126-964-11	ELECT 10uF	20% 50V
C1118	1-126-964-11	ELECT 10uF	20% 50V
C1119	1-126-964-11	ELECT 10uF	20% 50V
C1120	1-165-908-11	CERAMIC CHIP 1uF	10% 10V
C1121	1-165-908-11	CERAMIC CHIP 1uF	10% 10V
C1122	1-165-908-11	CERAMIC CHIP 1uF	10% 10V
C1123	1-165-908-11	CERAMIC CHIP 1uF	10% 10V
C1124	1-165-908-11	CERAMIC CHIP 1uF	10% 10V
C1125	1-107-826-11	CERAMIC CHIP 0.1uF	10% 16V
C1126	1-107-826-11	CERAMIC CHIP 0.1uF	10% 16V
C1127	1-162-970-11	CERAMIC CHIP 0.01uF	10% 25V
C1128	1-162-965-11	CERAMIC CHIP 0.0015uF	10% 50V
C1130	1-107-826-11	CERAMIC CHIP 0.1uF	10% 16V
C1131	1-125-838-11	CERAMIC CHIP 2.2uF	10% 6.3V
C1132	1-107-826-11	CERAMIC CHIP 0.1uF	10% 16V
C1133	1-107-826-11	CERAMIC CHIP 0.1uF	10% 16V
C1135	1-164-677-11	CERAMIC CHIP 0.033uF	10% 16V
C1136	1-162-970-11	CERAMIC CHIP 0.01uF	10% 25V
C1137	1-107-826-11	CERAMIC CHIP 0.1uF	10% 16V
C1138	1-162-964-11	CERAMIC CHIP 0.001uF	10% 50V
C1139	1-162-919-11	CERAMIC CHIP 22PF	5% 50V
C1140	1-107-826-11	CERAMIC CHIP 0.1uF	10% 16V
C1144	1-162-970-11	CERAMIC CHIP 0.01uF	10% 25V
C1146	1-107-826-11	CERAMIC CHIP 0.1uF	10% 16V
C1147	1-165-176-11	CERAMIC CHIP 0.047uF	10% 16V
C1148	1-165-176-11	CERAMIC CHIP 0.047uF	10% 16V
C1149	1-107-826-11	CERAMIC CHIP 0.1uF	10% 16V
C1150	1-126-964-11	ELECT 10uF	20% 50V
C1151	1-115-416-11	CERAMIC CHIP 0.001uF	5% 25V
C1152	1-162-915-11	CERAMIC CHIP 10PF	0.5PF 50V
C1153	1-162-917-11	CERAMIC CHIP 15PF	5% 50V
C1154	1-107-826-11	CERAMIC CHIP 0.1uF	10% 16V
C1155	1-162-970-11	CERAMIC CHIP 0.01uF	10% 25V
C1156	1-162-970-11	CERAMIC CHIP 0.01uF	10% 25V
C1158	1-162-970-11	CERAMIC CHIP 0.01uF	10% 25V
C1159	1-162-970-11	CERAMIC CHIP 0.01uF	10% 25V
C1160	1-162-970-11	CERAMIC CHIP 0.01uF	10% 25V
C1161	1-162-970-11	CERAMIC CHIP 0.01uF	10% 25V
C1162	1-162-970-11	CERAMIC CHIP 0.01uF	10% 25V
C1163	1-162-970-11	CERAMIC CHIP 0.01uF	10% 25V
C1164	1-162-970-11	CERAMIC CHIP 0.01uF	10% 25V
C1167	1-162-970-11	CERAMIC CHIP 0.01uF	10% 25V
C1170	1-162-970-11	CERAMIC CHIP 0.01uF	10% 25V
C1171	1-162-970-11	CERAMIC CHIP 0.01uF	10% 25V
C1172	1-162-970-11	CERAMIC CHIP 0.01uF	10% 25V
C1173	1-162-970-11	CERAMIC CHIP 0.01uF	10% 25V
C1174	1-162-970-11	CERAMIC CHIP 0.01uF	10% 25V
C1175	1-162-970-11	CERAMIC CHIP 0.01uF	10% 25V
C1176	1-162-970-11	CERAMIC CHIP 0.01uF	10% 25V
C1177	1-126-947-11	ELECT 47uF	20% 16V
C1178	1-126-947-11	ELECT 47uF	20% 16V
C1179	1-107-826-11	CERAMIC CHIP 0.1uF	10% 16V
C1180	1-107-826-11	CERAMIC CHIP 0.1uF	10% 16V
C1181	1-107-826-11	CERAMIC CHIP 0.1uF	10% 16V
C1182	1-127-715-91	CERAMIC CHIP 0.22uF	10% 16V
C1184	1-162-970-11	CERAMIC CHIP 0.01uF	10% 25V
C1186	1-127-715-91	CERAMIC CHIP 0.22uF	10% 16V

☆ New part of EEPROM (IC1103) on the MAIN board cannot be used. Therefore, if the mounted MAIN board (A-1151-985-A, etc.) is replaced, exchange new EEPROM (IC1103) with that used before the replacement.

Ref. No.	Part No.	Description			Remark	Ref. No.	Part No.	Description			Remark
C1187	1-126-947-11	ELECT	47uF	20%	16V						
C1188	1-128-934-91	CERAMIC CHIP	0.33uF	20%	10V	C3025	1-164-156-11	CERAMIC CHIP	0.1uF		25V
C1190	1-126-947-11	ELECT	47uF	20%	16V	C3026	1-164-156-11	CERAMIC CHIP	0.1uF		25V
						C3027	1-164-156-11	CERAMIC CHIP	0.1uF		25V
C1191	1-107-826-11	CERAMIC CHIP	0.1uF	10%	16V	C3028	1-164-156-11	CERAMIC CHIP	0.1uF		25V
C1192	1-162-970-11	CERAMIC CHIP	0.01uF	10%	25V	C3029	1-164-156-11	CERAMIC CHIP	0.1uF		25V
C1193	1-127-715-91	CERAMIC CHIP	0.22uF	10%	16V						
C1195	1-127-715-91	CERAMIC CHIP	0.22uF	10%	16V	C3030	1-164-156-11	CERAMIC CHIP	0.1uF		25V
C1197	1-107-826-11	CERAMIC CHIP	0.1uF	10%	16V	C3031	1-126-947-11	ELECT	47uF	20%	16V
						C3032	1-164-156-11	CERAMIC CHIP	0.1uF		25V
C1199	1-162-968-11	CERAMIC CHIP	0.0047uF	10%	50V	C3033	1-164-156-11	CERAMIC CHIP	0.1uF		25V
C1203	1-162-970-11	CERAMIC CHIP	0.01uF	10%	25V	C3034	1-164-156-11	CERAMIC CHIP	0.1uF		25V
C1205	1-164-230-11	CERAMIC CHIP	220PF	5%	50V						
C1206	1-164-230-11	CERAMIC CHIP	220PF	5%	50V	C3035	1-164-156-11	CERAMIC CHIP	0.1uF		25V
C1208	1-162-970-11	CERAMIC CHIP	0.01uF	10%	25V	C3036	1-164-156-11	CERAMIC CHIP	0.1uF		25V
						C3037	1-164-156-11	CERAMIC CHIP	0.1uF		25V
C1209	1-164-677-11	CERAMIC CHIP	0.033uF	10%	16V	C3038	1-164-156-11	CERAMIC CHIP	0.1uF		25V
C1210	1-162-970-11	CERAMIC CHIP	0.01uF	10%	25V	C3039	1-164-156-11	CERAMIC CHIP	0.1uF		25V
C1211	1-164-677-11	CERAMIC CHIP	0.033uF	10%	16V						
C1212	1-162-970-11	CERAMIC CHIP	0.01uF	10%	25V	C3040	1-164-156-11	CERAMIC CHIP	0.1uF		25V
C1213	1-162-970-11	CERAMIC CHIP	0.01uF	10%	25V	C3051	1-115-339-11	CERAMIC CHIP	0.1uF	10%	50V
						C3052	1-165-908-11	CERAMIC CHIP	1uF	10%	10V
C1214	1-162-964-11	CERAMIC CHIP	0.001uF	10%	50V	C3053	1-162-964-11	CERAMIC CHIP	0.001uF	10%	50V
C1215	1-162-970-11	CERAMIC CHIP	0.01uF	10%	25V	C3054	1-126-933-11	ELECT	100uF	20%	16V
C1217	1-126-947-11	ELECT	47uF	20%	16V						
C1218	1-126-964-11	ELECT	10uF	20%	50V	C3055	1-162-970-11	CERAMIC CHIP	0.01uF	10%	25V
C1219	1-162-970-11	CERAMIC CHIP	0.01uF	10%	25V	C3056	1-126-923-91	ELECT	220uF	20%	10V
						C3057	1-162-970-11	CERAMIC CHIP	0.01uF	10%	25V
C1220	1-126-964-11	ELECT	10uF	20%	50V	C3058	1-162-910-11	CERAMIC CHIP	5PF	0.25PF	50V
C1221	1-107-826-11	CERAMIC CHIP	0.1uF	10%	16V	C3059	1-162-964-11	CERAMIC CHIP	0.001uF	10%	50V
C1222	1-107-826-11	CERAMIC CHIP	0.1uF	10%	16V						
C1224	1-162-970-11	CERAMIC CHIP	0.01uF	10%	25V	C3060	1-162-915-11	CERAMIC CHIP	10PF	0.5PF	50V
C1228	1-162-968-11	CERAMIC CHIP	0.0047uF	10%	50V	C3067	1-162-927-11	CERAMIC CHIP	100PF	5%	50V
						C3068	1-162-927-11	CERAMIC CHIP	100PF	5%	50V
C2200	1-126-964-11	ELECT	10uF	20%	50V	C3069	1-162-927-11	CERAMIC CHIP	100PF	5%	50V
C2201	1-162-970-11	CERAMIC CHIP	0.01uF	10%	25V	C3070	1-162-964-11	CERAMIC CHIP	0.001uF	10%	50V
C2202	1-162-970-11	CERAMIC CHIP	0.01uF	10%	25V						
C2204	1-107-826-11	CERAMIC CHIP	0.1uF	10%	16V	C3071	1-164-156-11	CERAMIC CHIP	0.1uF		25V
C2205	1-107-826-11	CERAMIC CHIP	0.1uF	10%	16V	C3072	1-107-826-11	CERAMIC CHIP	0.1uF	10%	16V
						C3073	1-107-826-11	CERAMIC CHIP	0.1uF	10%	16V
C2206	1-216-864-11	SHORT CHIP	0			C3075	1-162-968-11	CERAMIC CHIP	0.0047uF	10%	50V
C2207	1-126-947-11	ELECT	47uF	20%	16V	C3081	1-126-925-91	ELECT	470uF	20%	10V
C2208	1-107-826-11	CERAMIC CHIP	0.1uF	10%	16V						
C2209	1-126-964-11	ELECT	10uF	20%	50V	C3082	1-126-925-91	ELECT	470uF	20%	10V
C2210	1-126-964-11	ELECT	10uF	20%	50V	C3083	1-162-927-11	CERAMIC CHIP	100PF	5%	50V
						C3084	1-162-927-11	CERAMIC CHIP	100PF	5%	50V
C2211	1-107-826-11	CERAMIC CHIP	0.1uF	10%	16V	C3085	1-162-927-11	CERAMIC CHIP	100PF	5%	50V
C2212	1-107-826-11	CERAMIC CHIP	0.1uF	10%	16V	C3086	1-162-927-11	CERAMIC CHIP	100PF	5%	50V
C2213	1-162-964-11	CERAMIC CHIP	0.001uF	10%	50V						
C3000	1-126-933-11	ELECT	100uF	20%	16V	C3087	1-162-927-11	CERAMIC CHIP	100PF	5%	50V
C3001	1-126-947-11	ELECT	47uF	20%	16V	C3088	1-162-927-11	CERAMIC CHIP	100PF	5%	50V
						C3089	1-164-156-11	CERAMIC CHIP	0.1uF		25V
C3002	1-115-339-11	CERAMIC CHIP	0.1uF	10%	50V	C3090	1-104-658-91	ELECT	100uF	20%	10V
C3011	1-126-947-11	ELECT	47uF	20%	16V	C3091	1-126-934-11	ELECT	220uF	20%	16V
C3012	1-164-156-11	CERAMIC CHIP	0.1uF		25V						
C3013	1-164-156-11	CERAMIC CHIP	0.1uF		25V	C3092	1-164-156-11	CERAMIC CHIP	0.1uF		25V
C3014	1-164-156-11	CERAMIC CHIP	0.1uF		25V	C3094	1-162-927-11	CERAMIC CHIP	100PF	5%	50V
						C3095	1-162-964-11	CERAMIC CHIP	0.001uF	10%	50V
C3015	1-164-156-11	CERAMIC CHIP	0.1uF		25V	C3100	1-104-329-11	CERAMIC CHIP	0.1uF	10%	50V
C3016	1-164-156-11	CERAMIC CHIP	0.1uF		25V	C3103	1-107-725-11	CERAMIC CHIP	0.1uF	10%	16V
C3017	1-164-156-11	CERAMIC CHIP	0.1uF		25V						
C3018	1-164-156-11	CERAMIC CHIP	0.1uF		25V	C3104	1-164-156-11	CERAMIC CHIP	0.1uF		25V
C3019	1-164-156-11	CERAMIC CHIP	0.1uF		25V	C3105	1-107-725-11	CERAMIC CHIP	0.1uF	10%	16V
						C3106	1-115-185-11	CERAMIC CHIP	0.033uF	10%	50V
C3020	1-164-156-11	CERAMIC CHIP	0.1uF		25V	C3107	1-115-185-11	CERAMIC CHIP	0.033uF	10%	50V
C3021	1-126-947-11	ELECT	47uF	20%	16V	C3108	1-104-329-11	CERAMIC CHIP	0.1uF	10%	50V
C3022	1-164-156-11	CERAMIC CHIP	0.1uF		25V						
C3023	1-164-156-11	CERAMIC CHIP	0.1uF		25V	C3109	1-112-246-11	ELECT	100uF	20%	35V
C3024	1-164-156-11	CERAMIC CHIP	0.1uF		25V	C3112	1-112-246-11	ELECT	100uF	20%	35V

# HCD-DX155/DX255

## MAIN

Ref. No.	Part No.	Description	Remark	Ref. No.	Part No.	Description	Remark
C3113	1-104-329-11	CERAMIC CHIP	0.1uF 10% 50V	C3259	1-112-246-11	ELECT	100uF 20% 35V
C3114	1-136-177-00	FILM	1uF 5% 50V	C3262	1-112-246-11	ELECT	100uF 20% 35V
C3115	1-136-177-00	FILM	1uF 5% 50V	C3263	1-104-329-11	CERAMIC CHIP	0.1uF 10% 50V
C3116	1-112-831-11	ELECT	2200uF 20% 35V	C3264	1-136-177-00	FILM	1uF 5% 50V
C3117	1-162-966-11	CERAMIC CHIP	0.0022uF 10% 50V	C3265	1-136-177-00	FILM	1uF 5% 50V
C3118	1-162-966-11	CERAMIC CHIP	0.0022uF 10% 50V	C3266	1-112-831-11	ELECT	2200uF 20% 35V
C3119	1-162-966-11	CERAMIC CHIP	0.0022uF 10% 50V	C3267	1-162-966-11	CERAMIC CHIP	0.0022uF 10% 50V
C3120	1-162-966-11	CERAMIC CHIP	0.0022uF 10% 50V	C3268	1-162-966-11	CERAMIC CHIP	0.0022uF 10% 50V
C3121	1-164-505-11	CERAMIC CHIP	2.2uF 16V	C3269	1-162-966-11	CERAMIC CHIP	0.0022uF 10% 50V
C3122	1-162-964-11	CERAMIC CHIP	0.001uF 10% 50V	C3270	1-162-966-11	CERAMIC CHIP	0.0022uF 10% 50V
C3123	1-162-964-11	CERAMIC CHIP	0.001uF 10% 50V	C3271	1-164-505-11	CERAMIC CHIP	2.2uF 16V
C3150	1-104-329-11	CERAMIC CHIP	0.1uF 10% 50V	C3272	1-162-964-11	CERAMIC CHIP	0.001uF 10% 50V
C3153	1-107-725-11	CERAMIC CHIP	0.1uF 10% 16V	C3273	1-162-964-11	CERAMIC CHIP	0.001uF 10% 50V
C3154	1-164-156-11	CERAMIC CHIP	0.1uF 25V	C3300	1-104-329-11	CERAMIC CHIP	0.1uF 10% 50V
C3155	1-107-725-11	CERAMIC CHIP	0.1uF 10% 16V	C3303	1-107-725-11	CERAMIC CHIP	0.1uF 10% 16V
C3156	1-115-185-11	CERAMIC CHIP	0.033uF 10% 50V	C3304	1-164-156-11	CERAMIC CHIP	0.1uF 25V
C3157	1-115-185-11	CERAMIC CHIP	0.033uF 10% 50V	C3305	1-107-725-11	CERAMIC CHIP	0.1uF 10% 16V
C3158	1-104-329-11	CERAMIC CHIP	0.1uF 10% 50V	C3306	1-115-185-11	CERAMIC CHIP	0.033uF 10% 50V
C3159	1-112-246-11	ELECT	100uF 20% 35V	C3307	1-115-185-11	CERAMIC CHIP	0.033uF 10% 50V
C3162	1-112-246-11	ELECT	100uF 20% 35V	C3308	1-104-329-11	CERAMIC CHIP	0.1uF 10% 50V
C3163	1-104-329-11	CERAMIC CHIP	0.1uF 10% 50V	C3309	1-112-246-11	ELECT	100uF 20% 35V
C3164	1-136-177-00	FILM	1uF 5% 50V	C3312	1-112-246-11	ELECT	100uF 20% 35V
C3165	1-136-177-00	FILM	1uF 5% 50V	C3313	1-104-329-11	CERAMIC CHIP	0.1uF 10% 50V
C3166	1-112-831-11	ELECT	2200uF 20% 35V	C3314	1-136-177-00	FILM	1uF 5% 50V
C3167	1-162-966-11	CERAMIC CHIP	0.0022uF 10% 50V	C3315	1-136-177-00	FILM	1uF 5% 50V
C3168	1-162-966-11	CERAMIC CHIP	0.0022uF 10% 50V	C3316	1-112-831-11	ELECT	2200uF 20% 35V
C3169	1-162-966-11	CERAMIC CHIP	0.0022uF 10% 50V	C3317	1-162-966-11	CERAMIC CHIP	0.0022uF 10% 50V
C3170	1-162-966-11	CERAMIC CHIP	0.0022uF 10% 50V	C3318	1-162-966-11	CERAMIC CHIP	0.0022uF 10% 50V
C3171	1-164-505-11	CERAMIC CHIP	2.2uF 16V	C3319	1-162-966-11	CERAMIC CHIP	0.0022uF 10% 50V
C3172	1-162-964-11	CERAMIC CHIP	0.001uF 10% 50V	C3320	1-162-966-11	CERAMIC CHIP	0.0022uF 10% 50V
C3173	1-162-964-11	CERAMIC CHIP	0.001uF 10% 50V	C3321	1-164-505-11	CERAMIC CHIP	2.2uF 16V
C3200	1-104-329-11	CERAMIC CHIP	0.1uF 10% 50V	C3322	1-162-964-11	CERAMIC CHIP	0.001uF 10% 50V
C3203	1-107-725-11	CERAMIC CHIP	0.1uF 10% 16V	C3323	1-162-964-11	CERAMIC CHIP	0.001uF 10% 50V
C3204	1-164-156-11	CERAMIC CHIP	0.1uF 25V	C3400	1-104-329-11	CERAMIC CHIP	0.1uF 10% 50V
C3205	1-107-725-11	CERAMIC CHIP	0.1uF 10% 16V	C3403	1-107-725-11	CERAMIC CHIP	0.1uF 10% 16V
C3206	1-115-185-11	CERAMIC CHIP	0.033uF 10% 50V	C3404	1-164-156-11	CERAMIC CHIP	0.1uF 25V
C3207	1-115-185-11	CERAMIC CHIP	0.033uF 10% 50V	C3405	1-107-725-11	CERAMIC CHIP	0.1uF 10% 16V
C3208	1-104-329-11	CERAMIC CHIP	0.1uF 10% 50V	C3406	1-115-185-11	CERAMIC CHIP	0.033uF 10% 50V
C3209	1-112-246-11	ELECT	100uF 20% 35V	C3407	1-115-185-11	CERAMIC CHIP	0.033uF 10% 50V
C3212	1-112-246-11	ELECT	100uF 20% 35V	C3408	1-104-329-11	CERAMIC CHIP	0.1uF 10% 50V
C3213	1-104-329-11	CERAMIC CHIP	0.1uF 10% 50V	C3409	1-112-246-11	ELECT	100uF 20% 35V
C3214	1-136-177-00	FILM	1uF 5% 50V	C3412	1-112-246-11	ELECT	100uF 20% 35V
C3215	1-136-177-00	FILM	1uF 5% 50V	C3413	1-104-329-11	CERAMIC CHIP	0.1uF 10% 50V
C3216	1-112-831-11	ELECT	2200uF 20% 35V	C3414	1-136-177-00	FILM	1uF 5% 50V
C3217	1-162-966-11	CERAMIC CHIP	0.0022uF 10% 50V	C3415	1-136-177-00	FILM	1uF 5% 50V
C3218	1-162-966-11	CERAMIC CHIP	0.0022uF 10% 50V	C3416	1-112-831-11	ELECT	2200uF 20% 35V
C3219	1-162-966-11	CERAMIC CHIP	0.0022uF 10% 50V	C3417	1-162-966-11	CERAMIC CHIP	0.0022uF 10% 50V
C3220	1-162-966-11	CERAMIC CHIP	0.0022uF 10% 50V	C3418	1-162-966-11	CERAMIC CHIP	0.0022uF 10% 50V
C3221	1-164-505-11	CERAMIC CHIP	2.2uF 16V	C3419	1-162-966-11	CERAMIC CHIP	0.0022uF 10% 50V
C3222	1-162-964-11	CERAMIC CHIP	0.001uF 10% 50V	C3420	1-162-966-11	CERAMIC CHIP	0.0022uF 10% 50V
C3223	1-162-964-11	CERAMIC CHIP	0.001uF 10% 50V	C3421	1-117-370-11	CERAMIC CHIP	10uF 10V
C3250	1-104-329-11	CERAMIC CHIP	0.1uF 10% 50V	C3422	1-162-964-11	CERAMIC CHIP	0.001uF 10% 50V
C3253	1-107-725-11	CERAMIC CHIP	0.1uF 10% 16V	C3423	1-162-964-11	CERAMIC CHIP	0.001uF 10% 50V
C3254	1-164-156-11	CERAMIC CHIP	0.1uF 25V	C3500	1-104-329-11	CERAMIC CHIP	0.1uF 10% 50V
C3255	1-107-725-11	CERAMIC CHIP	0.1uF 10% 16V				(DX255)
C3256	1-115-185-11	CERAMIC CHIP	0.033uF 10% 50V	C3503	1-107-725-11	CERAMIC CHIP	0.1uF 10% 16V
C3257	1-115-185-11	CERAMIC CHIP	0.033uF 10% 50V				(DX255)
C3258	1-104-329-11	CERAMIC CHIP	0.1uF 10% 50V				



Ref. No.	Part No.	Description	Remark	Ref. No.	Part No.	Description	Remark	
C3504	1-164-156-11	CERAMIC CHIP	0.1uF	25V	D3201	6-500-885-01	DIODE P6SMBJ33A-5	
				(DX255)	D3202	6-500-885-01	DIODE P6SMBJ33A-5	
C3505	1-107-725-11	CERAMIC CHIP	0.1uF	10%	16V	D3251	6-500-885-01	DIODE P6SMBJ33A-5
					(DX255)	D3252	6-500-885-01	DIODE P6SMBJ33A-5
C3506	1-115-185-11	CERAMIC CHIP	0.033uF	10%	50V	D3301	6-500-885-01	DIODE P6SMBJ33A-5
					(DX255)	D3302	6-500-885-01	DIODE P6SMBJ33A-5
C3507	1-115-185-11	CERAMIC CHIP	0.033uF	10%	50V	D3401	6-500-885-01	DIODE P6SMBJ33A-5
					(DX255)	D3402	6-500-885-01	DIODE P6SMBJ33A-5
C3508	1-104-329-11	CERAMIC CHIP	0.1uF	10%	50V	D3501	6-500-885-01	DIODE P6SMBJ33A-5 (DX255)
					(DX255)			
C3509	1-112-246-11	ELECT	100uF	20%	35V	D3502	6-500-885-01	DIODE P6SMBJ33A-5 (DX255)
					(DX255)	D3551	6-501-193-01	DIODE 1SS355WTE-17
C3512	1-112-246-11	ELECT	100uF	20%	35V	D3552	6-501-193-01	DIODE 1SS355WTE-17
					(DX255)			
C3513	1-104-329-11	CERAMIC CHIP	0.1uF	10%	50V			< GROUND TERMINAL BOARD >
					(DX255)			
C3514	1-136-177-00	FILM	1uF	5%	50V	EB903	1-537-770-21	TERMINAL BOARD, GROUND
					(DX255)	EB1001	1-537-770-21	TERMINAL BOARD, GROUND
C3515	1-136-177-00	FILM	1uF	5%	50V	EB1002	1-537-770-21	TERMINAL BOARD, GROUND
					(DX255)	EB1003	1-537-770-21	TERMINAL BOARD, GROUND
						EB1004	1-537-770-21	TERMINAL BOARD, GROUND
C3516	1-112-831-11	ELECT	2200uF	20%	35V			
					(DX255)			
C3517	1-162-966-11	CERAMIC CHIP	0.0022uF	10%	50V	EB3001	1-537-770-21	TERMINAL BOARD, GROUND
					(DX255)	EB3002	1-537-770-21	TERMINAL BOARD, GROUND
C3518	1-162-966-11	CERAMIC CHIP	0.0022uF	10%	50V	EB3003	1-537-770-21	TERMINAL BOARD, GROUND
					(DX255)	EB3004	1-537-770-21	TERMINAL BOARD, GROUND
C3519	1-162-966-11	CERAMIC CHIP	0.0022uF	10%	50V	EB3005	1-537-770-21	TERMINAL BOARD, GROUND
					(DX255)			< FERRITE BEAD >
C3520	1-162-966-11	CERAMIC CHIP	0.0022uF	10%	50V			
					(DX255)			
C3551	1-126-960-11	ELECT	1uF	20%	50V	FB500	1-469-324-21	FERRITE, EMI (SMD) (2012)
C3552	1-126-964-11	ELECT	10uF	20%	50V	FB501	1-469-324-21	FERRITE, EMI (SMD) (2012)
C3555	1-163-038-91	CERAMIC CHIP	0.1uF		25V	FB502	1-469-324-21	FERRITE, EMI (SMD) (2012)
						FB503	1-469-324-21	FERRITE, EMI (SMD) (2012)
						FB504	1-469-324-21	FERRITE, EMI (SMD) (2012)
						FB505	1-469-324-21	FERRITE, EMI (SMD) (2012)
						FB506	1-469-324-21	FERRITE, EMI (SMD) (2012)
						FB507	1-469-324-21	FERRITE, EMI (SMD) (2012)
						FB508	1-469-324-21	FERRITE, EMI (SMD) (2012)
						FB509	1-469-324-21	FERRITE, EMI (SMD) (2012)
						FB1106	1-414-226-21	INDUCTOR, FERRITE BEAD
						FB1108	1-414-226-21	INDUCTOR, FERRITE BEAD
						FB1111	1-414-226-21	INDUCTOR, FERRITE BEAD
						FB3051	1-216-295-91	SHORT CHIP 0
								< FLUORESCENT INDICATOR >
						FL501	1-234-177-21	FILTER, CHIP EMI
						FL502	1-234-177-21	FILTER, CHIP EMI
						FL503	1-233-893-21	FILTER, CHIP EMI
						FL1101	1-234-177-21	FILTER, CHIP EMI
						FL1104	1-234-177-21	FILTER, CHIP EMI
						FL1105	1-234-177-21	FILTER, CHIP EMI
						FL1106	1-234-177-21	FILTER, CHIP EMI
						FL1107	1-234-177-21	FILTER, CHIP EMI
						FL1108	1-234-177-21	FILTER, CHIP EMI
								< IC >
						IC501	6-806-094-01	IC M30622MEP-A61FPU0
						IC502	6-702-302-01	IC TK11133CSCL-G
						IC504	6-707-095-01	IC BH2210FV-E2
						IC505	6-707-095-01	IC BH2210FV-E2
D503	6-501-193-01	DIODE	1SS355WTE-17					
D504	6-501-193-01	DIODE	1SS355WTE-17					
D505	6-501-193-01	DIODE	1SS355WTE-17					
D2001	8-719-058-24	DIODE	RB501V-40TE-17					
D3071	6-501-193-01	DIODE	1SS355WTE-17					
D3072	6-501-193-01	DIODE	1SS355WTE-17					
D3073	6-501-193-01	DIODE	1SS355WTE-17					
D3111	6-500-885-01	DIODE	P6SMBJ33A-5					
D3112	6-500-885-01	DIODE	P6SMBJ33A-5					
D3151	6-500-885-01	DIODE	P6SMBJ33A-5					
D3152	6-500-885-01	DIODE	P6SMBJ33A-5					

# HCD-DX155/DX255

Ver. 1.2

MAIN

Ref. No.	Part No.	Description	Remark
IC511	6-708-922-01	IC PST3635NR	
IC516	6-703-547-01	IC TA7805LS	
IC1101	6-707-535-01	IC CXD9849R	
IC1102	6-806-742-01	IC MX29LV320CBTC70-CBA1-0603CE (DX155: E3, AUS)	
IC1102	6-806-743-01	IC MX29LV320CBTC70-CBA1-0603GA (DX155: SP)	
IC1102	6-806-741-01	IC MX29LV320CBTC70-CBA1-0603UC (DX155: US, CND, MX/DX255)	
☆ IC1103	not supplied	IC BR24L64F-WE2	
IC1104	6-709-370-01	IC A2V64540CTP-G75	
IC1105	6-702-302-01	IC TK11133CSCL-G	
IC1107	6-702-302-01	IC TK11133CSCL-G	
IC1109	6-707-485-01	IC NJM2885DL1-18 (TE2)	
IC1201	6-704-524-01	IC FAN8036L	
IC2200	6-707-608-01	IC PCM1803DBR	
IC3001	8-759-710-97	IC NJM4565M (TE2)	
IC3003	8-759-680-48	IC TC7WH157FK (TE85R)	
IC3010	6-705-979-01	IC CXD9788AR	
IC3020	6-705-979-01	IC CXD9788AR	
IC3030	6-705-979-01	IC CXD9788AR	
IC3050	6-702-300-01	IC TK11118CSCL-G	
IC3051	8-759-649-50	IC SN74AHC1GU04DCKR	
IC3100	6-708-921-01	IC CXD9883M	
IC3150	6-708-921-01	IC CXD9883M	
IC3200	6-708-921-01	IC CXD9883M	
IC3250	6-708-921-01	IC CXD9883M	
IC3300	6-708-921-01	IC CXD9883M	
IC3400	6-708-921-01	IC CXD9883M	
IC3500	6-708-921-01	IC CXD9883M (DX255)	
< SHORT >			
JC508	1-216-864-11	SHORT CHIP	0 (DX155)
JC509	1-216-864-11	SHORT CHIP	0 (DX255)
JC511	1-216-864-11	SHORT CHIP	0 (DX155: SP)
JC512	1-216-864-11	SHORT CHIP	0 (DX155: E3)
JC513	1-216-864-11	SHORT CHIP	0 (DX155: AUS)
JC515	1-216-864-11	SHORT CHIP	0 (DX155: US, CND/DX255)
JC517	1-216-864-11	SHORT CHIP	0 (DX155: MX)
< COIL >			
L2200	1-414-754-11	INDUCTOR	10uH
L2201	1-216-295-91	SHORT CHIP	0
L3000	1-469-527-91	INDUCTOR	47uH
L3051	1-414-754-11	INDUCTOR	10uH
L3052	1-414-754-11	INDUCTOR	10uH
L3053	1-414-754-11	INDUCTOR	10uH
L3054	1-412-939-11	INDUCTOR	1uH
L3111	1-456-680-11	INDUCTOR	10uH
L3112	1-456-680-11	INDUCTOR	10uH
L3151	1-456-680-11	INDUCTOR	10uH
L3152	1-456-680-11	INDUCTOR	10uH
L3201	1-456-680-11	INDUCTOR	10uH
L3202	1-456-680-11	INDUCTOR	10uH
L3251	1-456-680-11	INDUCTOR	10uH
L3252	1-456-680-11	INDUCTOR	10uH
L3301	1-456-680-11	INDUCTOR	10uH

Ref. No.	Part No.	Description	Remark
L3302	1-456-680-11	INDUCTOR	10uH
L3401	1-456-680-11	INDUCTOR	10uH
L3402	1-456-680-11	INDUCTOR	10uH
L3501	1-456-680-11	INDUCTOR	10uH (DX255)
L3502	1-456-680-11	INDUCTOR	10uH (DX255)
< TRANSISTOR >			
Q502	6-550-718-01	TRANSISTOR	RSR025N03TL
Q506	8-729-120-28	TRANSISTOR	2SC3052EF-T1-LEF
Q1101	6-550-008-01	TRANSISTOR	UM6K1N-TN
Q1102	6-550-653-01	TRANSISTOR	QST8TR
Q1103	8-729-027-52	TRANSISTOR	RT1N241C-TP-1
Q3000	8-729-142-48	TRANSISTOR	2SD1616-TP-LK
Q3001	8-729-120-28	TRANSISTOR	2SC3052EF-T1-LEF
Q3002	8-729-120-28	TRANSISTOR	2SC3052EF-T1-LEF
Q3081	8-729-027-23	TRANSISTOR	RT1P141C-TP-1
Q3101	8-729-600-22	TRANSISTOR	2SA1235TP-1EF
Q3102	8-729-600-22	TRANSISTOR	2SA1235TP-1EF
Q3151	8-729-600-22	TRANSISTOR	2SA1235TP-1EF
Q3152	8-729-600-22	TRANSISTOR	2SA1235TP-1EF
Q3201	8-729-600-22	TRANSISTOR	2SA1235TP-1EF
Q3202	8-729-600-22	TRANSISTOR	2SA1235TP-1EF
Q3251	8-729-600-22	TRANSISTOR	2SA1235TP-1EF
Q3252	8-729-600-22	TRANSISTOR	2SA1235TP-1EF
Q3301	8-729-600-22	TRANSISTOR	2SA1235TP-1EF
Q3302	8-729-600-22	TRANSISTOR	2SA1235TP-1EF
Q3401	8-729-600-22	TRANSISTOR	2SA1235TP-1EF
Q3402	8-729-600-22	TRANSISTOR	2SA1235TP-1EF
Q3551	8-729-120-28	TRANSISTOR	2SC3052EF-T1-LEF
< RESISTOR >			
R506	1-216-821-11	METAL CHIP	1K 5% 1/10W
R507	1-216-841-11	METAL CHIP	47K 5% 1/10W
R513	1-216-821-11	METAL CHIP	1K 5% 1/10W
R515	1-216-821-11	METAL CHIP	1K 5% 1/10W
R519	1-216-809-11	METAL CHIP	100 5% 1/10W
R524	1-216-833-11	METAL CHIP	10K 5% 1/10W
R577	1-216-821-11	METAL CHIP	1K 5% 1/10W (DX155)
R577	1-216-827-11	METAL CHIP	3.3K 5% 1/10W (DX255)
R585	1-216-809-11	METAL CHIP	100 5% 1/10W
R586	1-216-809-11	METAL CHIP	100 5% 1/10W
R587	1-216-809-11	METAL CHIP	100 5% 1/10W
R588	1-216-809-11	METAL CHIP	100 5% 1/10W
R589	1-216-809-11	METAL CHIP	100 5% 1/10W
R590	1-216-809-11	METAL CHIP	100 5% 1/10W
R591	1-216-809-11	METAL CHIP	100 5% 1/10W
R592	1-216-833-11	METAL CHIP	10K 5% 1/10W
R593	1-216-833-11	METAL CHIP	10K 5% 1/10W
R594	1-216-809-11	METAL CHIP	100 5% 1/10W
R595	1-216-809-11	METAL CHIP	100 5% 1/10W
R596	1-216-821-11	METAL CHIP	1K 5% 1/10W (DX155: SP)
R596	1-216-833-11	METAL CHIP	10K 5% 1/10W (DX155: E3)
R596	1-216-835-11	METAL CHIP	15K 5% 1/10W (DX155: AUS)

☆ New part of EEPROM (IC1103) on the MAIN board cannot be used. Therefore, if the mounted MAIN board (A-1151-985-A, etc.) is replaced, exchange new EEPROM (IC1103) with that used before the replacement.

Ref. No.	Part No.	Description	Remark			Ref. No.	Part No.	Description	Remark		
R596	1-216-841-11	METAL CHIP	47K	5%	1/10W (DX155: US, CND, MX/DX255)	R789	1-216-809-11	METAL CHIP	100	5%	1/10W
R597	1-216-809-11	METAL CHIP	100	5%	1/10W	R790	1-216-809-11	METAL CHIP	100	5%	1/10W
R598	1-216-809-11	METAL CHIP	100	5%	1/10W	R791	1-216-809-11	METAL CHIP	100	5%	1/10W
R601	1-216-809-11	METAL CHIP	100	5%	1/10W	R792	1-216-833-11	METAL CHIP	10K	5%	1/10W (DX155: MX)
R608	1-216-809-11	METAL CHIP	100	5%	1/10W	R792	1-216-837-11	METAL CHIP	22K	5%	1/10W (DX155: US, CND/DX255)
R612	1-216-833-11	METAL CHIP	10K	5%	1/10W	R792	1-216-841-11	METAL CHIP	47K	5%	1/10W (DX155: E3, AUS)
R614	1-216-833-11	METAL CHIP	10K	5%	1/10W	R793	1-216-841-11	METAL CHIP	47K	5%	1/10W (DX255)
R616	1-216-833-11	METAL CHIP	10K	5%	1/10W	R1101	1-216-809-11	METAL CHIP	100	5%	1/10W
R620	1-216-809-11	METAL CHIP	100	5%	1/10W	R1105	1-216-833-11	METAL CHIP	10K	5%	1/10W
R622	1-216-833-11	METAL CHIP	10K	5%	1/10W	R1106	1-216-833-11	METAL CHIP	10K	5%	1/10W
R624	1-216-833-11	METAL CHIP	10K	5%	1/10W	R1107	1-216-833-11	METAL CHIP	10K	5%	1/10W
R628	1-216-821-11	METAL CHIP	1K	5%	1/10W	R1108	1-216-857-11	METAL CHIP	1M	5%	1/10W
R657	1-216-841-11	METAL CHIP	47K	5%	1/10W	R1109	1-216-864-11	SHORT CHIP	0		
R659	1-216-845-11	METAL CHIP	100K	5%	1/10W	R1110	1-216-841-11	METAL CHIP	47K	5%	1/10W
R662	1-216-841-11	METAL CHIP	47K	5%	1/10W	R1111	1-216-809-11	METAL CHIP	100	5%	1/10W
R664	1-216-813-11	METAL CHIP	220	5%	1/10W	R1112	1-211-977-11	METAL CHIP	22	0.5%	1/10W
R665	1-216-813-11	METAL CHIP	220	5%	1/10W	R1113	1-211-977-11	METAL CHIP	22	0.5%	1/10W
R666	1-216-813-11	METAL CHIP	220	5%	1/10W	R1114	1-216-845-11	METAL CHIP	100K	5%	1/10W
R670	1-216-809-11	METAL CHIP	100	5%	1/10W	R1115	1-211-977-11	METAL CHIP	22	0.5%	1/10W
R672	1-216-809-11	METAL CHIP	100	5%	1/10W	R1116	1-216-821-11	METAL CHIP	1K	5%	1/10W
R673	1-216-833-11	METAL CHIP	10K	5%	1/10W	R1117	1-216-841-11	METAL CHIP	47K	5%	1/10W
R676	1-216-833-11	METAL CHIP	10K	5%	1/10W	R1118	1-216-801-11	METAL CHIP	22	5%	1/10W
R678	1-216-809-11	METAL CHIP	100	5%	1/10W	R1120	1-216-801-11	METAL CHIP	22	5%	1/10W
R681	1-216-809-11	METAL CHIP	100	5%	1/10W	R1121	1-216-801-11	METAL CHIP	22	5%	1/10W
R682	1-216-813-11	METAL CHIP	220	5%	1/10W	R1123	1-216-864-11	SHORT CHIP	0		
R683	1-216-809-11	METAL CHIP	100	5%	1/10W	R1124	1-216-841-11	METAL CHIP	47K	5%	1/10W
R692	1-216-809-11	METAL CHIP	100	5%	1/10W	R1126	1-216-829-11	METAL CHIP	4.7K	5%	1/10W
R693	1-216-809-11	METAL CHIP	100	5%	1/10W	R1132	1-216-845-11	METAL CHIP	100K	5%	1/10W
R702	1-216-833-11	METAL CHIP	10K	5%	1/10W	R1136	1-216-835-11	METAL CHIP	15K	5%	1/10W
R703	1-216-809-11	METAL CHIP	100	5%	1/10W	R1141	1-218-916-11	METAL CHIP	750K	5%	1/10W
R704	1-216-809-11	METAL CHIP	100	5%	1/10W	R1142	1-216-845-11	METAL CHIP	100K	5%	1/10W
R706	1-216-809-11	METAL CHIP	100	5%	1/10W	R1144	1-216-864-11	SHORT CHIP	0		
R707	1-216-809-11	METAL CHIP	100	5%	1/10W	R1145	1-216-864-11	SHORT CHIP	0		
R708	1-216-833-11	METAL CHIP	10K	5%	1/10W	R1146	1-216-805-11	METAL CHIP	47	5%	1/10W
R709	1-216-833-11	METAL CHIP	10K	5%	1/10W	R1147	1-216-864-11	SHORT CHIP	0		
R710	1-216-809-11	METAL CHIP	100	5%	1/10W	R1148	1-216-864-11	SHORT CHIP	0		
R713	1-216-864-11	SHORT CHIP	0			R1151	1-216-833-11	METAL CHIP	10K	5%	1/10W
R717	1-216-833-11	METAL CHIP	10K	5%	1/10W	R1152	1-216-864-11	SHORT CHIP	0		
R719	1-216-833-11	METAL CHIP	10K	5%	1/10W	R1153	1-216-864-11	SHORT CHIP	0		
R720	1-216-833-11	METAL CHIP	10K	5%	1/10W	R1154	1-216-809-11	METAL CHIP	100	5%	1/10W
R725	1-216-833-11	METAL CHIP	10K	5%	1/10W	R1155	1-216-809-11	METAL CHIP	100	5%	1/10W
R726	1-216-821-11	METAL CHIP	1K	5%	1/10W	R1156	1-216-809-11	METAL CHIP	100	5%	1/10W
R727	1-216-833-11	METAL CHIP	10K	5%	1/10W	R1159	1-216-805-11	METAL CHIP	47	5%	1/10W
R728	1-216-821-11	METAL CHIP	1K	5%	1/10W	R1160	1-216-864-11	SHORT CHIP	0		
R729	1-216-829-11	METAL CHIP	4.7K	5%	1/10W	R1161	1-216-864-11	SHORT CHIP	0		
R730	1-216-829-11	METAL CHIP	4.7K	5%	1/10W	R1164	1-216-864-11	SHORT CHIP	0		
R733	1-216-833-11	METAL CHIP	10K	5%	1/10W	R1168	1-216-833-11	METAL CHIP	10K	5%	1/10W
R739	1-216-833-11	METAL CHIP	10K	5%	1/10W	R1171	1-216-864-11	SHORT CHIP	0		
R741	1-216-833-11	METAL CHIP	10K	5%	1/10W	R1176	1-216-864-11	SHORT CHIP	0		
R742	1-216-833-11	METAL CHIP	10K	5%	1/10W	R1180	1-216-805-11	METAL CHIP	47	5%	1/10W
R743	1-216-833-11	METAL CHIP	10K	5%	1/10W	R1181	1-216-805-11	METAL CHIP	47	5%	1/10W
R744	1-216-833-11	METAL CHIP	10K	5%	1/10W	R1182	1-216-805-11	METAL CHIP	47	5%	1/10W
R746	1-216-833-11	METAL CHIP	10K	5%	1/10W	R1191	1-216-821-11	METAL CHIP	1K	5%	1/10W
R755	1-216-821-11	METAL CHIP	1K	5%	1/10W	R1193	1-216-821-11	METAL CHIP	1K	5%	1/10W
R756	1-216-821-11	METAL CHIP	1K	5%	1/10W	R1204	1-216-822-11	METAL CHIP	1.2K	5%	1/10W
R774	1-216-821-11	METAL CHIP	1K	5%	1/10W						
R775	1-216-841-11	METAL CHIP	47K	5%	1/10W						

# HCD-DX155/DX255

## MAIN

Ref. No.	Part No.	Description	Remark	Ref. No.	Part No.	Description	Remark
R1205	1-216-833-11	METAL CHIP	10K 5% 1/10W	R2151	1-216-827-11	METAL CHIP	3.3K 5% 1/10W
R1206	1-216-833-11	METAL CHIP	10K 5% 1/10W	R2152	1-216-827-11	METAL CHIP	3.3K 5% 1/10W
R1207	1-216-826-11	METAL CHIP	2.7K 5% 1/10W	R2161	1-216-864-11	SHORT CHIP	0
R1208	1-216-839-11	METAL CHIP	33K 5% 1/10W	R2168	1-216-815-11	METAL CHIP	330 5% 1/10W
R1209	1-216-839-11	METAL CHIP	33K 5% 1/10W	R2176	1-216-864-11	SHORT CHIP	0
R1210	1-216-841-11	METAL CHIP	47K 5% 1/10W	R2200	1-216-809-11	METAL CHIP	100 5% 1/10W
R1212	1-216-833-11	METAL CHIP	10K 5% 1/10W	R2202	1-216-817-11	METAL CHIP	470 5% 1/10W
R1213	1-218-867-11	METAL CHIP	6.8K 5% 1/10W	R2203	1-216-817-11	METAL CHIP	470 5% 1/10W
R1214	1-216-835-11	METAL CHIP	15K 5% 1/10W	R2211	1-216-809-11	METAL CHIP	100 5% 1/10W
R1215	1-216-834-11	METAL CHIP	12K 5% 1/10W	R2212	1-216-809-11	METAL CHIP	100 5% 1/10W
R1216	1-216-834-11	METAL CHIP	12K 5% 1/10W	R2213	1-216-809-11	METAL CHIP	100 5% 1/10W
R1219	1-216-838-11	METAL CHIP	27K 5% 1/10W	R2214	1-216-809-11	METAL CHIP	100 5% 1/10W
R1220	1-216-833-11	METAL CHIP	10K 5% 1/10W	R2306	1-216-864-11	SHORT CHIP	0
R1221	1-218-889-11	METAL CHIP	56K 0.5% 1/10W	R2307	1-216-864-11	SHORT CHIP	0
R1223	1-218-895-11	METAL CHIP	100K 0.5% 1/10W	R2308	1-216-864-11	SHORT CHIP	0
R1224	1-216-833-11	METAL CHIP	10K 5% 1/10W	R2309	1-216-864-11	SHORT CHIP	0
R1225	1-218-895-11	METAL CHIP	100K 0.5% 1/10W	R2310	1-216-864-11	SHORT CHIP	0
R1226	1-218-889-11	METAL CHIP	56K 0.5% 1/10W	R2311	1-216-864-11	SHORT CHIP	0
R1230	1-218-893-11	METAL CHIP	82K 0.5% 1/10W	R2314	1-216-864-11	SHORT CHIP	0
R1231	1-218-875-11	METAL CHIP	15K 0.5% 1/10W	R2315	1-216-864-11	SHORT CHIP	0
R1232	1-218-877-11	METAL CHIP	18K 0.5% 1/10W	R2316	1-216-864-11	SHORT CHIP	0
R1233	1-218-883-11	METAL CHIP	33K 0.5% 1/10W	R2317	1-216-864-11	SHORT CHIP	0
R1234	1-216-833-11	METAL CHIP	10K 5% 1/10W	R2318	1-216-864-11	SHORT CHIP	0
R1246	1-216-829-11	METAL CHIP	4.7K 5% 1/10W	R2319	1-216-864-11	SHORT CHIP	0
R1247	1-216-821-11	METAL CHIP	1K 5% 1/10W	R2506	1-216-864-11	SHORT CHIP	0
R1504	1-216-829-11	METAL CHIP	4.7K 5% 1/10W	R2546	1-216-827-11	METAL CHIP	3.3K 5% 1/10W
R2101	1-216-825-11	METAL CHIP	2.2K 5% 1/10W	R2547	1-216-829-11	METAL CHIP	4.7K 5% 1/10W
R2103	1-216-833-11	METAL CHIP	10K 5% 1/10W	R2548	1-216-829-11	METAL CHIP	4.7K 5% 1/10W
R2104	1-216-833-11	METAL CHIP	10K 5% 1/10W	R2549	1-216-829-11	METAL CHIP	4.7K 5% 1/10W
R2105	1-216-833-11	METAL CHIP	10K 5% 1/10W	R2550	1-216-829-11	METAL CHIP	4.7K 5% 1/10W
R2109	1-216-864-11	SHORT CHIP	0	R2551	1-216-829-11	METAL CHIP	4.7K 5% 1/10W
R2110	1-216-826-11	METAL CHIP	2.7K 5% 1/10W	R2553	1-216-864-11	SHORT CHIP	0
R2114	1-216-809-11	METAL CHIP	100 5% 1/10W	R2554	1-216-829-11	METAL CHIP	4.7K 5% 1/10W
R2115	1-216-809-11	METAL CHIP	100 5% 1/10W	R3001	1-216-833-11	METAL CHIP	10K 5% 1/10W
R2120	1-216-864-11	SHORT CHIP	0 (DX155: E3, SP, AUS)	R3002	1-216-833-11	METAL CHIP	10K 5% 1/10W
R2120	1-469-118-21	FERRITE, EMI (SMD) (1608)	(DX155: US, CND, MX/DX255)	R3003	1-216-823-11	METAL CHIP	1.5K 5% 1/10W
R2121	1-216-864-11	SHORT CHIP	0 (DX155: E3, SP, AUS)	R3004	1-216-822-11	METAL CHIP	1.2K 5% 1/10W
R2121	1-469-118-21	FERRITE, EMI (SMD) (1608)	(DX155: US, CND, MX/DX255)	R3006	1-216-825-11	METAL CHIP	2.2K 5% 1/10W
R2122	1-216-864-11	SHORT CHIP	0 (DX155: E3, SP, AUS)	R3011	1-216-817-11	METAL CHIP	470 5% 1/10W
R2122	1-469-118-21	FERRITE, EMI (SMD) (1608)	(DX155: US, CND, MX/DX255)	R3012	1-216-817-11	METAL CHIP	470 5% 1/10W
R2123	1-216-864-11	SHORT CHIP	0 (DX155: E3, SP, AUS)	R3013	1-216-833-11	METAL CHIP	10K 5% 1/10W
R2123	1-469-118-21	FERRITE, EMI (SMD) (1608)	(DX155: US, CND, MX/DX255)	R3014	1-216-809-11	METAL CHIP	100 5% 1/10W
R2124	1-216-864-11	SHORT CHIP	0 (DX155: E3, SP, AUS)	R3015	1-216-809-11	METAL CHIP	100 5% 1/10W
R2124	1-469-118-21	FERRITE, EMI (SMD) (1608)	(DX155: US, CND, MX/DX255)	R3017	1-216-809-11	METAL CHIP	100 5% 1/10W
R2125	1-216-864-11	SHORT CHIP	0 (DX155: E3, SP, AUS)	R3021	1-216-817-11	METAL CHIP	470 5% 1/10W
R2125	1-469-118-21	FERRITE, EMI (SMD) (1608)	(DX155: US, CND, MX/DX255)	R3022	1-216-817-11	METAL CHIP	470 5% 1/10W
R2126	1-216-833-11	METAL CHIP	10K 5% 1/10W	R3023	1-216-809-11	METAL CHIP	100 5% 1/10W
R2129	1-216-845-11	METAL CHIP	100K 5% 1/10W	R3024	1-216-809-11	METAL CHIP	100 5% 1/10W
R2133	1-216-864-11	SHORT CHIP	0	R3026	1-216-809-11	METAL CHIP	100 5% 1/10W
R2134	1-216-864-11	SHORT CHIP	0	R3031	1-216-817-11	METAL CHIP	470 5% 1/10W
R2150	1-216-827-11	METAL CHIP	3.3K 5% 1/10W	R3032	1-216-817-11	METAL CHIP	470 5% 1/10W
				R3033	1-216-833-11	METAL CHIP	10K 5% 1/10W
				R3034	1-216-809-11	METAL CHIP	100 5% 1/10W
				R3035	1-216-809-11	METAL CHIP	100 5% 1/10W
				R3037	1-216-809-11	METAL CHIP	100 5% 1/10W
				R3050	1-216-864-11	SHORT CHIP	0
				R3052	1-216-857-11	METAL CHIP	1M 5% 1/10W
				R3053	1-216-809-11	METAL CHIP	100 5% 1/10W

Ref. No.	Part No.	Description	Remark	Ref. No.	Part No.	Description	Remark
R3054	1-216-801-11	METAL CHIP	22 5% 1/10W	R3153	1-216-797-11	METAL CHIP	10 5% 1/10W
R3055	1-216-809-11	METAL CHIP	100 5% 1/10W	R3154	1-216-864-11	SHORT CHIP	0
R3057	1-216-809-11	METAL CHIP	100 5% 1/10W	R3157	1-216-835-11	METAL CHIP	15K 5% 1/10W
R3059	1-216-833-11	METAL CHIP	10K 5% 1/10W	R3165	1-216-797-11	METAL CHIP	10 5% 1/10W
R3060	1-216-833-11	METAL CHIP	10K 5% 1/10W	R3166	1-216-797-11	METAL CHIP	10 5% 1/10W
R3061	1-216-864-11	SHORT CHIP	0	R3169	1-216-136-00	RES-CHIP	2.7 5% 1/8W
R3062	1-216-809-11	METAL CHIP	100 5% 1/10W	R3170	1-216-136-00	RES-CHIP	2.7 5% 1/8W
R3063	1-216-821-11	METAL CHIP	1K 5% 1/10W	R3171	1-216-833-11	METAL CHIP	10K 5% 1/10W
R3064	1-216-821-11	METAL CHIP	1K 5% 1/10W	R3172	1-216-833-11	METAL CHIP	10K 5% 1/10W
R3065	1-216-821-11	METAL CHIP	1K 5% 1/10W	R3173	1-216-833-11	METAL CHIP	10K 5% 1/10W
R3066	1-216-809-11	METAL CHIP	100 5% 1/10W	R3174	1-216-833-11	METAL CHIP	10K 5% 1/10W
R3067	1-216-809-11	METAL CHIP	100 5% 1/10W	R3175	1-216-845-11	METAL CHIP	100K 5% 1/10W
R3068	1-216-809-11	METAL CHIP	100 5% 1/10W	R3176	1-216-845-11	METAL CHIP	100K 5% 1/10W
R3069	1-216-809-11	METAL CHIP	100 5% 1/10W	R3177	1-216-845-11	METAL CHIP	100K 5% 1/10W
R3070	1-216-809-11	METAL CHIP	100 5% 1/10W	R3201	1-216-809-11	METAL CHIP	100 5% 1/10W
R3071	1-216-809-11	METAL CHIP	100 5% 1/10W	R3202	1-216-809-11	METAL CHIP	100 5% 1/10W
R3072	1-216-809-11	METAL CHIP	100 5% 1/10W	R3203	1-216-797-11	METAL CHIP	10 5% 1/10W
R3073	1-216-809-11	METAL CHIP	100 5% 1/10W	R3204	1-216-864-11	SHORT CHIP	0
R3075	1-216-809-11	METAL CHIP	100 5% 1/10W	R3207	1-216-835-11	METAL CHIP	15K 5% 1/10W
R3076	1-216-809-11	METAL CHIP	100 5% 1/10W	R3215	1-216-797-11	METAL CHIP	10 5% 1/10W
R3077	1-216-809-11	METAL CHIP	100 5% 1/10W	R3216	1-216-797-11	METAL CHIP	10 5% 1/10W
R3078	1-216-809-11	METAL CHIP	100 5% 1/10W	R3219	1-216-136-00	RES-CHIP	2.7 5% 1/8W
R3079	1-216-809-11	METAL CHIP	100 5% 1/10W	R3220	1-216-136-00	RES-CHIP	2.7 5% 1/8W
R3080	1-216-845-11	METAL CHIP	100K 5% 1/10W	R3221	1-216-833-11	METAL CHIP	10K 5% 1/10W
R3085	1-216-839-11	METAL CHIP	33K 5% 1/10W	R3222	1-216-833-11	METAL CHIP	10K 5% 1/10W
R3086	1-216-839-11	METAL CHIP	33K 5% 1/10W	R3223	1-216-833-11	METAL CHIP	10K 5% 1/10W
R3087	1-216-837-11	METAL CHIP	22K 5% 1/10W	R3224	1-216-833-11	METAL CHIP	10K 5% 1/10W
R3088	1-216-837-11	METAL CHIP	22K 5% 1/10W	R3225	1-216-845-11	METAL CHIP	100K 5% 1/10W
R3089	1-216-837-11	METAL CHIP	22K 5% 1/10W	R3226	1-216-845-11	METAL CHIP	100K 5% 1/10W
R3090	1-216-837-11	METAL CHIP	22K 5% 1/10W	R3227	1-216-845-11	METAL CHIP	100K 5% 1/10W
R3091	1-216-837-11	METAL CHIP	22K 5% 1/10W	R3251	1-216-809-11	METAL CHIP	100 5% 1/10W
R3092	1-216-837-11	METAL CHIP	22K 5% 1/10W	R3252	1-216-809-11	METAL CHIP	100 5% 1/10W
R3093	1-216-837-11	METAL CHIP	22K 5% 1/10W	R3253	1-216-797-11	METAL CHIP	10 5% 1/10W
R3094	1-216-837-11	METAL CHIP	22K 5% 1/10W	R3254	1-216-864-11	SHORT CHIP	0
R3095	1-216-825-11	METAL CHIP	2.2K 5% 1/10W	R3257	1-216-835-11	METAL CHIP	15K 5% 1/10W
R3096	1-216-825-11	METAL CHIP	2.2K 5% 1/10W	R3265	1-216-797-11	METAL CHIP	10 5% 1/10W
R3097	1-216-809-11	METAL CHIP	100 5% 1/10W	R3266	1-216-797-11	METAL CHIP	10 5% 1/10W
R3098	1-216-837-11	METAL CHIP	22K 5% 1/10W	R3269	1-216-136-00	RES-CHIP	2.7 5% 1/8W
R3099	1-216-837-11	METAL CHIP	22K 5% 1/10W	R3270	1-216-136-00	RES-CHIP	2.7 5% 1/8W
R3101	1-216-809-11	METAL CHIP	100 5% 1/10W	R3271	1-216-833-11	METAL CHIP	10K 5% 1/10W
R3102	1-216-809-11	METAL CHIP	100 5% 1/10W	R3272	1-216-833-11	METAL CHIP	10K 5% 1/10W
R3103	1-216-797-11	METAL CHIP	10 5% 1/10W	R3273	1-216-833-11	METAL CHIP	10K 5% 1/10W
R3104	1-216-864-11	SHORT CHIP	0	R3274	1-216-833-11	METAL CHIP	10K 5% 1/10W
R3107	1-216-835-11	METAL CHIP	15K 5% 1/10W	R3275	1-216-845-11	METAL CHIP	100K 5% 1/10W
R3115	1-216-797-11	METAL CHIP	10 5% 1/10W	R3276	1-216-845-11	METAL CHIP	100K 5% 1/10W
R3116	1-216-797-11	METAL CHIP	10 5% 1/10W	R3277	1-216-845-11	METAL CHIP	100K 5% 1/10W
R3119	1-216-136-00	RES-CHIP	2.7 5% 1/8W	R3301	1-216-809-11	METAL CHIP	100 5% 1/10W
R3120	1-216-136-00	RES-CHIP	2.7 5% 1/8W	R3302	1-216-809-11	METAL CHIP	100 5% 1/10W
R3121	1-216-833-11	METAL CHIP	10K 5% 1/10W	R3303	1-216-797-11	METAL CHIP	10 5% 1/10W
R3122	1-216-833-11	METAL CHIP	10K 5% 1/10W	R3304	1-216-864-11	SHORT CHIP	0
R3123	1-216-833-11	METAL CHIP	10K 5% 1/10W	R3307	1-216-835-11	METAL CHIP	15K 5% 1/10W
R3124	1-216-833-11	METAL CHIP	10K 5% 1/10W	R3315	1-216-797-11	METAL CHIP	10 5% 1/10W
R3125	1-216-845-11	METAL CHIP	100K 5% 1/10W	R3316	1-216-797-11	METAL CHIP	10 5% 1/10W
R3126	1-216-845-11	METAL CHIP	100K 5% 1/10W	R3319	1-216-136-00	RES-CHIP	2.7 5% 1/8W
R3127	1-216-845-11	METAL CHIP	100K 5% 1/10W	R3320	1-216-136-00	RES-CHIP	2.7 5% 1/8W
R3151	1-216-809-11	METAL CHIP	100 5% 1/10W	R3321	1-216-833-11	METAL CHIP	10K 5% 1/10W
R3152	1-216-809-11	METAL CHIP	100 5% 1/10W	R3322	1-216-833-11	METAL CHIP	10K 5% 1/10W
				R3323	1-216-833-11	METAL CHIP	10K 5% 1/10W

# HCD-DX155/DX255

Ver. 1.2

**MAIN** **MOTOR** **POWER**

Ref. No.	Part No.	Description	Remark
R3324	1-216-833-11	METAL CHIP 10K	5% 1/10W
R3325	1-216-845-11	METAL CHIP 100K	5% 1/10W
R3326	1-216-845-11	METAL CHIP 100K	5% 1/10W
R3327	1-216-845-11	METAL CHIP 100K	5% 1/10W
R3401	1-216-809-11	METAL CHIP 100	5% 1/10W
R3402	1-216-809-11	METAL CHIP 100	5% 1/10W
R3403	1-216-797-11	METAL CHIP 10	5% 1/10W
R3404	1-216-864-11	SHORT CHIP 0	
R3407	1-216-835-11	METAL CHIP 15K	5% 1/10W
R3415	1-216-797-11	METAL CHIP 10	5% 1/10W
R3416	1-216-797-11	METAL CHIP 10	5% 1/10W
R3419	1-216-136-00	RES-CHIP 2.7	5% 1/8W
R3420	1-216-136-00	RES-CHIP 2.7	5% 1/8W
R3421	1-216-833-11	METAL CHIP 10K	5% 1/10W
R3422	1-216-833-11	METAL CHIP 10K	5% 1/10W
R3423	1-216-833-11	METAL CHIP 10K	5% 1/10W
R3424	1-216-833-11	METAL CHIP 10K	5% 1/10W
R3425	1-216-845-11	METAL CHIP 100K	5% 1/10W
R3426	1-216-845-11	METAL CHIP 100K	5% 1/10W
R3427	1-216-845-11	METAL CHIP 100K	5% 1/10W
R3501	1-216-809-11	METAL CHIP 100	5% 1/10W (DX255)
R3502	1-216-809-11	METAL CHIP 100	5% 1/10W (DX255)
R3503	1-216-797-11	METAL CHIP 10	5% 1/10W (DX255)
R3504	1-216-864-11	SHORT CHIP 0	(DX255)
R3507	1-216-835-11	METAL CHIP 15K	5% 1/10W (DX255)
R3515	1-216-797-11	METAL CHIP 10	5% 1/10W (DX255)
R3516	1-216-797-11	METAL CHIP 10	5% 1/10W (DX255)
R3519	1-216-136-00	RES-CHIP 2.7	5% 1/8W (DX255)
R3520	1-216-136-00	RES-CHIP 2.7	5% 1/8W (DX255)
R3551	1-216-845-11	METAL CHIP 100K	5% 1/10W
R3553	1-216-833-11	METAL CHIP 10K	5% 1/10W
R3554	1-216-845-11	METAL CHIP 100K	5% 1/10W
R3555	1-216-864-11	SHORT CHIP 0	
R4002	1-216-864-11	SHORT CHIP 0	
< NETWORK RESISTOR >			
RB501	1-233-576-11	RES, CHIP NETWORK	100 (3216)
RB601	1-236-908-11	RES, CHIP NETWORK	10K (3216)
RB602	1-236-908-11	RES, CHIP NETWORK	10K (3216)
RB603	1-236-908-11	RES, CHIP NETWORK	10K (3216)
RB604	1-236-908-11	RES, CHIP NETWORK	10K (3216)
RB605	1-233-411-11	RES, CHIP NETWORK	220 (3216)
RB606	1-233-411-11	RES, CHIP NETWORK	220 (3216)
RB607	1-233-411-11	RES, CHIP NETWORK	220 (3216)
RB608	1-233-411-11	RES, CHIP NETWORK	220 (3216)
RB609	1-233-576-11	RES, CHIP NETWORK	100 (3216)
RB610	1-233-576-11	RES, CHIP NETWORK	100 (3216)
RB1103	1-234-372-11	RES, NETWORK	100 (1005X4)
RB1104	1-234-372-11	RES, NETWORK	100 (1005X4)
RB1105	1-234-372-11	RES, NETWORK	100 (1005X4)
RB1106	1-234-372-11	RES, NETWORK	100 (1005X4)

Ref. No.	Part No.	Description	Remark
RB1107	1-234-372-11	RES, NETWORK	100 (1005X4)
RB1108	1-234-372-11	RES, NETWORK	100 (1005X4)
RB1111	1-234-372-11	RES, NETWORK	100 (1005X4)
RB1112	1-234-371-21	RES, NETWORK	47 (1005X4)
RB1113	1-234-371-21	RES, NETWORK	47 (1005X4)
RB1114	1-234-372-11	RES, NETWORK	100 (1005X4)
RB1115	1-234-372-11	RES, NETWORK	100 (1005X4)
< VIBRATOR >			
X502	1-795-058-21	VIBRATOR, CERAMIC	5MHz
X1102	1-813-539-11	QUARTZ CRYSTAL UNIT	27MHz
X3051	1-795-660-21	QUARTZ CRYSTAL UNIT	49.152MHz
*****			
MOTOR BOARD			
*****			
< SWITCH >			
S761	1-786-704-11	SWITCH, LEVER (SUB TRY OUT)	
*****			
A-1144-950-A	POWER BOARD, COMPLETE		(DX155: E3, SP, AUS)
A-1146-005-A	POWER BOARD, COMPLETE		(DX155: US, CND/DX255)
A-1146-091-A	POWER BOARD, COMPLETE		(DX155: MX)
*****			
< CAPACITOR >			
△C901	1-165-529-11	MYLAR	0.22uF 10 275V
△C902	1-165-529-11	MYLAR	0.22uF 10 275V
△C903	1-112-330-11	ELECT (BLOCK)	1000uF 20% 200V (DX155: US, CND/DX255)
△C903	1-112-331-11	ELECT (BLOCK)	1000uF 20% 250V (DX155: MX)
△C903	1-112-333-11	ELECT (BLOCK)	330uF 20% 450V (DX155: E3, SP, AUS)
△C905	1-112-334-91	FILM	0.01uF 5% 400V (DX155: US, CND, MX/DX255)
△C905	1-112-335-91	FILM	0.0033uF 5% 400V (DX155: E3, SP, AUS)
△C906	1-117-815-31	FILM	1000PF 3% 1.5KV (DX155: E3, SP, AUS)
△C906	1-117-828-31	FILM	3300PF 3% 1.5KV (DX155: US, CND, MX/DX255)
△C907	1-162-964-11	CERAMIC CHIP	0.001uF 10% 50V (DX155: E3, SP, AUS)
△C907	1-162-965-11	CERAMIC CHIP	0.0015uF 10% 50V (DX155: US, CND, MX/DX255)
△C908	1-107-909-11	ELECT	47uF 20% 35V
△C909	1-162-960-11	CERAMIC CHIP	220PF 10% 50V
△C910	1-107-906-11	ELECT	10uF 20% 50V (DX155: US, CND, MX/DX255)
△C910	1-107-907-11	ELECT	22uF 20% 50V (DX155: E3, SP, AUS)
△C911	1-162-968-11	CERAMIC CHIP	0.0047uF 10% 50V
△C913	1-117-693-11	CERAMIC	100PF 10% 250V
△C918	1-113-925-11	CERAMIC	0.01uF 20% 250V
△C920	1-113-925-11	CERAMIC	0.01uF 20% 250V
△C922	1-128-560-11	ELECT	22uF 20% 100V

Ref. No.	Part No.	Description	Remark	Ref. No.	Part No.	Description	Remark
						< DIODE >	
△ C923	1-162-968-11	CERAMIC CHIP	0.0047uF 10% 50V	△ D901	8-719-082-57	DIODE D5SBA60F01	
△ C924	1-126-961-11	ELECT	2.2uF 20% 50V	△ D905	8-719-063-74	DIODE D1NL20U-TR2	
△ C925	1-107-974-81	CERAMIC	47PF 5% 2KV	△ D906	6-501-193-01	DIODE 1SS355WTE-17	
△ C928	1-113-896-11	CERAMIC	220PF 10% 250V	△ D907	6-501-193-01	DIODE 1SS355WTE-17	
△ C928	1-113-900-11	CERAMIC	470PF 10% 250V (DX155: E3, SP, AUS)	△ D908	6-501-193-01	DIODE 1SS355WTE-17	
△ C929	1-115-339-11	CERAMIC CHIP	0.1uF 10% 50V	△ D909	6-501-193-01	DIODE 1SS355WTE-17	
△ C930	1-117-693-11	CERAMIC	100PF 10% 250V	△ D910	6-501-193-01	DIODE 1SS355WTE-17	
C931	1-117-580-91	FILM	47000PF 5% 630V (DX155: MX)	△ D913	6-500-241-01	DIODE SARS03	
C932	1-100-924-21	ELECT	2200uF 20% 35V	△ D914	6-501-193-01	DIODE 1SS355WTE-17	
C933	1-100-924-21	ELECT	2200uF 20% 35V	△ D915	8-719-977-28	DIODE UDJSTE-1710B	
C934	1-112-831-11	ELECT	2200uF 20% 35V	△ D921	6-501-424-01	DIODE STO2D-140	
C935	1-165-319-11	CERAMIC CHIP	0.1uF 50V	△ D922	8-719-063-74	DIODE D1NL20U-TR2	
C936	1-165-319-11	CERAMIC CHIP	0.1uF 50V	△ D923	8-719-977-28	DIODE UDJSTE-1710B	
C937	1-100-756-91	CERAMIC CHIP	0.047uF 50V	△ D924	8-719-083-69	DIODE UDJSTE-1724B	
△ C938	1-113-898-11	CERAMIC	330PF 10% 250V (DX155: US, CND, MX/DX255)	△ D925	8-719-069-54	DIODE UDJSTE-175.1B	
△ C938	1-117-698-51	CERAMIC	680PF 10% 250V (DX155: E3, SP, AUS)	△ D926	8-719-977-28	DIODE UDJSTE-1710B	
C939	1-136-165-00	FILM	0.1uF 5% 50V	D931	6-501-413-01	DIODE FCU20UC20	
C940	1-128-947-31	ELECT	3300uF 20% 10V	D932	8-719-069-54	DIODE UDJSTE-175.1B	
C941	1-128-954-11	ELECT	1000uF 20% 25V	D941	6-500-288-11	DIODE EK19LF-F7	
C942	1-126-941-11	ELECT	470uF 20% 25V	D942	8-719-080-53	DIODE RK36LF-B3	
C943	1-126-933-11	ELECT	100uF 20% 16V	D943	8-719-080-53	DIODE RK36LF-B3	
C944	1-128-951-21	ELECT	2200uF 20% 16V	D944	6-500-288-11	DIODE EK19LF-F7	
C945	1-126-935-11	ELECT	470uF 20% 16V	D945	8-719-083-67	DIODE UDJSTE-1720B	
C946	1-128-950-21	ELECT	1000uF 20% 16V			< GROUND TERMINAL BOARD >	
C947	1-104-658-91	ELECT	100uF 20% 10V	EB901	1-537-770-21	TERMINAL BOARD, GROUND	
C948	1-126-925-91	ELECT	470uF 20% 10V	EB902	1-537-770-21	TERMINAL BOARD, GROUND	
C949	1-165-722-11	ELECT	100uF 20% 10V	EB903	1-537-770-21	TERMINAL BOARD, GROUND	
C951	1-100-566-91	CERAMIC CHIP	0.1uF 10% 25V	EB904	1-537-770-21	TERMINAL BOARD, GROUND	
C952	1-100-756-91	CERAMIC CHIP	0.047uF 50V			< FUSE HOLDER >	
C953	1-117-214-11	CERAMIC	0.001uF 10% 2KV	FH901	1-533-313-11	FUSE HOLDER 0A 0V	
C954	1-100-566-91	CERAMIC CHIP	0.1uF 10% 25V	FH902	1-533-313-11	FUSE HOLDER 0A 0V	
C955	1-100-566-91	CERAMIC CHIP	0.1uF 10% 25V			< FUSIBLE >	
C958	1-100-566-91	CERAMIC CHIP	0.1uF 10% 25V	△ FR901	1-220-886-11	FUSIBLE 0.1 10% 1W	
C960	1-100-566-91	CERAMIC CHIP	0.1uF 10% 25V	△ FR902	1-220-886-11	FUSIBLE 0.1 10% 1W	
△ C963	1-117-699-11	CERAMIC	0.001uF 99% 250V (DX155: E3, SP, AUS)			(DX155: US, CND, MX/DX255)	
△ C963	1-113-907-51	CERAMIC	0.0022uF 99% 250V (DX155: US, CND, MX/DX255)			< IC >	
△ C964	1-117-699-11	CERAMIC	0.001uF 99% 250V (DX155: E3, SP, AUS)	△ IC901	6-707-741-01	IC STR-F6138-LF1352 (DX155: US, CND, MX/DX255)	
△ C964	1-113-907-51	CERAMIC	0.0022uF 99% 250V (DX155: US, CND, MX/DX255)	△ IC901	6-707-742-01	IC STR-F6168-LF1352 (DX155: E3, SP, AUS)	
△ C965	1-117-699-11	CERAMIC	0.001uF 99% 250V (DX155: E3, SP, AUS)	△ IC921	6-707-740-01	IC STR-V153	
C967	1-100-566-91	CERAMIC CHIP	0.1uF 10% 25V	IC931	8-759-648-34	IC TA76431AS (TPE6)	
C968	1-100-566-91	CERAMIC CHIP	0.1uF 10% 25V	IC941	6-707-746-01	IC SI-3120KM-TL	
C969	1-100-566-91	CERAMIC CHIP	0.1uF 10% 25V	IC942	6-707-745-10	IC SI-3050KM-TL	
C970	1-100-566-91	CERAMIC CHIP	0.1uF 10% 25V	IC943	6-707-744-01	IC SI-3033KM-TL	
C971	1-100-566-91	CERAMIC CHIP	0.1uF 10% 25V	IC951	6-707-743-01	IC TA76L431S (TPE6, Q)	
C976	1-126-933-11	ELECT	100uF 20% 16V			< COIL >	
		< CONNECTOR >		L931	1-457-226-11	INDUCTOR 10uH	
CN901	1-564-321-00	PIN, CONNECTOR (3.96mm PITCH) 2P		L941	1-414-398-11	INDUCTOR 10uH	
				L942	1-414-398-11	INDUCTOR 10uH	
				L945	1-414-398-11	INDUCTOR 10uH	
				L947	1-414-398-11	INDUCTOR 10uH	

# HCD-DX155/DX255

## POWER

Ref. No.	Part No.	Description	Remark	Ref. No.	Part No.	Description	Remark
L948	1-414-398-11	INDUCTOR	10uH				
L951	1-414-398-11	INDUCTOR	10uH				
		< LINE FILTER >					
△ LF901	1-457-054-21	COIL, LINE FILTER	(DX155: US, CND, MX/DX255)	△ R929	1-249-478-11	CARBON	2.2 5% 1/2W
△ LF901	1-457-079-11	COIL, LINE FILTER	(DX155: E3, SP, AUS)	R931	1-218-859-11	METAL CHIP	3.3K 0.5% 1/10W
△ LF902	1-457-054-21	COIL, LINE FILTER	(DX155: US, CND, MX/DX255)	R932	1-218-883-11	METAL CHIP	33K 0.5% 1/10W
△ LF902	1-457-079-11	COIL, LINE FILTER	(DX155: E3, SP, AUS)	R933	1-216-829-11	METAL CHIP	4.7K 5% 1/10W
		< IC >		R934	1-216-821-11	METAL CHIP	1K 5% 1/10W
△ PC901	6-600-438-01	IC TLP421F (D4-GR)		△ R935	1-216-821-11	METAL CHIP	1K 5% 1/10W
△ PC902	6-600-438-01	IC TLP421F (D4-GR)		R936	1-216-853-11	METAL CHIP	470K 5% 1/10W
△ PC903	6-600-438-01	IC TLP421F (D4-GR)		R937	1-216-833-11	METAL CHIP	10K 5% 1/10W
		< TRANSISTOR >		R938	1-216-821-11	METAL CHIP	1K 5% 1/10W
△ Q901	8-729-140-04	TRANSISTOR	2SB1116A-TP-LK	R939	1-218-859-11	METAL CHIP	3.3K 0.5% 1/10W
△ Q921	8-729-142-51	TRANSISTOR	2SD1616A-TP-LK	R940	1-216-833-11	METAL CHIP	10K 5% 1/10W
Q943	1-801-806-11	TRANSISTOR	RT1N441C-TP-1	R941	1-216-864-11	SHORT CHIP	0
Q945	6-550-718-01	TRANSISTOR	RSR025N03TL	R943	1-216-864-11	SHORT CHIP	0
Q947	1-801-806-11	TRANSISTOR	RT1N441C-TP-1	R946	1-216-811-11	METAL CHIP	150 5% 1/10W
		< RESISTOR >		R948	1-216-833-11	METAL CHIP	10K 5% 1/10W
△ R901	1-219-759-11	METAL	1M 5% 1/2W (DX155: E3, SP, AUS)	R949	1-216-821-11	METAL CHIP	1K 5% 1/10W
△ R902	1-219-769-11	METAL	3.3M 5% 1/2W (DX155: US, CND, MX/DX255)	R951	1-218-831-11	METAL CHIP	220 0.5% 1/10W
△ R903	1-215-926-00	METAL OXIDE	33K 5% 3W (DX155: US, CND, MX/DX255)	R952	1-218-855-11	METAL CHIP	2.2K 0.5% 1/10W
△ R903	1-215-929-11	METAL OXIDE	100K 5% 3W (DX155: E3, SP, AUS)	R953	1-218-861-11	METAL CHIP	3.9K 0.5% 1/10W
△ R904	1-215-926-00	METAL OXIDE	33K 5% 3W (DX155: US, CND, MX/DX255)	R954	1-216-837-11	METAL CHIP	22K 5% 1/10W
△ R904	1-215-929-11	METAL OXIDE	100K 5% 3W (DX155: E3, SP, AUS)	R955	1-216-817-11	METAL CHIP	470 5% 1/10W
△ R905	1-216-797-11	METAL CHIP	10 5% 1/10W	R956	1-216-821-11	METAL CHIP	1K 5% 1/10W
△ R906	1-216-827-11	METAL CHIP	3.3K 5% 1/10W	R957	1-216-841-11	METAL CHIP	47K 5% 1/10W
△ R907	1-216-833-11	METAL CHIP	10K 5% 1/10W	R958	1-216-821-11	METAL CHIP	1K 5% 1/10W
△ R908	1-260-105-11	CARBON	3.3K 5% 1/2W	R965	1-218-865-11	METAL CHIP	5.6K 0.5% 1/10W
△ R909	1-216-845-11	METAL CHIP	100K 5% 1/10W	R966	1-216-821-11	METAL CHIP	1K 5% 1/10W
△ R910	1-216-825-11	METAL CHIP	2.2K 5% 1/10W	R967	1-216-821-11	METAL CHIP	1K 5% 1/10W
△ R911	1-216-813-11	METAL CHIP	220 5% 1/10W	R968	1-216-821-11	METAL CHIP	1K 5% 1/10W
△ R912	1-216-361-61	METAL OXIDE	0.22 5% 2W (DX155: US, CND, MX/DX255)	△ R969	1-216-821-11	METAL CHIP	1K 5% 1/10W
△ R912	1-216-363-00	METAL OXIDE	0.33 5% 2W (DX155: E3, SP, AUS)	R971	1-216-864-11	SHORT CHIP	0
△ R913	1-216-361-61	METAL OXIDE	0.22 5% 2W (DX155: US, CND, MX/DX255)	R974	1-216-827-11	METAL CHIP	3.3K 5% 1/10W
△ R914	1-219-718-11	METAL	0.1 10% 5W (DX155: E3, SP, AUS)			< TRANSFORMER >	
△ R914	1-243-669-11	METAL	0.05 5% 5W (DX155: US, CND, MX/DX255)	△ T901	1-443-649-11	TRANSFORMER, CONVERTER	(DX155: US, CND, MX/DX255)
△ R919	1-216-836-11	METAL CHIP	18K 5% 1/10W	△ T901	1-443-874-11	TRANSFORMER, CONVERTER	(DX155: E3, SP, AUS)
△ R922	1-216-793-11	METAL CHIP	4.7 5% 1/10W	△ T902	1-443-650-11	TRANSFORMER, CONVERTER	
△ R923	1-216-829-11	METAL CHIP	4.7K 5% 1/10W			< THERMISTOR >	
△ R925	1-216-797-11	METAL CHIP	10 5% 1/10W	△ TH901	1-805-841-21	THERMISTOR, NTC 3.0	(DX155: US, CND, MX/DX255)
△ R926	1-216-855-11	METAL CHIP	680K 5% 1/10W	△ TH901	1-805-842-21	THERMISTOR, NTC 6.0	(DX155: E3, SP, AUS)
△ R927	1-216-348-00	METAL OXIDE	0.82 5% 1W (DX155: US, CND, MX/DX255)			< VARISTOR >	
△ R927	1-216-349-00	METAL OXIDE	1 5% 1W (DX155: E3, SP, AUS)	△ VDR901	1-805-482-11	VARISTOR	*****



**RELAY** **SENSOR** **SPEAKER** **SW** **SW (1)** **SW (2)**

Ref. No.	Part No.	Description	Remark	Ref. No.	Part No.	Description	Remark
	A-4750-232-A	RELAY BOARD, COMPLETE *****		C313	1-163-021-91	CERAMIC CHIP 0.01uF 10%	50V
		< CAPACITOR >		C314	1-163-021-91	CERAMIC CHIP 0.01uF 10%	50V
C701	1-126-786-11	ELECT 47uF 20%	16V	C315	1-163-021-91	CERAMIC CHIP 0.01uF 10%	50V
C702	1-126-791-11	ELECT 10uF 20%	16V	C316	1-163-021-91	CERAMIC CHIP 0.01uF 10%	50V
C761	1-162-306-11	CERAMIC 0.01uF 30%	16V	C317	1-163-021-91	CERAMIC CHIP 0.01uF 10%	50V
C762	1-162-306-11	CERAMIC 0.01uF 30%	16V	C318	1-163-021-91	CERAMIC CHIP 0.01uF 10%	50V
		< CONNECTOR >		C319	1-163-021-91	CERAMIC CHIP 0.01uF 10%	50V
CN701	1-779-558-11	CONNECTOR, FFC (LIF (NON-ZIF)) 21P		C320	1-163-021-91	CERAMIC CHIP 0.01uF 10%	50V
		< DIODE >		C321	1-163-021-91	CERAMIC CHIP 0.01uF 10%	50V
D701	8-719-921-40	DIODE MTZJ-T-77-4.7B		C322	1-163-021-91	CERAMIC CHIP 0.01uF 10%	50V
D711	8-719-982-10	DIODE MTZJ-T-77-4.3A		C323	1-163-021-91	CERAMIC CHIP 0.01uF 10%	50V
		< IC >		C324	1-163-021-91	CERAMIC CHIP 0.01uF 10%	50V
IC701	8-759-598-69	IC BA6956AN				< CONNECTOR >	
IC711	8-759-598-69	IC BA6956AN		CN301	1-564-507-11	PLUG, CONNECTOR 4P	
		< TRANSISTOR >		CN302	1-564-320-00	PIN, CONNECTOR (3.96mm PITCH) 2P	
Q751	8-729-119-78	TRANSISTOR 2SC1740S-QRT		CN303	1-564-509-11	PLUG, CONNECTOR 6P	
		< RESISTOR >				< GROUND TERMINAL BOARD >	
R701	1-249-415-11	CARBON 680 5%	1/4W	EP301	1-537-770-21	TERMINAL BOARD, GROUND	
R702	1-247-807-31	CARBON 100 5%	1/4W	EP302	1-537-770-21	TERMINAL BOARD, GROUND	
R711	1-249-415-11	CARBON 680 5%	1/4W			< TERMINAL >	
R712	1-247-807-31	CARBON 100 5%	1/4W	TB301	1-780-344-11	TERMINAL BOARD (SPEAKER) 4P	
R751	1-247-806-11	CARBON 91 5%	1/4W	TB302	1-780-343-11	TERMINAL BOARD (SPEAKER) 2P	
R752	1-249-429-11	CARBON 10K 5%	1/4W			*****	
R753	1-249-429-11	CARBON 10K 5%	1/4W			SW BOARD	
R754	1-249-430-11	CARBON 12K 5%	1/4W			*****	
R755	1-249-429-11	CARBON 10K 5%	1/4W			< SWITCH >	
		*****		S801	1-762-875-21	SWITCH, KEYBOARD (I/⏻)	
		SENSOR BOARD				*****	
		*****				SW (1) BOARD	
		< IC >				*****	
IC751	8-759-989-76	IC RPR-359F				< SWITCH >	
		*****		S721	1-786-084-11	SWITCH, DETECTION (MAIN TRY IN/OUT)	
		SPEAKER BOARD				*****	
		*****				SW (2) BOARD	
		< CAPACITOR >				*****	
C301	1-162-964-11	CERAMIC CHIP 0.001uF 10%	50V			< SWITCH >	
C302	1-162-964-11	CERAMIC CHIP 0.001uF 10%	50V	S731	1-786-382-11	SWITCH, PUSH (1 KEY) (SUB TRY IN)	
C303	1-162-964-11	CERAMIC CHIP 0.001uF 10%	50V			*****	
C304	1-162-964-11	CERAMIC CHIP 0.001uF 10%	50V			MISCELLANEOUS	
C305	1-162-964-11	CERAMIC CHIP 0.001uF 10%	50V			*****	
C306	1-162-964-11	CERAMIC CHIP 0.001uF 10%	50V	4	1-693-702-11	TUNER (FM/AM) (TM10SE)	
C307	1-162-964-11	CERAMIC CHIP 0.001uF 10%	50V			(DX155: E3, MX, SP, AUS)	
C308	1-162-964-11	CERAMIC CHIP 0.001uF 10%	50V	4	1-693-703-11	TUNER (FM/AM) (TM10SU)	
C309	1-162-964-11	CERAMIC CHIP 0.001uF 10%	50V			(DX155: US, CND/DX255)	
C310	1-162-964-11	CERAMIC CHIP 0.001uF 10%	50V	8	1-787-331-11	FAN, D.C.	
C311	1-162-964-11	CERAMIC CHIP 0.001uF 10%	50V	9	1-828-953-11	WIRE (FLAT TYPE) (9 CORE)	
C312	1-162-964-11	CERAMIC CHIP 0.001uF 10%	50V	67	1-828-384-11	WIRE (FLAT TYPE) (23 CORE)	
				102	1-828-369-11	WIRE (FLAT TYPE) (21 CORE)	
				103	1-828-331-11	WIRE (FLAT TYPE) (13 CORE)	

# HCD-DX155/DX255

<u>Ref. No.</u>	<u>Part No.</u>	<u>Description</u>	<u>Remark</u>
104	1-828-301-11	WIRE (FLAT TYPE) (7 CORE)	
105	1-828-327-11	WIRE (FLAT TYPE) (13 CORE)	
△ 109	1-827-226-41	CORD, POWER (DX155: MX)	
△ 109	1-829-259-11	CORD, POWER (DX155: AUS)	
△ 109	1-830-188-11	CORD, POWER (DX155: E3, SP)	
△ 109	1-830-190-11	CORD, POWER (DX155: US, CND/DX255)	
116	1-828-774-51	WIRE (FLAT TYPE) (24CORE)	
△ 302	8-820-291-02	OPTICAL PICK-UP (KHM-310CAB/C2RP)	
△ F901	1-532-325-00	FUSE (T6.3AL/250V)(DX155: E3, SP, AUS)	
△ F901	1-532-749-11	FUSE, GLASS TUBE (DIA.5)(8A/125V) (DX155: US, CND, MX/DX255)	
M761	A-4713-174-A	MOTOR (81) ASSY (LD/ST MOTOR)	
M762	A-4713-174-A	MOTOR (81) ASSY (BU U/D MOTOR)	
S771	1-478-552-11	ENCODER, ROTARY (MD)	
S781	1-478-551-11	ENCODER, ROTARY (ST U/D ENCODER)	

MEMO

